



PowerSeeker® Series Telescopes

INSTRUCTION MANUAL

- *PowerSeeker 50AZ # 21039*
- *PowerSeeker 60AZ # 21041*
- *PowerSeeker 70AZ # 21036*
- *PowerSeeker 76AZ # 21044*

Table of Contents

| | |
|---|----|
| INTRODUCTION | 3 |
| ASSEMBLY | 6 |
| Setting up the Tripod | 6 |
| Attaching the Telescope Tube to the Mount..... | 7 |
| Moving the Telescope Manually | 8 |
| Installing the Diagonal & Eyepiece (Refractor) – 60AZ | 8 |
| Installing the Diagonal & Eyepiece (Refractor) – 50AZ | 8 |
| Installing the Eyepiece on the Newtonian | 9 |
| Installing & Using the Barlow Lens | 9 |
| Installing & Using the 1.5x Erecting Eyepiece – 50AZ | 9 |
| Installing the Finderscope | 10 |
| Aligning the Finderscope..... | 10 |
| TELESCOPE BASICS | 11 |
| Image Orientation | 12 |
| Focusing..... | 12 |
| Calculating Magnification | 12 |
| Determining Field of View | 13 |
| General Observing Hints..... | 13 |
| ASTRONOMY BASICS | 14 |
| The Celestial Coordinate System..... | 14 |
| Motion of the Stars..... | 15 |
| CELESTIAL OBSERVING | 16 |
| Observing the Moon | 16 |
| Observing the Planets | 16 |
| Observing the Sun..... | 16 |
| Observing Deep-Sky Objects..... | 17 |
| Seeing Conditions | 19 |
| ASTROPHOTOGRAPHY | 20 |
| Short Exposure Prime Focus Photography | 20 |
| Planetary & Lunar Photography with Special Imagers..... | 20 |
| CCD Imaging for Deep-Sky Objects | 20 |
| Terrestrial Photography | 20 |
| TELESCOPE MAINTENANCE | 21 |
| Care and Cleaning of the Optics | 21 |
| Collimation of a Newtonian..... | 21 |
| OPTIONAL ACCESSORIES | 24 |
| POWERSEEKER SPECIFICATIONS | 25 |

CELESTRON **Introduction**

Congratulations on your purchase of a PowerSeeker telescope. The PowerSeeker Series of telescopes come in several different models and this manual covers four models mounted on Alt-Az Mounts ((an altazimuth is the simplest type of mount with two motions – altitude (up & down) and azimuth (side-to-side)) --- 50mm refractor, 60mm refractor, 70mm refractor, and a 76mm Newtonian. The PowerSeeker Series is made of the highest quality materials to ensure stability and durability. All this adds up to a telescope that gives you a lifetime of pleasure with a minimal amount of maintenance.

These telescopes were designed for the First Time Buyer offering exceptional value. The PowerSeeker series features a compact and portable design with ample optical performance to excite any newcomer to the world of amateur astronomy. In addition, your PowerSeeker telescope is ideal for terrestrial observations which will open your eyes with its superb high power viewing.

PowerSeeker telescopes carry a **two year limited warranty**. For details see our website at www.celestron.com

Some of the many standard features of the PowerSeeker include:

- All coated glass optical elements for clear, crisp images.
- Smooth functioning, rigid altazimuth mount with easy pointing to located objects.
- Preassembled aluminum tripod ensures a stable platform.
- Quick and easy no-tool set up.
- CD-ROM “The SkyX -- astronomy software which provides education about the sky and printable sky maps.
- All models can be used terrestrially as well as astronomically with the standard accessories included.

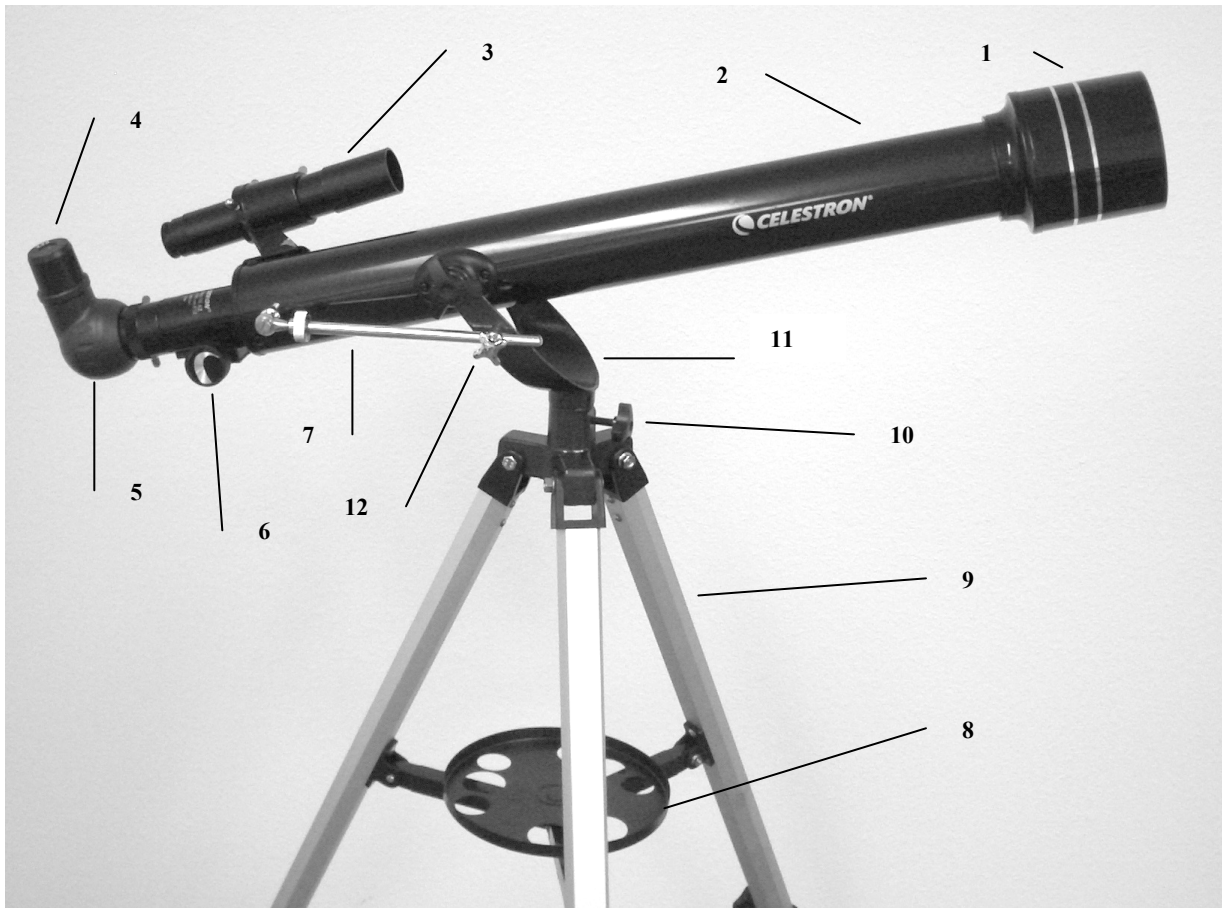
Take time to read through this manual before embarking on your journey through the Universe. It may take a few observing sessions to become familiar with your telescope, so you should keep this manual handy until you have fully mastered your telescope’s operation. The manual gives detailed information regarding each step as well as needed reference material and helpful hints to make your observing experience simple and pleasurable as possible.

Your telescope is designed to give you years of fun and rewarding observations. However, there are a few things to consider before using your telescope that will ensure your safety and protect your equipment.

Warning



- **Never look directly at the sun with the naked eye or with a telescope (unless you have the proper solar filter). Permanent and irreversible eye damage may result.**
- **Never use your telescope to project an image of the sun onto any surface. Internal heat build-up can damage the telescope and any accessories attached to it.**
- **Never use an eyepiece solar filter or a Herschel wedge. Internal heat build-up inside the telescope can cause these devices to crack or break, allowing unfiltered sunlight to pass through to the eye.**
- **Do not leave the telescope unsupervised, either when children are present or adults who may not be familiar with the correct operating procedures of your telescope.**



**Figure 1-1 PowerSeeker 60AZ Refractor
(PowerSeeker 50AZ & PowerSeeker 70AZ Similar)**

| | | | |
|----|------------------------|-----|---|
| 1. | Objective Lens | 7. | Altitude Slow Motion Rod Assembly (not on 50AZ) |
| 2. | Telescope Optical Tube | 8. | Accessory Tray |
| 3. | Finderscope | 9. | Tripod |
| 4. | Eyepiece | 10. | Azimuth Lock (not on 50AZ) |
| 5. | Diagonal | 11. | Alt-Az Mount |
| 6. | Focus Knob | 12. | Altitude Locking Knob |

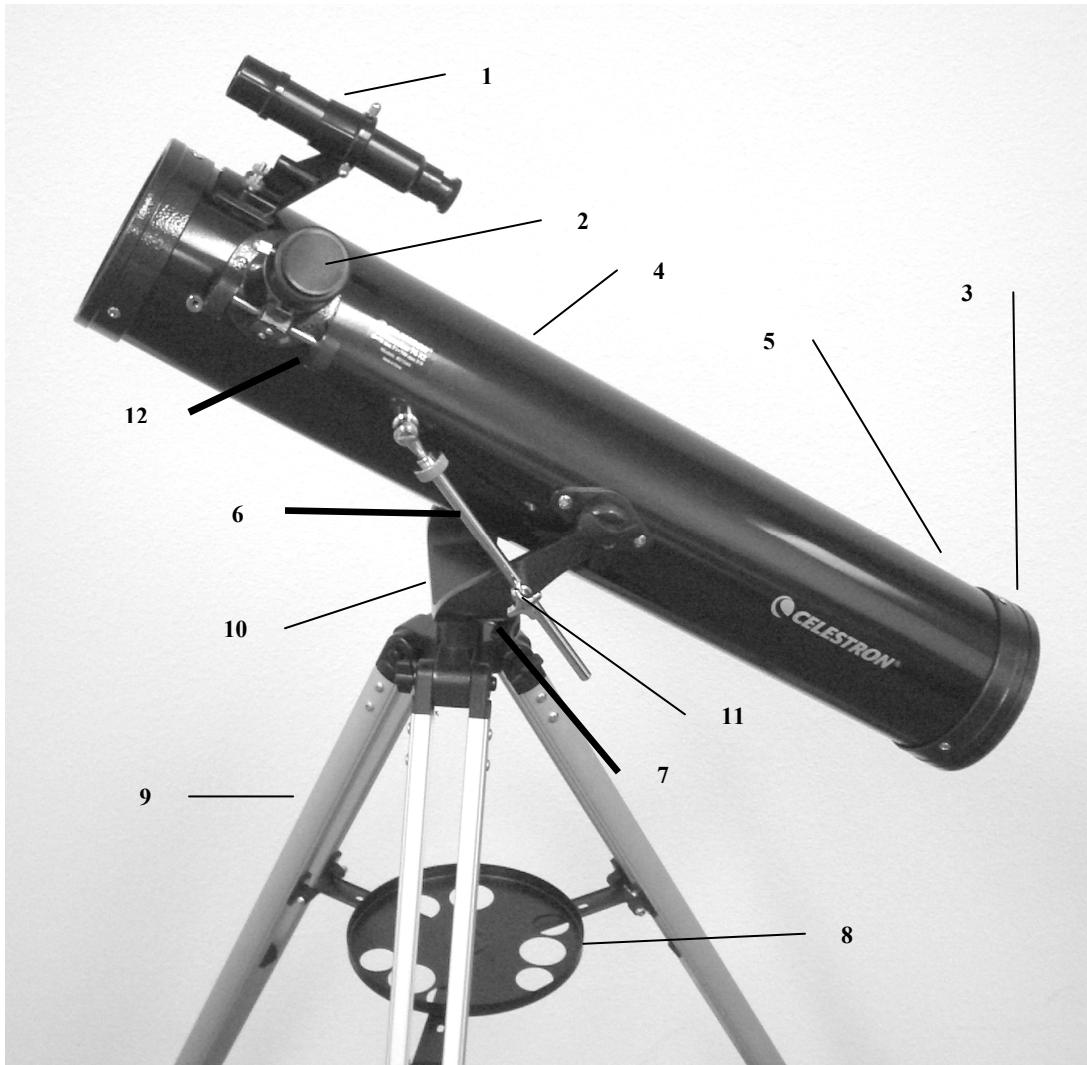


Figure 1-2 PowerSeeker 76AZ Newtonian

| | | | |
|-----------|--|------------|-----------------------|
| 1. | Finderscope | 7. | Azimuth Lock |
| 2. | Eyepiece | 8. | Accessory Tray |
| 3. | Collimation Adjustment Screws (in rear) | 9. | Tripod |
| 4. | Telescope Optical Tube | 10. | Alt-Az Mount |
| 5. | Primary Mirror | 11. | Altitude Lock |
| 6. | Altitude Slow Motion Rod Assembly | 12. | Focus Knob |



This section covers the assembly instructions for your PowerSeeker telescope. Your telescope should be set up indoors the first time so that it is easy to identify the various parts and familiarize yourself with the correct assembly procedure before attempting it outdoor.

Each PowerSeeker comes in one box. The pieces in the box for all models are – optical tube, altazimuth mount, and “The SkyX” CD-ROM. The 50AZ includes 0.96” accessories – 20mm eyepiece, 12mm eyepiece, 4mm eyepiece, 3x Barlow lens, and 1.5x erecting eyepiece.

The 60AZ, 70AZ & 76AZ includes 1.25” accessories – 20mm eyepiece (erect image for 76AZ), 4mm eyepiece, 3x Barlow lens, erect image diagonal for 60AZ.

Setting up the Tripod

1. Remove the tripod from the box (Figure 2-1). The tripod comes preassembled so that the set up is very easy. Each tripod is different for each model but looks somewhat similar to the photos shown below.
2. Stand the tripod upright and pull the tripod legs apart until each leg is fully extended and then push down slightly on the tripod leg brace (Figure 2-2). The very top of the tripod is called the tripod head (AZ mount).
3. Next, we will install the tripod accessory tray (Figure 2-3) onto the tripod leg brace (center of Figure 2-2).
4. On the bottom of the tripod tray is a screw attached to the center (except the 50AZ). The screw attaches into a threaded hole in the center of the tripod leg brace by turning it clockwise - note: pull up slightly on the tripod leg brace to make it easy to attach. Continue turning the tray until hand tight – don’t over tighten the tray. The 50AZ is slightly different as you unthread a small knob in the center of the tray (see Figure 2-3a) and then put the tray over the threaded hole and tighten the knob to secure the tray.

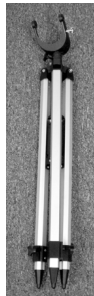


Figure 2-1



Figure 2-2



Figure 2-3



Figure 2-3a

5. The tripod is now completely assembled (Figure 2-4).
6. You can extend the tripod legs to the height you desire. At the lowest level the height is about 27” (69cm) and extends to about 47” (119cm). You unlock the tripod leg lock knobs at the bottom of each leg (Figure 2-5) by turning them counterclockwise and pull the legs out to the height you want & then lock the knobs securely. A fully extended tripod looks similar to the image in Figure 2-6.
7. The tripod will be the most rigid and stable at the lower heights.



Figure 2-4

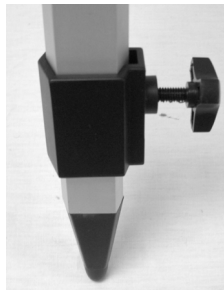


Figure 2-5



Figure 2-6

Attaching the Telescope Tube to the Mount

The telescope optical tube attaches to the altazimuth mount with the altitude slow motion rod assembly and the respective knobs for the 60AZ, 70AZ and 76AZ. The 50AZ attaches directly to the altazimuth mount head. Before starting, remove the objective lens cap (refractor) or the front opening cap (Newtonian). To mount the telescope tube to the mount for the 60AZ, 70AZ, and 76AZ:

- 1 Remove the protective paper covering the optical tube.
- 2 Put the telescope optical tube inside the yoke (altazimuth) mount so that the altitude slow motion rod assembly is on the same side as the altitude locking screw (see Figure 1-1). **Note that on some telescopes that the rod may be attached to the telescope optical tube. If the rod is not attached to the optical tube, remove the screw from the mechanism (with the provided tool) shown on the far left of Figure 2-7 and put the rod in place as shown in Figure 2-7. Then, put the screw through the hole in the rod and into the mechanism and tighten it.**
- 3 Thread the altitude locking knob out so the hole is clear in the eyebolt (see Figure 2-8).
- 4 Put the rod of the assembly through the eyebolt and then tighten the altitude locking knob – Figure 2-9.
- 5 Thread the two knobs (one on either side of the mount) through the top of the mount into the threaded holes in the optical tube and tighten – Figure 2-7.



Figure 2-7



Figure 2-8

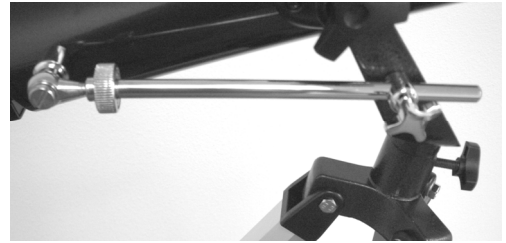


Figure 2-9

For the 50AZ, take the following steps:

1. Remove the protective paper covering the optical tube.
2. Place the telescope optical tube on the altazimuth mount so that the hole in the top of the optical tube platform lines up with the holes in the mount head – see Figure 2-11.
3. Insert the altitude locking knob (see center of Figure 2-10) through the mount head and optical tube platform (make sure the hole is clear all the way through before tightening the knob).



Figure 2-10



Figure 2-11

Moving the Telescope Manually

The PowerSeeker Alt-Az mount is easy to move wherever you want to point it. For the 60AZ, 70AZ, and 76AZ the up and down (altitude) is controlled by the altitude locking knob (Figure 2-12). The side-to-side (azimuth) is controlled by the azimuth lock (Figure 2-12). When both knobs are loose you can find your objects easily (through the finderscope) and then lock the controls.

For fine adjustments in altitude, you turn the knurled ring of the altitude slow motion rod (when the altitude lock is tight) in either direction – see Figure 2-9.

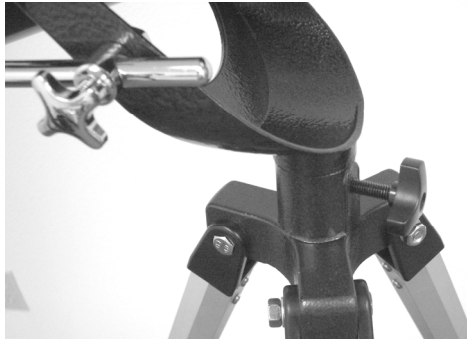


Figure 2-12

For the 50AZ model, loosen the altitude locking knob – Figure 2-9 and then move the telescope in the desired location you want and once there tighten the altitude locking knob.

Note: Before tightening the altitude locking knob, the location you are seeking should be located in the finderscope.

Installing the Diagonal & Eyepiece (Refractor) – 60AZ & 70AZ

The diagonal is a prism that diverts the light at a right angle to the light path of the refractor. This allows you to observe in a position that is more comfortable than if you had to look straight through. This diagonal is an erect image model that corrects the image to be right side up and oriented correctly left-to-right which is much easier to use for terrestrial observing. Also, the diagonal can be rotated to any position which is most favorable for you. To install the diagonal and eyepiece:

1. Insert the small barrel of the diagonal into the 1.25" eyepiece adapter of the focus tube on the refractor – Figure 2-13. Make sure the two thumbscrews on the eyepiece adapter do not protrude into the focuser tube before installation and the plug up cap is removed from the eyepiece adapter.
2. Put the chrome barrel end of one of the eyepieces into the diagonal and tighten the thumb screw. Again, when doing this make sure the thumbscrew is not protruding into the diagonal before inserting the eyepiece.
3. The eyepieces can be changed to other focal lengths by reversing the procedure in step 2 above.



Figure 2-13

Installing the Diagonal & Eyepiece (Refractor) – 50AZ



Figure 2-14

The diagonal for the 50AZ is called a star diagonal where the prism corrects the image to be right side up (erect image) but the image is reversed left-to-right. The diagonal and eyepieces are .96" diameter sizes. All steps above are the same with the 50AZ.

Installing the Eyepiece on the Newtonian

The eyepiece (or ocular) is an optical element that magnifies the image focused by the telescope. Without the eyepiece it would be impossible to use the telescope visually. Eyepieces are commonly referred to by focal length and barrel diameter. The longer focal length (i.e., the larger the number) the lower the eyepiece magnification (i.e., power). Generally, you will use low-to-moderate power when viewing. For more information on how to determine power, see the section on “Calculating Magnification”. The eyepiece fits directly into the focuser of the Newtonian. To attach the eyepieces:

1. Make sure the thumbscrews are not protruding into the focuser tube. Then, insert the chrome barrel of the eyepiece into the focus tube (remove the plug up cap of the focuser first) and tighten the thumbscrews – see Figure 2-15.
2. The 20mm eyepiece is called an erecting eyepiece since it corrects the image so it is right side up and corrected left to right. This makes the telescope useful for terrestrial viewing.
3. The eyepieces can be changed by reversing the procedure as described above.



Figure 2-15

Installing & Using the Barlow Lens

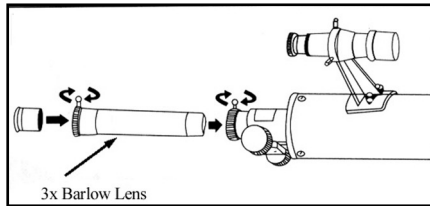


Figure 2-16

Your telescope also comes with a 3x Barlow Lens which triples the magnifying power of each eyepiece. However, the greatly magnified images should only be used under ideal conditions – see the Calculating Magnification section of this manual.

To use the Barlow lens with refractors, remove the diagonal and insert the Barlow directly into the focuser tube. You then insert an eyepiece into the Barlow lens for viewing. You can also, insert the diagonal into the Barlow lens and then use an eyepiece in the diagonal but you may not be able to reach focus with all eyepieces.

For Newtonian telescopes, insert the Barlow lens directly into the focuser. Then, insert an eyepiece into the Barlow lens.

Note: Start by using a low power eyepiece as it will be easier to focus.

Installing & Using the 1.5x Erecting Eyepiece – 50AZ

The PowerSeeker 50AZ comes with a 1.5x erecting eyepieces, primarily for daytime terrestrial viewing. This eyepiece corrects the image you see in your telescope, so that it's both right side up and corrected from left to right. Install and use this eyepiece the same way you do with the Barlow Lens in the section above. You cannot use the Barlow lens when using this eyepiece.

When using the erecting eyepiece, the power with various eyepieces is:

- w/ 20mm = 45x
- w/ 12mm = 75x
- w/ 4mm = 225x

Installing the Finderscope

To install the finderscope:

1. Locate the finderscope (it will be mounted inside the finderscope bracket) – see Figures 1-1 and 1-2.
2. Remove the knurled nuts on the threaded posts on the optical tube – see Figure 2-17.
3. Mount the finderscope bracket by placing it over the posts protruding from the optical tube and then holding it in place thread on the knurled nuts and tightening them down.
4. Note that the finderscope should be oriented so that the larger diameter lens is facing toward the front of the optical tube.
5. Remove the lens caps from both ends of the finderscope.



Figure 2-17

Aligning the Finderscope

Use the following steps to align the finderscope:

1. Locate a distant daytime object and center it in a low power (20mm) eyepiece in the main telescope.
2. Look through the finderscope (the eyepiece end of the finderscope) and take notice of the position of the same object.
3. Without moving the main telescope, turn the adjustment thumb screws located around the finderscope bracket until the crosshairs of the finderscope are centered on the object chosen with the main telescope.

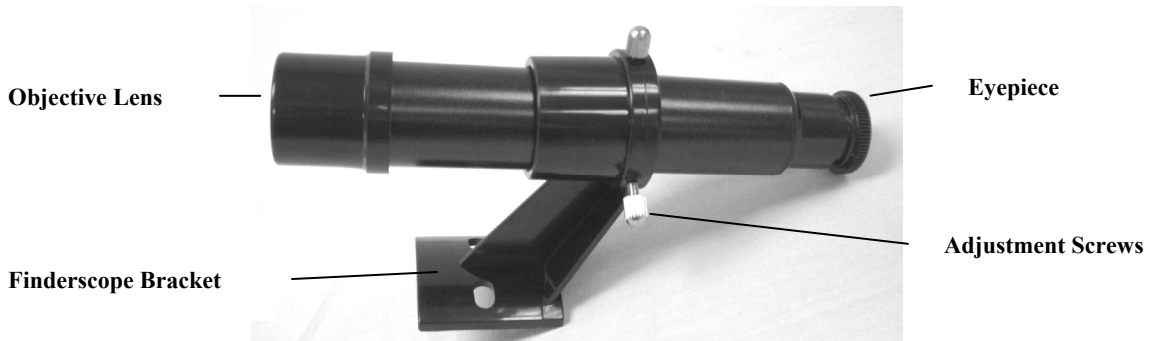


Figure 2-18 Finderscope with Bracket

CELESTRON® Telescope Basics

A telescope is an instrument that collects and focuses light. The nature of the optical design determines how the light is focused. Some telescopes, known as refractors, use lenses, and other telescopes, known as reflectors (Newtonians), use mirrors.

Developed in the early 1600s, the **refractor** is the oldest telescope design. It derives its name from the method it uses to focus incoming light rays. The refractor uses a lens to bend or refract incoming light rays, hence the name (see Figure 3-1). Early designs used single element lenses. However, the single lens acts like a prism and breaks light down into the colors of the rainbow, a phenomenon known as chromatic aberration. To get around this problem, a two-element lens, known as an achromat, was introduced. Each element has a different index of refraction allowing two different wavelengths of light to be focused at the same point. Most two-element lenses, usually made of crown and flint glasses, are corrected for red and green light. Blue light may still be focused at a slightly different point.

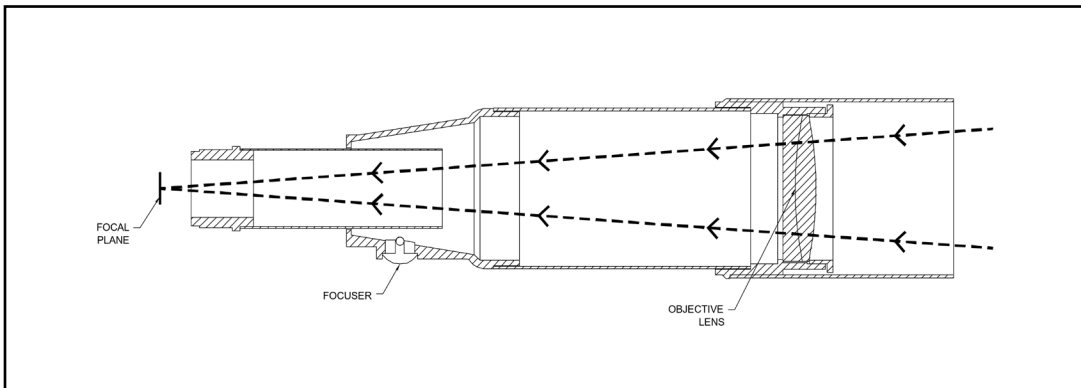


Figure 3-1
A cutaway view of the light path of the Refractor optical design

A **Newtonian** reflector uses a single concave mirror as its primary. Light enters the tube traveling to the mirror at the back end. There light is bent forward in the tube to a single point, its focal point. Since putting your head in front of the telescope to look at the image with an eyepiece would keep the reflector from working, a flat mirror called a *diagonal* intercepts the light and points it out the side of the tube at right angles to the tube. The eyepiece is placed there for easy viewing.

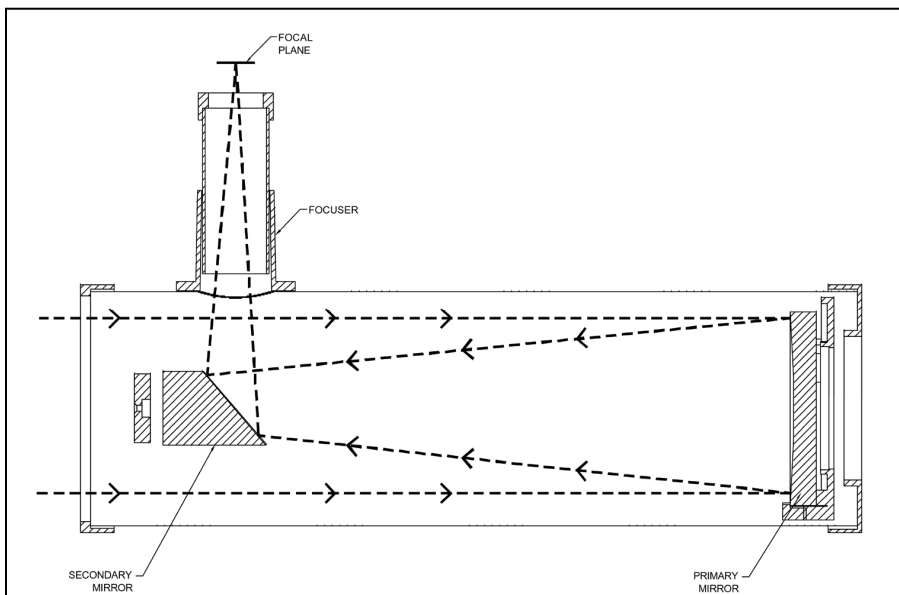


Figure 3-2
Cutaway view of the light path of the Newtonian optical design

Newtonian Reflector telescopes replace heavy lenses with mirrors to collect and focus the light, providing much more light-gathering power for the money spent. Because the light path is intercepted and reflected out to the side, you can have focal lengths up to 1000mm and still enjoy a telescope that is relatively compact and portable. A Newtonian Reflector telescope offers such impressive light-gathering characteristics you can take a serious interest in deep space astronomy even on a modest budget. Newtonian Reflector telescopes do require more care and maintenance because the primary mirror is exposed to air and dust. However, this small drawback does not hamper this type of telescope's popularity with those who want an economical telescope that can still resolve faint, distant objects.

Image Orientation

The image orientation changes depending on how the eyepiece is inserted into the telescope. When using a star diagonal with refractors, the image is right-side-up, but reversed from left-to-right (i.e., mirror image). If inserting the eyepiece directly into the focuser of a refractor (i.e., without the diagonal), the image is upside-down and reversed from left-to-right (i.e., inverted). However, when using the PowerSeeker refractor and the standard erect image diagonal, the image is correctly oriented in every aspect.

Newtonian reflectors produce a right-side-up image but the image will appear rotated based on the location of the eyepiece holder in relation to the ground. However, by using the erect image eyepiece supplied with the PowerSeeker Newtonian, the image is correctly oriented.



Figure 3-3

Focusing

To focus your refractor or Newtonian telescope, simply turn the focus knob located directly below the eyepiece holder (see Figures 2-13, 2-14 and 2-15). Turning the knob clockwise allows you to focus on an object that is farther than the one you are currently observing. Turning the knob counterclockwise from you allows you to focus on an object closer than the one you are currently observing.

Note: If you wear corrective lenses (specifically glasses), you may want to remove them when observing with an eyepiece attached to the telescope. However, when using a camera you should always wear corrective lenses to ensure the sharpest possible focus. If you have astigmatism, corrective lenses must be worn at all times.

Calculating Magnification

You can change the power of your telescope just by changing the eyepiece (ocular). To determine the magnification of your telescope, simply divide the focal length of the telescope by the focal length of the eyepiece used. In equation format, the formula looks like this:

$$\text{Magnification} = \frac{\text{Focal Length of Telescope (mm)}}{\text{Focal Length of Eyepiece (mm)}}$$

Let's say, for example, you are using the 20mm eyepiece that came with your telescope. To determine the magnification you divide the focal length of your telescope (the PowerSeeker 60AZ for this example has a focal length of 700mm) by the focal length of the eyepiece, 20mm. Dividing 700 by 20 yields a magnification of 35x.

Although the power is variable, each instrument under average skies has a limit to the highest useful magnification. The general rule is that 60 power can be used for every inch of aperture. For example, the PowerSeeker 60AZ is 2.4" inches in diameter. Multiplying 2.4 by 60 gives a maximum useful magnification of 144 power. Although this is the maximum useful magnification, most observing is done in the range of 20 to 35 power for every inch of aperture which is 48 to 84 times for the PowerSeeker 60AZ telescope. You can determine the magnification for your telescope the same way.

Note on Using High Powers – Higher powers are used mainly for lunar and sometimes planetary observing where you can greatly enlarge the image, but remember that the contrast and brightness will be very low due to the high magnification. Using the 4mm eyepiece together with the 3x Barlow lens gives extremely high power and can be used on rare occasions – you will achieve the power but the image will be dark with low contrast because you have magnified it to the maximum possible. For the brightest images with the highest contrast levels, use lower powers.

Determining Field of View

Determining the field of view is important if you want to get an idea of the angular size of the object you are observing. To calculate the actual field of view, divide the apparent field of the eyepiece (supplied by the eyepiece manufacturer) by the magnification. In equation format, the formula looks like this:

$$\text{True Angular Field} = \frac{\text{Apparent Field of Eyepiece}}{\text{Magnification}}$$

As you can see, before determining the field of view, you must calculate the magnification. Using the example in the previous section, we can determine the field of view using the same 20mm eyepiece that is supplied standard with the PowerSeeker 60AZ telescope. The 20mm eyepiece has an apparent field of view of 50°. Divide the 50° by the magnification, which is 35 power. This yields an actual (true) field of 1.4°.

To convert degrees to feet at 1,000 yards, which is more useful for terrestrial observing, simply multiply by 52.5. Continuing with our example, multiply the angular field of 1.4° by 52.5. This produces a linear field width of 74 feet at a distance of one thousand yards.

General Observing Hints

When using any optical instrument, there are a few things to remember to ensure you get the best possible image.

- Never look through window glass. Glass found in household windows is optically imperfect, and as a result, may vary in thickness from one part of a window to the next. This inconsistency can and will affect the ability to focus your telescope. In most cases you will not be able to achieve a truly sharp image, while in some cases, you may actually see a double image.
- Never look across or over objects that are producing heat waves. This includes asphalt parking lots on hot summer days or building rooftops.
- Hazy skies, fog, and mist can also make it difficult to focus when viewing terrestrially. The amount of detail seen under these conditions is greatly reduced.
- If you wear corrective lenses (specifically glasses), you may want to remove them when observing with an eyepiece attached to the telescope. When using a camera, however, you should always wear corrective lenses to ensure the sharpest possible focus. If you have astigmatism, corrective lenses must be worn at all times.

CELESTRON **Astronomy Basics**

Up to this point, this manual covered the assembly and basic operation of your telescope. However, to understand your telescope more thoroughly, you need to know a little about the night sky. This section deals with observational astronomy in general and includes information on the night sky and polar alignment.

The Celestial Coordinate System

To help find objects in the sky, astronomers use a celestial coordinate system that is similar to our geographical coordinate system here on Earth. The celestial coordinate system has poles, lines of longitude and latitude, and an equator. For the most part, these remain fixed against the background stars.

The celestial equator runs 360 degrees around the Earth and separates the northern celestial hemisphere from the southern. Like the Earth's equator, it bears a reading of zero degrees. On Earth this would be latitude. However, in the sky this is referred to as declination, or DEC for short. Lines of declination are named for their angular distance above and below the celestial equator. The lines are broken down into degrees, minutes of arc, and seconds of arc. Declination readings south of the equator carry a minus sign (-) in front of the coordinate and those north of the celestial equator are either blank (i.e., no designation) or preceded by a plus sign (+).

The celestial equivalent of longitude is called Right Ascension, or R.A. for short. Like the Earth's lines of longitude, they run from pole to pole and are evenly spaced 15 degrees apart. Although the longitude lines are separated by an angular distance, they are also a measure of time. Each line of longitude is one hour apart from the next. Since the Earth rotates once every 24 hours, there are 24 lines total. As a result, the R.A. coordinates are marked off in units of time. It begins with an arbitrary point in the constellation of Pisces designated as 0 hours, 0 minutes, 0 seconds. All other points are designated by how far (i.e., how long) they lag behind this coordinate after it passes overhead moving toward the west.

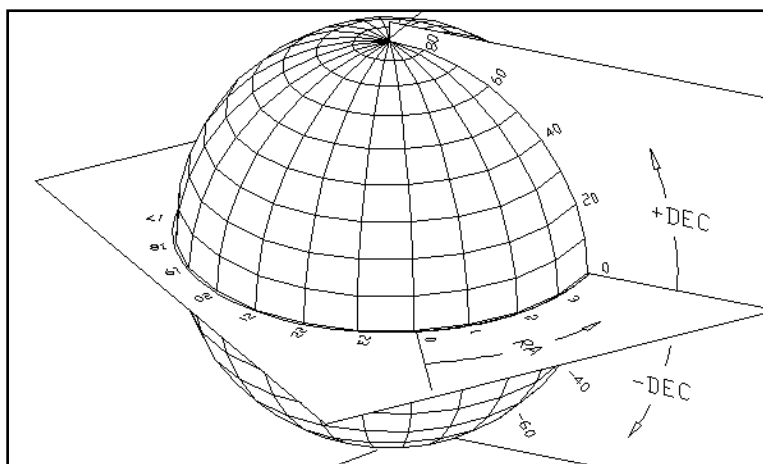
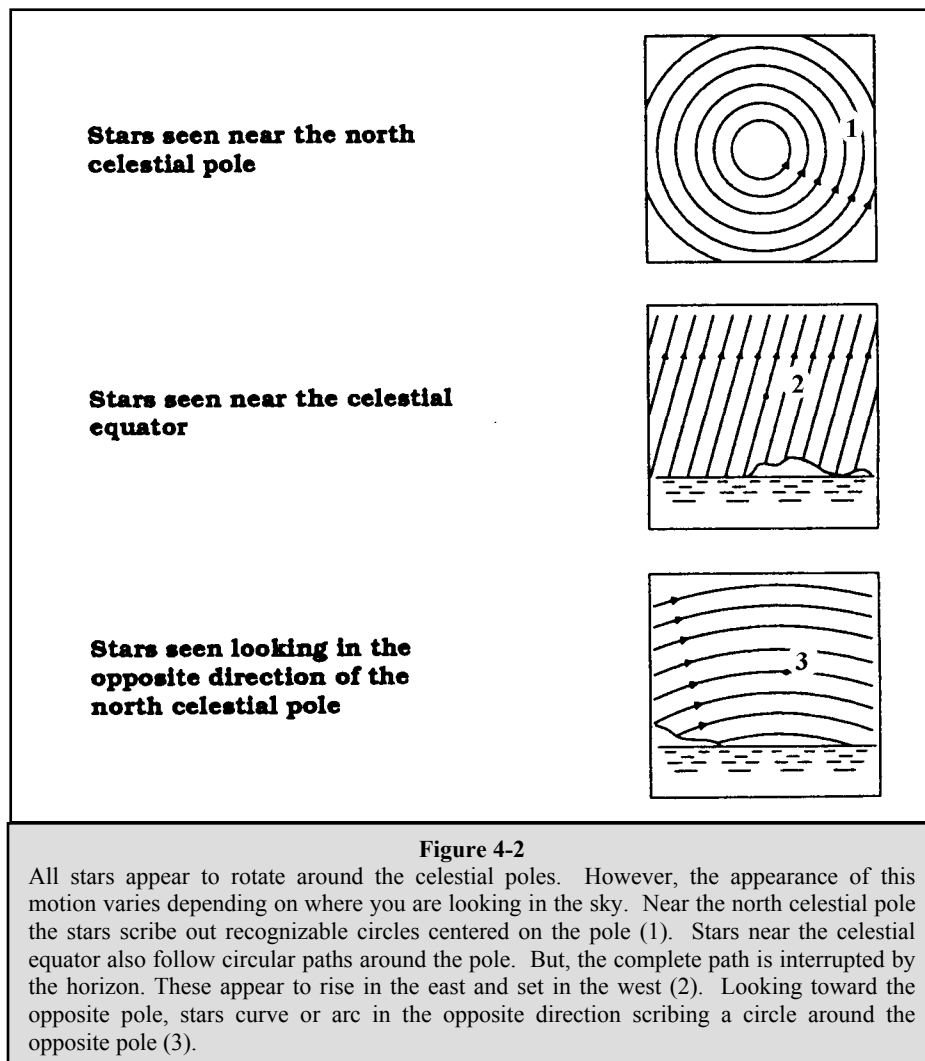


Figure 4-1
The celestial sphere seen from the outside showing R.A. and DEC.

Motion of the Stars

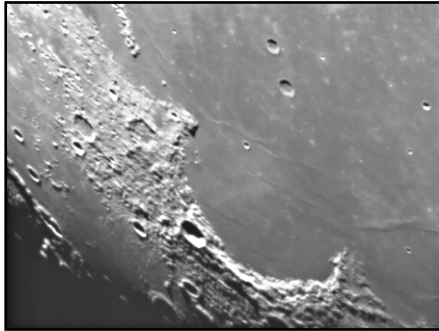
The daily motion of the Sun across the sky is familiar to even the most casual observer. This daily trek is not the Sun moving as early astronomers thought, but the result of the Earth's rotation. The Earth's rotation also causes the stars to do the same, scribing out a large circle as the Earth completes one rotation. The size of the circular path a star follows depends on where it is in the sky. Stars near the celestial equator form the largest circles rising in the east and setting in the west. Moving toward the north celestial pole, the point around which the stars in the northern hemisphere appear to rotate, these circles become smaller. Stars in the mid-celestial latitudes rise in the northeast and set in the northwest. Stars at high celestial latitudes are always above the horizon, and are said to be circumpolar because they never rise and never set. You will never see the stars complete one circle because the sunlight during the day washes out the starlight. However, part of this circular motion of stars in this region of the sky can be seen by setting up a camera on a tripod and opening the shutter for a couple hours. The timed exposure will reveal semicircles that revolve around the pole. (This description of stellar motions also applies to the southern hemisphere except all stars south of the celestial equator move around the south celestial pole.)



CELESTRON **Celestial Observing**

With your telescope set up, you are ready to use it for observing. This section covers visual observing hints for both solar system and deep sky objects as well as general observing conditions which will affect your ability to observe.

Observing the Moon



Often, it is tempting to look at the Moon when it is full. At this time, the face we see is fully illuminated and its light can be overpowering. In addition, little or no contrast can be seen during this phase.

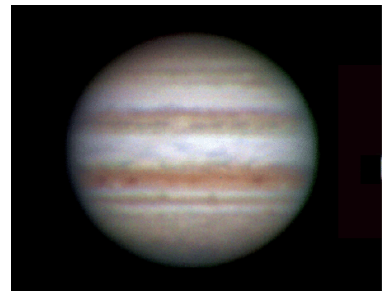
One of the best times to observe the Moon is during its partial phases (around the time of first or third quarter). Long shadows reveal a great amount of detail on the lunar surface. At low power you will be able to see most of the lunar disk at one time. Change to optional eyepieces for higher power (magnification) to focus in on a smaller area.

Lunar Observing Hints

To increase contrast and bring out detail on the lunar surface, use optional filters. A yellow filter works well at improving contrast while a neutral density or polarizing filter will reduce overall surface brightness and glare.

Observing the Planets

Other fascinating targets include the five naked eye planets. You can see Venus go through its lunar-like phases. Mars can reveal a host of surface detail and one, if not both, of its polar caps. You will be able to see the cloud belts of Jupiter and the great Red Spot (if it is visible at the time you are observing). In addition, you will also be able to see the moons of Jupiter as they orbit the giant planet. Saturn, with its beautiful rings, is easily visible at moderate power.



Planetary Observing Hints

- Remember that atmospheric conditions are usually the limiting factor on how much planetary detail will be visible. So, avoid observing the planets when they are low on the horizon or when they are directly over a source of radiating heat, such as a rooftop or chimney. See the "Seeing Conditions" section later in this section.
- To increase contrast and bring out detail on the planetary surface, try using Celestron eyepiece filters.

Observing the Sun

Although overlooked by many amateur astronomers, solar observation is both rewarding and fun. However, because the Sun is so bright, special precautions must be taken when observing our star so as not to damage your eyes or your telescope.

For safe solar viewing, use a proper solar filter that reduces the intensity of the Sun's light, making it safe to view. With a filter you can see sunspots as they move across the solar disk and faculae, which are bright patches seen near the Sun's edge.

- The best time to observe the Sun is in the early morning or late afternoon when the air is cooler.
- To center the Sun without looking into the eyepiece, watch the shadow of the telescope tube until it forms a circular shadow.

Observing Deep-Sky Objects

Deep-sky objects are simply those objects outside the boundaries of our solar system. They include star clusters, planetary nebulae, diffuse nebulae, double stars and other galaxies outside our own Milky Way. Most deep-sky objects have a large angular size. Therefore, low-to-moderate power is all you need to see them. Visually, they are too faint to reveal any of the color seen in long exposure photographs. Instead, they appear black and white. And, because of their low surface brightness, they should be observed from a dark-sky location. Light pollution around large urban areas washes out most nebulae making them difficult, if not impossible, to observe. Light Pollution Reduction filters help reduce the background sky brightness, thus increasing contrast.

Star Hopping

One convenient way to find deep-sky objects is by star hopping. Star hopping is done by using bright stars to "guide" you to an object. For successful star hopping, it is helpful to know the field of view of your telescope. If you're using the standard 20 mm eyepiece with the PowerSeeker telescope, your field of view is approximately 1.4° or so. If you know an object is 3° away from your present location, then you just need to move about two fields of view. If you're using another eyepiece, then consult the section on determining field of view. Listed below are directions for locating two popular objects.

The Andromeda Galaxy (Figure 5-1), also known as M31, is an easy target. To find M31:

1. Locate the constellation of Pegasus, a large square visible in the fall (in the eastern sky, moving toward the point overhead) and winter months (overhead, moving toward the west).
2. Start at the star in the northeast corner—Alpha (α) Andromedae.
3. Move northeast approximately 7° . There you will find two stars of equal brightness—Delta (δ) and Pi (π) Andromeda—about 3° apart.
4. Continue in the same direction another 8° . There you will find two stars—Beta (β) and Mu (μ) Andromedae—also about 3° apart.
5. Move 3° northwest—the same distance between the two stars—to the Andromeda galaxy.

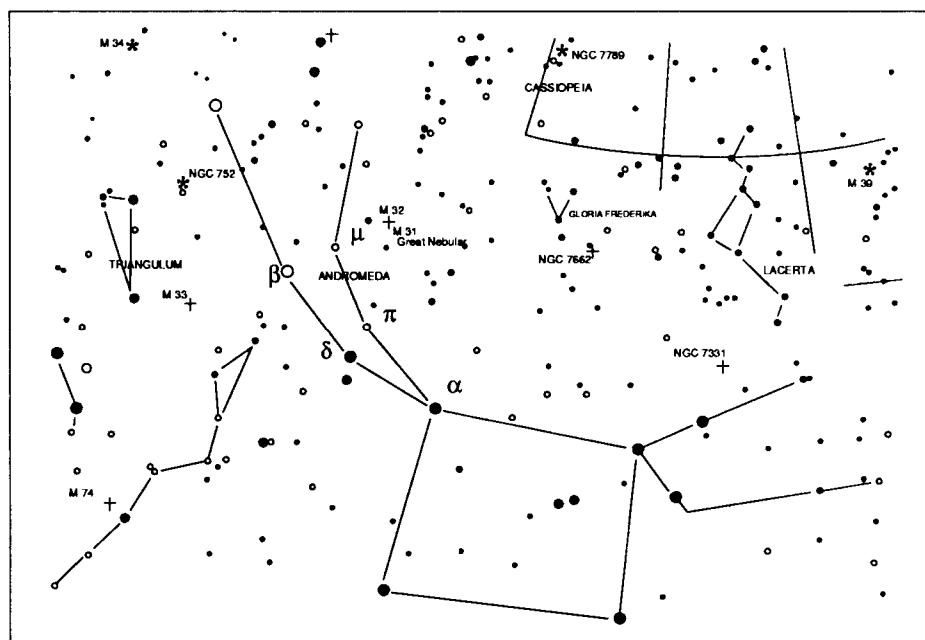


Figure 5-1

Star hopping to the Andromeda Galaxy (M31) is a snap, since all the stars needed to do so are visible to the naked eye.

Star hopping will take some getting used to and objects that don't have stars near them that are visible to the naked eye are challenging. One such object is M57 (Figure 5-2), the famed Ring Nebula. Here's how to find it:

1. Find the constellation of Lyra, a small parallelogram visible in the summer and fall months. Lyra is easy to pick out because it contains the bright star Vega.
2. Start at the star Vega—Alpha (α) Lyrae—and move a few degrees southeast to find the parallelogram. The four stars that make up this geometric shape are all similar in brightness, making them easy to see.
3. Locate the two southernmost stars that make up the parallelogram—Beta (β) and Gamma (γ) Lyra.
4. Point about halfway between these two stars.
5. Move about $\frac{1}{2}^\circ$ toward Beta (β) Lyra, while remaining on a line connecting the two stars.
6. Look through the telescope and the Ring Nebula should be in your field of view. The Ring Nebula's angular size is quite small and difficult to see.
7. Because the Ring Nebula is rather faint, you may need to use “averted vision” to see it. “Averted vision” is a technique of looking slightly away from the object you're observing. So, if you are observing the Ring Nebula, center it in your field of view and then look off toward the side. This causes light from the object viewed to fall on the black and white sensitive rods of your eyes, rather than your eyes color sensitive cones. (Remember that when observing faint objects, it's important to try to observe from a dark location, away from street and city lights. The average eye takes about 20 minutes to fully adapt to the darkness. So always use a red-filtered flashlight to preserve your dark-adapted night vision).

These two examples should give you an idea of how to star hop to deep-sky objects. To use this method on other objects, consult a star atlas, then star hop to the object of your choice using “naked eye” stars.

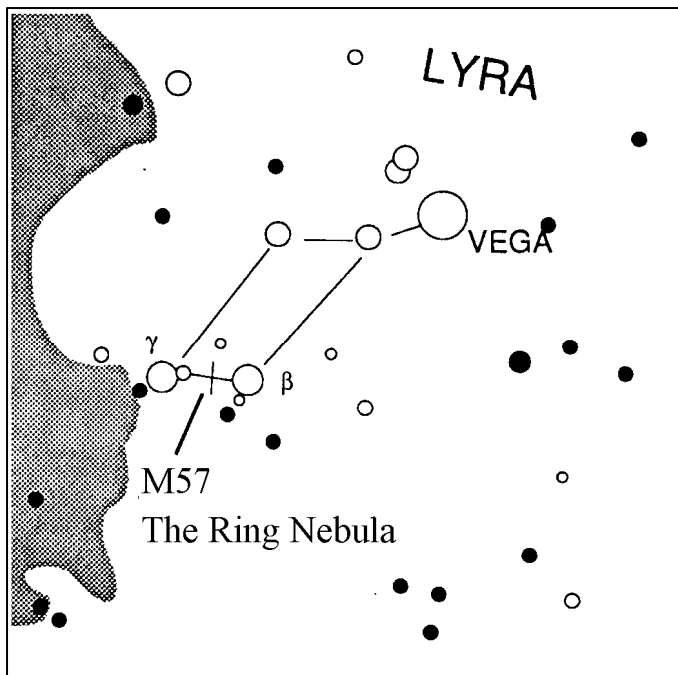


Figure 5-2

Seeing Conditions

Viewing conditions affect what you can see through your telescope during an observing session. Conditions include transparency, sky illumination, and seeing. Understanding viewing conditions and the effect they have on observing will help you get the most out of your telescope.

Transparency

Transparency is the clarity of the atmosphere which is affected by clouds, moisture, and other airborne particles. Thick cumulus clouds are completely opaque while cirrus can be thin, allowing the light from the brightest stars through. Hazy skies absorb more light than clear skies making fainter objects harder to see and reducing contrast on brighter objects. Aerosols ejected into the upper atmosphere from volcanic eruptions also affect transparency. Ideal conditions are when the night sky is inky black.

Sky Illumination

General sky brightening caused by the Moon, aurorae, natural airglow, and light pollution greatly affect transparency. While not a problem for the brighter stars and planets, bright skies reduce the contrast of extended nebulae making them difficult, if not impossible to see. To maximize your observing, limit deep sky viewing to moonless nights far from the light polluted skies found around major urban areas. LPR filters enhance deep sky viewing from light polluted areas by blocking unwanted light while transmitting light from certain deep sky objects. You can, on the other hand, observe planets and stars from light polluted areas or when the Moon is out.

Seeing

Seeing conditions refers to the stability of the atmosphere and directly affects the amount of fine detail seen in extended objects. The air in our atmosphere acts as a lens which bends and distorts incoming light rays. The amount of bending depends on air density. Varying temperature layers have different densities and, therefore, bend light differently. Light rays from the same object arrive slightly displaced creating an imperfect or smeared image. These atmospheric disturbances vary from time-to-time and place-to-place. The size of the air parcels compared to your aperture determines the "seeing" quality. Under good seeing conditions, fine detail is visible on the brighter planets like Jupiter and Mars, and stars are pinpoint images. Under poor seeing conditions, images are blurred and stars appear as blobs.

The conditions described here apply to both visual and photographic observations.



Figure 5-3

Seeing conditions directly affect image quality. These drawings represent a point source (i.e., star) under bad seeing conditions (left) to excellent conditions (right). Most often, seeing conditions produce images that lie somewhere between these two extremes.



CELESTRON[®] **Astrography**

The PowerSeeker series of telescopes was designed for visual observing. After looking at the night sky for a while you may want to try your hand at photography of it. There are a few simple forms of photography possible with your 60AZ, 70AZ and 76AZ telescope for celestial as well as terrestrial pursuits although celestial photography is best done using an equatorial mount or computerized altazimuth mount. Below is just a very brief discussion of some of the methods of photography available and suggest you search out various books for detailed information on the subject matter.

As a minimum you will need a digital camera or a 35mm SLR camera. Attach your camera to the telescope with:

- Digital camera – you will need the Universal Digital Camera Adapter (# 93626). The adapter allows the camera to be mounted rigidly for terrestrial as well as prime focus astrophotography.
- 35mm SLR camera – you will need to remove your lens from the camera and attach a T-Ring for your specific camera brand. Then, you will need a T-Adapter (# 93625) to attach on one end to the T-Ring and the other end to the telescope focus tube. Your telescope is now the camera lens.

Short Exposure Prime Focus Photography

Short exposure prime focus photography is the best way to begin imaging celestial objects. It is done by attaching your camera to the telescope as described in the paragraph above. A couple of points to keep in mind:

- You can image the Moon as well as the brighter planets with very short exposures. You will have to experiment with various settings and exposure times. Much information can be obtained from your camera instruction manual which can supplement what you can find in detailed books on the subject matter.
- Do your photography from a dark sky observing site if possible.
- Remember, this is just very simple photography. For more detailed and serious astrophotography you need an equatorial mount or a computerized altazimuth mount.

Planetary & Lunar Photography with Special Imagers

During the last few years a new technology has evolved which makes taking superb images of the planets and moon relatively easy and the results are truly amazing. Celestron offers the NexImage (# 93712) which is a special camera and included is software for image processing. You can capture planetary images your first night out which rivals what professionals were doing with large telescopes just a few short years ago.

CCD Imaging for Deep-Sky Objects

Special cameras have been developed for taking images of deep sky images. These have evolved over the last several years to become much more economical and amateurs can take fantastic images. Several books have been written on how to get the best images possible. The technology continues to evolve with better and easier to use products on the market.

Terrestrial Photography

Your telescope makes an excellent telephoto lens for terrestrial (land) photography. You can take images of various scenic views, wildlife, nature, and just about anything. You will have to experiment with focusing, speeds, etc. to get the best image desired. You can adapt your camera per the instructions at the top of this page.

CELESTRON **Telescope Maintenance**

While your telescope requires little maintenance, there are a few things to remember that will ensure your telescope performs at its best.

Care and Cleaning of the Optics

Occasionally, dust and/or moisture may build up on the objective lens or primary mirror depending on which type of telescope you have. Special care should be taken when cleaning any instrument so as not to damage the optics.

If dust has built up on the optics, remove it with a brush (made of camel's hair) or a can of pressurized air. Spray at an angle to the glass surface for approximately two to four seconds. Then, use an optical cleaning solution and white tissue paper to remove any remaining debris. Apply the solution to the tissue and then apply the tissue paper to the optics. Low pressure strokes should go from the center of the lens (or mirror) to the outer portion. **Do NOT rub in circles!**

You can use a commercially made lens cleaner or mix your own. A good cleaning solution is isopropyl alcohol mixed with distilled water. The solution should be 60% isopropyl alcohol and 40% distilled water. Or, liquid dish soap diluted with water (a couple of drops per one quart of water) can be used.

Occasionally, you may experience dew build-up on the optics of your telescope during an observing session. If you want to continue observing, the dew must be removed, either with a hair dryer (on low setting) or by pointing the telescope at the ground until the dew has evaporated.

If moisture condenses on the inside of the optics, remove the accessories from the telescope. Place the telescope in a dust-free environment and point it down. This will remove the moisture from the telescope tube.

To minimize the need to clean your telescope, replace all lens covers once you have finished using it. Since the cells are NOT sealed, the covers should be placed over the openings when not in use. This will prevent contaminants from entering the optical tube.

Internal adjustments and cleaning should be done only by the Celestron repair department. If your telescope is in need of internal cleaning, please call the factory for a return authorization number and price quote.

Collimation of a Newtonian

The optical performance of most Newtonian reflecting telescopes can be optimized by re-collimating (aligning) the telescope's optics, as needed. To collimate the telescope simply means to bring its optical elements into balance. Poor collimation will result in optical aberrations and distortions.

Before collimating your telescope, take time to familiarize yourself with all its components. The primary mirror is the large mirror at the back end of the telescope tube. This mirror is adjusted by loosening and tightening the three screws, placed 120 degrees apart, at the end of the telescope tube. The secondary mirror (the small, elliptical mirror under the focuser, in the front of the tube) also has three adjustment screws (you will need optional tools (described below) to perform collimation. To determine if your telescope needs collimation first point your telescope toward a bright wall or blue sky outside.

Aligning the Secondary Mirror

The following describes the procedure for daytime collimation of your telescope using the optional Newtonian Collimation Tool (#94183) offered by Celestron. To collimate the telescope without the Collimation Tool, read the following section on night time star collimation. For very precise collimation, the optional Collimation Eyepiece 1 1/4" (#94182) is offered.

If you have an eyepiece in the focuser, remove it. Rack the focuser tube in completely, using the focusing knobs, until its silver tube is no longer visible. You will be looking through the focuser at a reflection of the secondary mirror, projected from the primary mirror. During this step, ignore the silhouetted reflection from the primary mirror. Insert the collimating cap into the focuser and look through it. With the focus pulled in all the way, you should be able to see the entire primary mirror reflected in the secondary mirror. If the primary mirror is not centered in the secondary mirror, adjust the secondary mirror screws by alternately tightening and loosening them until the periphery of the primary mirror is centered in your view. DO NOT loosen or tighten the center screw in the secondary mirror support, because it maintains proper mirror position.

Aligning the Primary Mirror

Now adjust the primary mirror screws to re-center the reflection of the small secondary mirror, so it's silhouetted against the view of the primary. As you look into the focuser, silhouettes of the mirrors should look concentric. Repeat steps one and two until you have achieved this.

Remove the collimating cap and look into the focuser, where you should see the reflection of your eye in the secondary mirror.

Newtonian collimation views as seen through the focuser using the collimation cap

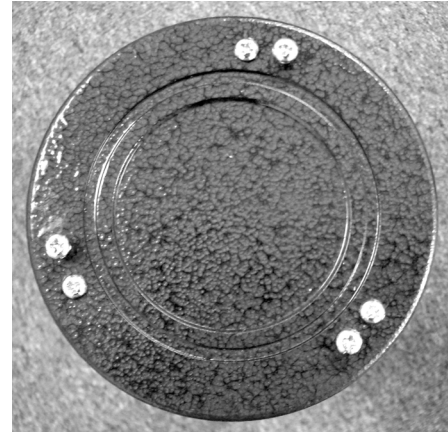
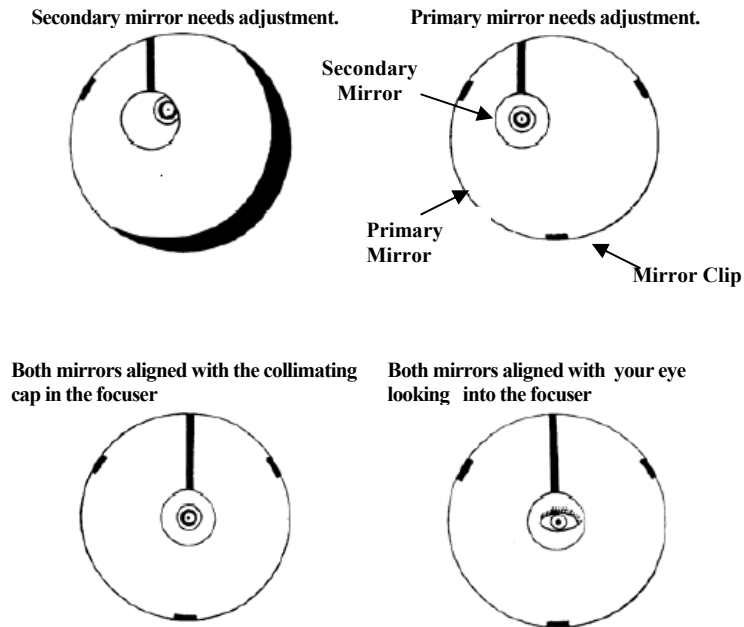


Figure 7-1 PowerSeeker 76AZ

Night Time Star Collimating

After successfully completing daytime collimation, night time star collimation can be done by closely adjusting the primary mirror while the telescope tube is on its mount and pointing at a bright star. The telescope should be set up at night and a star's image should be studied at medium to high power (30-60 power per inch of aperture). If a non-symmetrical focus pattern is present, then it may be possible to correct this by re-collimating only the primary mirror.

Procedure (Please read this section completely before beginning):

To star collimate in the Northern Hemisphere, point at a stationary star like the North Star (Polaris). It can be found in the north sky, at a distance above the horizon equal to your latitude. It's also the end star in the handle of the Little Dipper. Polaris is not the brightest star in the sky and may even appear dim, depending upon your sky conditions. For the Southern Hemisphere, point at Sigma Octantis.

Prior to re-collimating the primary mirror, locate the collimation screws on the rear of the telescope tube. The rear cell (shown in Figure 7-1) has three large screws which are used for collimation and three small screws which are used to lock the mirror in place. The collimation screws tilt the primary mirror. You will start by loosening the small locking screws a few turns each. Normally, motions on the order of an $\frac{1}{8}$ turn will make a difference, with approximately a $\frac{1}{2}$ to $\frac{3}{4}$ turn being the maximum required for the large collimation screws. Turn one collimation screw at a time and with a collimation tool or eyepiece see how the collimation is affected (see the following paragraph below). It will take some experimenting but you will eventually get the centering you desire.

It is best to use the optional collimation tool or collimating eyepiece. Look into the focuser and notice if the secondary reflection has moved closer to the center of the primary mirror.

With Polaris or a bright star centered within the field of view, focus with either the standard ocular or your highest power ocular, i.e. the shortest focal length in mm, such as a 6mm or 4mm. Another option is to use a longer focal length ocular with a Barlow lens. When a star is in focus it should look like a sharp pinpoint of light. If, when focusing on the star, it is irregular in shape or appears to have a flare of light at its edge, this means your mirrors aren't in alignment. If you notice the appearance of a flare of light from the star that remains stable in location, just as you go in and out of exact focus, then re-collimation will help sharpen the image.

When satisfied with the collimation, tighten the small locking screws

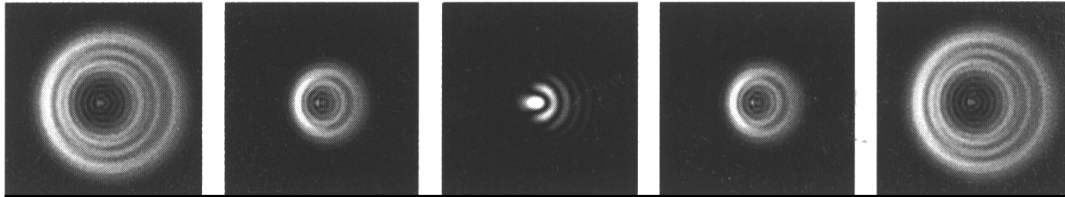


Figure 7-2

Even though the star pattern appears the same on both sides of focus, they are asymmetric. The dark obstruction is skewed off to the left side of the diffraction pattern indicating poor collimation.

Take note of the direction the light appears to flare. For example, if it appears to flare toward the three o'clock position in the field of view, then you must move whichever screw or combination of collimation screws necessary to move the star's image toward the direction of the flaring. In this example, you would want to move the image of the star in your eyepiece, by adjusting the collimation screws, toward the three o'clock position in the field of view. It may only be necessary to adjust a screw enough to move the star's image from the center of the field of view to about halfway, or less, toward the field's edge (when using a high power ocular).

Collimation adjustments are best made while viewing the star's position in the field of view and turning the adjustment screws simultaneously. This way, you can see exactly which way the movement occurs. It may be helpful to have two people working together: one viewing and instructing which screws to turn and by how much, and the other performing the adjustments.

IMPORTANT: After making the first, or each adjustment, it is necessary to re-aim the telescope tube to re-center the star again in the center of the field of view. The star image can then be judged for symmetry by going just inside and outside of exact focus and noting the star's pattern. Improvement should be seen if the proper adjustments are made. Since three screws are present, it may be necessary to move at least two to achieve the necessary mirror movement.

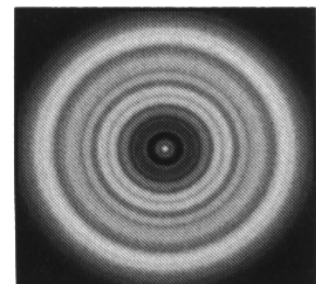


Figure 7-3

A collimated telescope should appear as a symmetrical ring pattern similar to the diffraction disk seen here.

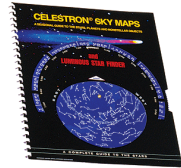


CELESTRON®

Optional Accessories

You will find that additional accessories for your PowerSeeker telescope will enhance your viewing pleasure and expand the usefulness of your telescope. This is just a short listing of various accessories with a brief description. Visit the Celestron website or the Celestron Accessory Catalog for complete descriptions and all accessories available.

Sky Maps (# 93722) – Celestron Sky Maps are the ideal teaching guide for learning the night sky. Even if you already know your way around the major constellations, these maps can help you locate all kinds of fascinating objects.



Omni Plossl Eyepieces – For 60AZ, 70AZ & 76AZ only. These eyepieces are economically priced and offer razor sharp views across the entire field. They are a 4-element lens design and have the following focal lengths: 4mm, 6mm, 9mm, 12.5mm, 15mm, 20mm, 25mm, 32mm, and 40mm – all in 1.25” barrels.

Omni Barlow Lens (# 93326) – Used with any 60AZ, 70AZ & 76AZ eyepiece, it doubles the magnification of that eyepiece. A Barlow lens is a negative lens that increases the focal length of a telescope. The 2x Omni is a 1.25” barrel, is under 3” (76mm) long, and weights only 4oz. (113gr.).

Moon Filter (# 94119-A) – This is an economical 1.25” eyepiece filter (for 60AZ, 70AZ & 76AZ) for reducing the brightness of the moon and improving contrast, so greater detail can be observed on the lunar surface.



UHC/LPR Filter 1.25” (# 94123) – This filter is designed to enhance your views of deep sky astronomical objects when viewed from urban areas. It selectively reduces the transmission of certain wavelengths of light, specifically those produced by artificial lights. For the 60AZ, 70AZ & 76AZ only.

Flashlight, Night Vision (# 93588) – The Celestron flashlight uses two red LED’s to preserve night vision better than red filters or other devices. Brightness is adjustable. Operates on a single 9-volt included battery.

Collimation Tool (# 94183) – Collimating your Newtonian telescope is easily accomplished with this handy accessory which includes detailed instructions.

Collimation Eyepiece – 1.25” (# 94182) – The collimation eyepiece is ideal for precise collimation of Newtonian telescopes.

Digital Camera Adapter – Universal (# 93626) – A universal mounting platform that allows you to do afocal photography (photography through the eyepiece of a telescope) with your digital camera.



T-Adapter – Universal 1.25” (# 93625) – This adapter fits the 1.25” focuser of your 60AZ, 70AZ & 76AZ telescope. It allows you to attach your 35mm SLR camera for terrestrial as well as lunar and planetary photography.

| PowerSeeker Specifications | 21039 | 21041 | 21036 | 21044 |
|--|---------------------|-------------------|-------------------|------------------------------|
| | PS 50AZ | PS 60AZ | PS 70AZ | PS 76AZ |
| Optical Design | Refractor | Refractor | Refractor | Newtonian |
| Aperture | 50mm (2.0") | 60mm (2.4") | 70mm (2.8") | 76mm (3.0") |
| Focal Length | 600mm | 700mm | 700mm | 700mm |
| Focal Ratio | f/12 | f/12 | f/10 | f/9 |
| Optical Coatings | fully coated | fully coated | fully coated | fully coated |
| Finderscope | 5x24 | 5x24 | 5x24 | 5x24 |
| Diagonal | Star Diagonal 0.96" | Erect Image 1.25" | Erect Image 1.25" | n/a |
| Eyepieces | 20mm .96" (30x) | 20mm 1.25" (35x) | 20mm 1.25" (35x) | 20mm 1.25" Erect Image (35x) |
| | 12mm .96" (50x) | n/a | n/a | n/a |
| | 4mm .96" (150x) | 4mm 1.25" (175x) | 4mm 1.25" (175x) | 4mm 1.25" (175x) |
| Apparent FOV -- 20mm @ 50° | | | | |
| -- 10mm @ 40° | | | | |
| Barlow Lens - 3x | 0.96" | 1.25" | 1.25" | 1.25" |
| | w/20mm (90x) | w/20mm (105x) | w/20mm (105x) | w/20mm (105x) |
| | w/12mm (150x) | n/a | n/a | n/a |
| | w/4mm (450x) | w/4mm (525x) | w/4mm (525x) | w/4mm (525x) |
| Angular Field of View w/20mm eyepiece | 1.7° | 1.4° | 1.4° | 1.4° |
| Linear FOV w/20mm eyepiece -ft/1000yds | 89 | 74 | 74 | 74 |
| Mount | Altazimuth | Altazimuth | Altazimuth | Altazimuth |
| Altitude Locking Knob | yes | yes | yes | yes |
| Azimuth Lock | no | yes | yes | yes |
| CD-ROM "The SkyX" | yes | yes | yes | yes |
| Highest Useful Magnification | 120x | 142x | 165x | 180x |
| Limiting Stellar Magnitude | 11.1 | 11.4 | 11.7 | 11.9 |
| Resolution -- Raleigh (arc seconds) | 2.66 | 2.31 | 1.98 | 1.82 |
| Resolution -- Dawes Limit " " | 2.28 | 1.93 | 1.66 | 1.53 |
| Light Gathering Power | 51x | 73x | 100x | 118x |
| Optical Tube Length | 22" (56cm) | 28" (71cm) | 30" (76cm) | 26" (66cm) |
| Telescope Weight | 1.5# (0.7kg) | 2.0# (0.9kg) | 6# (2.7kg) | 8.5# (3.9kg) |
| Note: Specifications are subject to change without notice or obligation | | | | |



Teleskope der PowerSeeker® Serie **BEDIENUNGSANLEITUNG**

- ***PowerSeeker 50AZ Nr. 21039***
- ***PowerSeeker 60AZ Nr. 21041***
- ***PowerSeeker 70AZ Nr. 21036***
- ***PowerSeeker 76AZ Nr. 21044***

Inhaltsverzeichnis

| | |
|--|----|
| EINFÜHRUNG..... | 3 |
| ZUSAMMENBAU..... | 6 |
| Aufbau des Stativs..... | 6 |
| Anbringen des Teleskoptubus an der Montierung..... | 7 |
| Manuelle Bewegung des Teleskops..... | 8 |
| Installation des Zenitspiegels und der Okulare (Refraktor) – 60AZ..... | 8 |
| Installation des Zenitspiegels und der Okulare (Refraktor) – 50AZ..... | 8 |
| Installation der Okulare in den Newton-Teleskopen..... | 9 |
| Installation und Verwendung der Barlow-Linse..... | 9 |
| Installation und Verwendung des 1,5x bildaufrichtenden Okulars – 50AZ..... | 9 |
| Installation des Sucherfernrohrs..... | 10 |
| Ausrichtung des Suchers (Finderscope)..... | 10 |
| GRUNDLAGEN ZUM TELESKOP..... | 11 |
| Bildorientierung..... | 12 |
| Fokussierung..... | 12 |
| Berechnung der Vergrößerung..... | 12 |
| Ermittlung des Gesichtsfelds..... | 13 |
| Allgemeine Hinweise zur Beobachtung..... | 13 |
| GRUNDLAGEN DER ASTRONOMIE..... | 14 |
| Das Himmelskoordinatensystem..... | 14 |
| Bewegung der Sterne..... | 15 |
| HIMMELSBEOBACHTUNG..... | 16 |
| Mondbeobachtung..... | 16 |
| Beobachtung der Planeten..... | 16 |
| Beobachtung der Sonne..... | 16 |
| Beobachtung der Deep-Sky-Objekte..... | 17 |
| Beobachtungsbedingungen..... | 19 |
| ASTROFOTOGRAFIE..... | 20 |
| Primärfokus-Fotografie mit kurzen Belichtungszeiten..... | 20 |
| Planeten- und Mondfotografie mit Spezial-Imager..... | 20 |
| CCD-Aufnahmen von Deep-Sky-Objekten..... | 20 |
| Terrestrische Fotografie..... | 20 |
| PFLEGE DES TELESKOPS..... | 21 |
| Pflege und Reinigung der Optik..... | 21 |
| Kollimation eines Newton-Teleskops..... | 21 |
| OPTIONALES ZUBEHÖR..... | 24 |
| TECHNISCHE DATEN FÜR POWERSEEKER..... | 25 |

CELESTRON® **Einführung**

Herzlichen Glückwunsch zum Kauf Ihres PowerSeeker-Mikroskops. Die Teleskope der PowerSeeker-Serie sind in mehreren verschiedenen Modellen erhältlich. Diese Bedienungsanleitung gilt für vier Modelle, die auf der Alt-AZ-Montierung montiert werden ((Altazimut ist die einfachste Montierungsart mit zwei Bewegungen – Höhe (aufwärts u. abwärts) und Azimut (von Seite zu Seite)) --- 50mm-Refraktor, 60mm-Refraktor, 70mm-Refraktor und 76mm-Newton. Die PowerSeeker-Serie ist aus Materialien von höchster Qualität gefertigt, um Stabilität und Haltbarkeit zu gewährleisten. All das ergibt ein Teleskop, das Ihnen mit minimalen Wartungsanforderungen viele Jahre Freude bereitet.

Diese Teleskope, die einen außergewöhnlichen Wert bieten, wurden für Erstkäufer entwickelt. Die PowerSeeker-Serie zeichnet sich durch ein kompaktes, portables Design sowie eine umfangreiche optische Leistung aus, die den Anfänger auf dem Gebiet der Amateurastronomie begeistern wird. Außerdem ist das PowerSeeker-Teleskop mit seiner überragenden High-Power-Leistung ideal zur terrestrischen Beobachtung geeignet.

Für unsere PowerSeeker-Teleskope wird eine **eingeschränkte Zwei-Jahres-Garantie** gegeben. Nähere Einzelheiten finden Sie auf unserer Website unter www.celestron.com.

Die vielen Standardmerkmale der PowerSeeker-Teleskope umfassen:

- Vollständig glasbeschichtete optische Elemente für klare, scharfe Bilder.
- Leichtgängige Funktion, starre Altazimut-Montierung mit einfacher Richtung auf lokalisierte Objekte.
- Das vormontierte Aluminiumstativ gewährleistet eine stabile Plattform.
- Schneller und einfacher Aufbau ohne Werkzeuge.
- CD-ROM „The SkyX“ -- Astronomiesoftware, die lehrreiche Informationen zum Himmel und Himmelskarten zum Ausdrucken enthält.
- Alle Modelle können mit dem im Lieferumfang enthaltenen Standardzubehör zur terrestrischen und astronomischen Beobachtung verwendet werden.

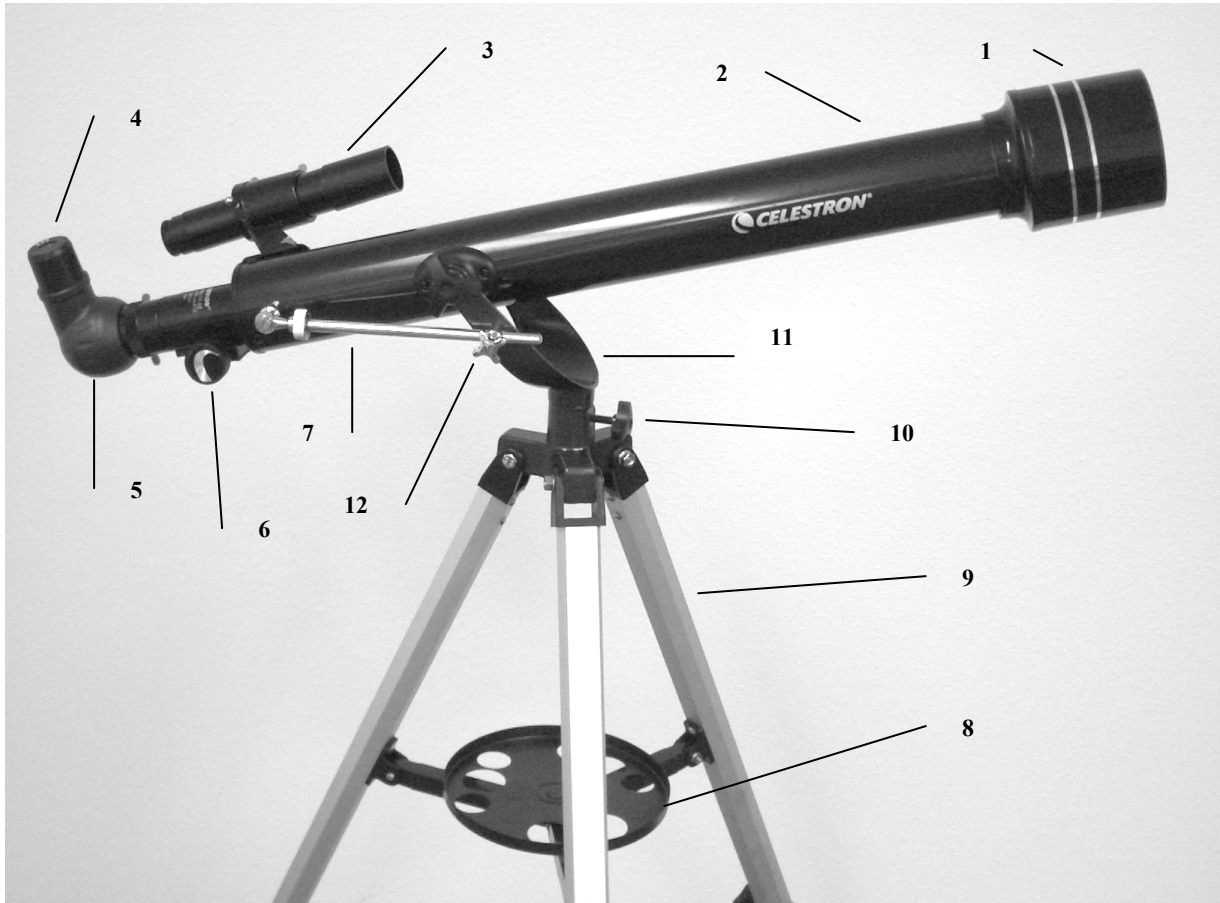
Nehmen Sie sich Zeit, bevor Sie sich aufmachen, das Universum zu erkunden, um dieses Handbuch durchzulesen. Vielleicht brauchen Sie ein paar Beobachtungssessions, um sich mit Ihrem Teleskop vertraut zu machen. Halten Sie daher diese Bedienungsanleitung griffbereit, bis Sie den Betrieb Ihres Fernrohrs komplett beherrschen. Das Handbuch enthält detaillierte Informationen zu allen Verwendungsschritten sowie das erforderliche Referenzmaterial und nützliche Hinweise, mit denen Sie Ihr Beobachtungserlebnis einfach und angenehm gestalten können.

Ihr Teleskop wurde so entwickelt, dass es Ihnen viele Jahr Freude bereitet und interessante Beobachtungen ermöglicht. Sie müssen jedoch vor der Verwendung Ihres Teleskops einige Gesichtspunkte beachten, um Ihre Sicherheit und den Schutz Ihres Instruments zu gewährleisten.

Achtung:



- **Niemals mit bloßem Auge oder mit einem Teleskop (außer bei Verwendung eines vorschriftsmäßigen Sonnenfilters) direkt in die Sonne schauen. Sie könnten einen permanenten und irreversiblen Augenschaden davontragen.**
- **Niemals das Teleskop zur Projektion eines Bildes der Sonne auf eine Oberfläche verwenden. Durch die interne Wärmeakkumulation kann das Teleskop und etwaiges daran angeschlossenes Zubehör beschädigt werden.**
- **Niemals einen Okularsonnenfilter oder einen Herschel-Keil verwenden. Die interne Wärmeakkumulation im Teleskop kann zu Rissen oder Brüchen dieser Instrumente führen. Dadurch könnte ungefiltertes Sonnenlicht ins Auge gelangen.**
- **Das Teleskop nicht unbeaufsichtigt lassen, wenn Kinder oder Erwachsene, die möglicherweise nicht mit den richtigen Betriebsverfahren Ihres Teleskops vertraut sind, gegenwärtig sind.**



**Abb. 1-1 PowerSeeker 60AZ-Refraktor
(PowerSeeker 50AZ und PowerSeeker 70AZ ähnlich)**

| | | | |
|----|------------------------|-----|--|
| 1. | Objektivlinse | 7. | Höhenfeineinstellungsstange (nicht auf 50AZ) |
| 2. | Teleskoprohr mit Optik | 8. | Zubehörablage |
| 3. | Sucherfernrohr | 9. | Stativ |
| 4. | Okular | 10. | Azimet-Sperre (nicht auf 50AZ) |
| 5. | Zenitspiegel | 11. | Alt-Az-Montierung |
| 6. | Fokussierknopf | 12. | Höhenfeststellknopf |



Abb. 1-2 PowerSeeker 76AZ Newton-Teleskop

| | | | |
|----|--|-----|-------------------|
| 1. | Sucherfernrohr | 7. | Azimet-Sperre |
| 2. | Okular | 8. | Zubehörablage |
| 3. | Kollimationseinstellschrauben (hinten) | 9. | Stativ |
| 4. | Teleskoprohr mit Optik | 10. | Alt-Az-Montierung |
| 5. | Hauptspiegel | 11. | Höhenarretierung |
| 6. | Höhenfeineinstellungsstange | 12. | Fokussierknopf |

CELESTRON® **Zusammenbau**

Dieser Abschnitt enthält die Anleitung zum Zusammenbau des PowerSeeker-Teleskops. Ihr Teleskop sollte das erste Mal in einem Innenraum aufgebaut werden, um die Identifikation der verschiedenen Teile zu erleichtern und damit Sie sich besser mit dem richtigen Aufbauverfahren vertraut machen können, bevor Sie es im Freien versuchen.

Das PowerSeeker-Teleskop ist immer in einem Karton verpackt. Die Komponenten im Karton für alle Modelle sind: Rohr mit Optik, Altazimut-Montierung und CD-ROM „The SkyX“. Das 50AZ umfasst: 0,96“-Zubehörteile – 20-mm-Okular, 12-mm-Okular, 4-mm-Okular, 3x Barlow-Linse und 1,5x bildaufrichtendes Okular. Das 60AZ, 70AZ und 76AZ umfassen 1,25“-Zubehörteile – 20-mm-Okular (Aufrechtbild für 76AZ), 4-mm-Okular, 3x Barlow-Linse, Zenitspiegel für aufrechtes Bild für 60AZ.

Aufbau des Stativs

1. Nehmen Sie das Stativ aus der Verpackung (Abb. 2-1). Das Stativ ist bereits vormontiert, um den Aufbau zu vereinfachen. Die Stativbeine für die verschiedenen Modelle sind unterschiedlich, aber sie sehen alle ähnlich wie auf den nachstehenden Fotos aus.
2. Stellen Sie das Stativ aufrecht hin und ziehen Sie die Stativbeine auseinander, bis alle Beine ganz ausgezogen sind. Drücken Sie dann leicht auf die Beinstrebe des Stativs (Abb. 2-2). Der obere Teil des Stativs wird Stativkopf (AZ-Montierung) genannt.
3. Als Nächstes installieren wir die Zubehörablage des Stativs (Abb. 2-3) auf der Beinstrebe des Stativs (in der Mitte von Abb. 2-2).
4. Unten an der Stativzubehörablage ist eine Schraube am Mittelpunkt befestigt (außer am 50AZ). Die Schraube wird im Uhrzeigersinn in ein Gewindeloch in der Mitte der Beinstrebe des Stativs eingeschraubt. Zur Beachtung: die Beinstrebe des Stativs leicht hochziehen, um die Befestigung zu erleichtern. Drehen Sie die Ablage weiter, bis sie fest von Hand angezogen ist – ziehen Sie die Ablage nicht zu fest an. Das 50AZ ist etwas anders aufgebaut: hier wird ein kleiner Knopf in der Mitte der Ablage losgedreht (siehe Abb. 2-3a) und dann die Ablage über das Gewindeloch gesetzt und der Knopf festgedreht, um die Ablage zu sichern.

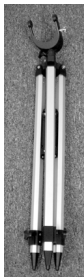


Abb. 2-1



Abb. 2-2



Abb. 2-3

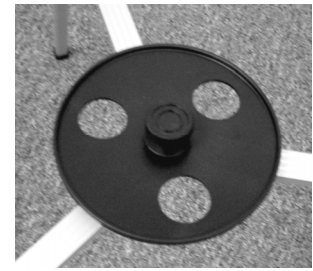


Abb. 2-4

5. Jetzt ist das Stativ komplett zusammengebaut (Abb. 2-4).
6. Die Beine des Stativs können auf die gewünschte Höhe ausgezogen werden. Die geringste Höhe ist ca. 69 cm. Mit voll ausgefahrenen Beinen hat das Stativ eine Höhe von ca. 119 cm. Entriegeln Sie die Feststellknöpfe unten an jedem Stativbein (Abb. 2-5), indem Sie sie gegen den Uhrzeigersinn drehen, und ziehen Sie die Beine auf die gewünschte Höhe heraus. Arretieren Sie dann die Feststellknöpfe wieder fest. Das Stativ mit vollständig ausgezogenen Beinen sieht wie in Abb. 2-6 abgebildet aus.
7. Das Stativ hat in den geringsten Höhen den festesten und stabilsten Stand.



Abb. 2-4

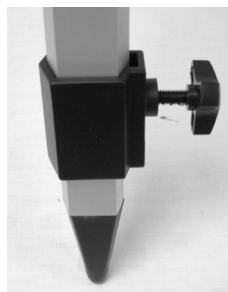


Abb. 2-5

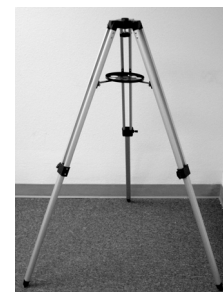


Abb. 2-6

Anbringen des Teleskoptubus an der Montierung

Der optische Tubus des Teleskops wird an der Altazimut-Montierung mit der Höhenfeineinstellungsstange und den jeweiligen Knöpfen für das 60AZ, 70AZ und 76AZ befestigt. Das 50AZ wird direkt am Kopf der Altazimut-Montierung befestigt.

Entfernen Sie vor Beginn auch den Deckel der Objektivlinse (Refraktor) oder den Deckel der vorderen Öffnung (Newton). So montieren Sie den Teleskoptubus an der Montierung für das 60AZ, 70AZ und 76AZ:

1. Entfernen Sie das Schutzpapier vom optischen Tubus.
2. Stecken Sie den optischen Tubus des Teleskops in die Joch-(Altazimut)-Montierung, so dass die Höhenfeineinstellungsstange auf der gleichen Seite ist wie die Höhenfeststellschraube (siehe Abb. 1-1). **Es ist zu beachten, dass die Stange bei manchen Teleskopen am optischen Tubus installiert sein kann. Wenn die Stange nicht am optischen Tubus angebracht ist, entfernen Sie die Schraube vom Mechanismus (mit dem mitgelieferten Werkzeug), der ganz links in Abb. 2-7 gezeigt ist, und bringen die Stange wie in Abb. 2-7 gezeigt an. Stecken Sie dann die Schraube durch die Bohrung in der Stange und in den Mechanismus und ziehen Sie sie fest an.**
3. Drehen Sie den Höhenfeststellknopf heraus, so dass die Öffnung in der Augenschraube frei liegt (siehe Abb. 2-8).
4. Stecken Sie die Stange durch die Augenschraube und ziehen Sie den Höhengestellknopf fest – siehe Abb. 2-9.
5. Drehen Sie die beiden Knöpfe (einer auf jeder Seite der Montierung) durch den oberen Teil der Montierung in die Gewindeöffnungen im optischen Tubus und ziehen Sie sie fest – Abb. 2-7.



Abb. 2-7

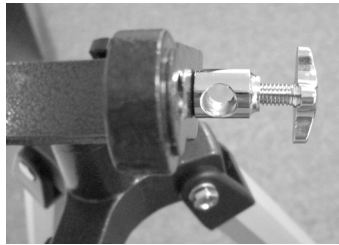


Abb. 2-8



Abb. 2-9

Für das 50AZ führen Sie folgende Schritte aus:

1. Entfernen Sie das Schutzpapier vom optischen Tubus.
2. Platzieren Sie das Rohr mit der Optik des Teleskops auf der Altazimutmontierung, so dass die Öffnung oben in der Plattform des optischen Tubus mit den Öffnungen im Montierungskopf ausgerichtet ist – siehe Abb. 2-11.
3. Stecken Sie den Höhenfeststellknopf (siehe Mitte von Abb. 2-10) durch den Montierungskopf und die Plattform des optischen Tubus (stellen Sie sicher, dass die Öffnung ganz frei liegt, bevor Sie den Knopf festziehen).



Abb. 2-10



Abb. 2-11

Manuelle Bewegung des Teleskops

Die PowerSeeker Alt-Az-Montierung lässt sich leicht in jede gewünschte Richtung bewegen. Beim 60AZ, 70AZ und 76AZ Modell wird die Auf- und Abbewegung (Höhe) durch den Höhenfeststellknopf gesteuert (Abb. 2-12). Die Bewegung von einer Seite zur anderen (Azimut) wird mit der Azimut-Sperre gesteuert (Abb. 2-12). Im gelösten Zustand der Knöpfe lassen sich Ihre Objekte leicht auffinden (durch das Sucherteleskop). Danach können die Kontrollelemente wieder arretiert werden.

Für Höhenfeineinstellungen drehen Sie den Rändelring der Höhenfeineinstellungsstange (bei festgestellter Höhenarretierung) in eine von beiden Richtungen – siehe Abb. 2-9.



Abb. 2-12

Beim 50AZ-Modell drehen Sie den Höhenfeststellknopf los – siehe Abb. 2-9 – und bewegen dann das Teleskop an die gewünschte Stelle. Drehen Sie dann den Höhenfeststellknopf fest.

Hinweis: Vor dem Feststellen des Höhenfeststellknopfs sollte sich der gesuchte Ort im Sucherteleskop befinden.

Installation des Zenitspiegels und der Okulare (Refraktor) – 60AZ und 70AZ

Der Zenitspiegel ist ein Prisma, das das Licht im rechten Winkel zum Lichtpfad des Refraktors ablenkt. Das ermöglicht Ihnen die Beobachtung in einer bequemerer Position, als wenn Sie gerade durchschauen müssten. Dieser Zenitspiegel ist ein Aufrecht-Bild-Modell, das das Bild so korrigiert, dass es mit der richtigen Seite nach oben und mit seitenrichtiger Ausrichtung erscheint. Das ist einfacher für die Verwendung zur terrestrischen Beobachtung. Der Zenitspiegel kann auch in jede Position gedreht werden, die für Sie am günstigsten ist. Installation des Zenitspiegels und der Okulare:

1. Setzen Sie die kleine Steckhülse des Zenitspiegels in den 1,25“-Okularadapter des Fokussiertubus am Refraktor (Abb. 2-13). Achten Sie darauf, dass die beiden Daumenschrauben am Okularadapter vor der Installation nicht in den Fokussiertubus ragen und dass der Verschlussdeckel vom Okularadapter entfernt wurde.
2. Setzen Sie das verchromte Ende der Steckhülse eines der Okulare in den Zenitspiegel und ziehen Sie die Daumenschraube fest. Hierbei müssen Sie wieder sicherstellen, dass die Daumenschraube nicht in den Zenitspiegel ragt, bevor das Okular eingesteckt wird.
3. Die Okulare können durch Umkehr des Verfahrens in Schritt 2 oben auf andere Brennweiten eingestellt werden.



Abb. 2-13

Installation des Zenitspiegels und der Okulare (Refraktor) – 50AZ



Abb. 2-14

Der Zenitspiegel für das 50AZ-Modell wird Star-Zenitspiegel genannt. Das Prisma korrigiert das Bild so, dass es aufrecht ist (Aufrechtbild), aber das Bild ist seitenverkehrt. Der Zenitspiegel und die Okulare haben eine 0,96“-Durchmessergröße. Alle vorstehenden Schritte sind gleich für das 50AZ-Modell.

Installation der Okulare in den Newton-Teleskopen

Das Okular ist ein optisches Element, das das vom Teleskop fokussierte Bild vergrößert. Ohne das Okular wäre eine Benutzung des Teleskops zur Visualisierung nicht möglich. Okulare werden in der Regel durch Angabe ihrer Brennweite und des Durchmessers der Steckhülse charakterisiert. Je länger die Brennweite (d.h. je höher dieser Wert) desto geringer die Okularvergrößerung (d.h. Vergrößerungsleistung). Im Allgemeinen werden Sie bei der Betrachtung eine niedrige bis mäßige Vergrößerungsleistung verwenden. Nähere Informationen zur Bestimmung der Vergrößerungsleistung finden Sie im Abschnitt „Berechnung der Vergrößerung“. Das Okular wird direkt in den Fokussierer der Newton-Teleskope gesteckt. Aufsetzen der Okulare:



Abb. 2-15

1. Achten Sie darauf, dass die Daumenschrauben nicht in den Fokussiertubus ragen. Stecken Sie dann die Chrom-Steckhülse des Okulars in den Fokussiertubus (zuerst den Verschlussdeckel des Fokussierers entfernen) und ziehen Sie die Daumenschrauben fest (Abb. 2-15).
2. Das 20 mm-Okular hat die Bezeichnung „bildaufrichtendes Okular“, da es das Bild so korrigiert, dass es mit der richtigen Seite nach oben und mit seitenrichtiger Ausrichtung erscheint. Durch dieses Merkmal kann das Teleskop für terrestrische Beobachtung eingesetzt werden.
3. Zum Austausch der Okulare wird das oben beschriebene Verfahren umgekehrt.

Installation und Verwendung der Barlow-Linse

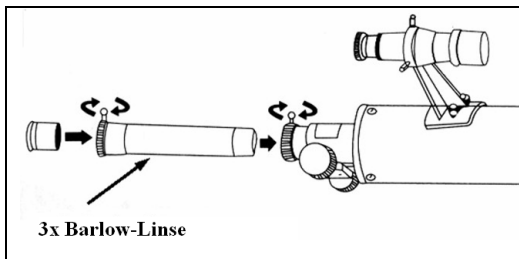


Abb. 2-16

Im Lieferumfang Ihres Teleskops ist auch eine 3x Barlow-Linse, die die Vergrößerungsleistung jedes Okulars verdreifacht. Die stark vergrößerten Bilder sollten jedoch nur unter idealen Bedingungen verwendet werden – siehe den Abschnitt „Berechnung der Vergrößerung“ dieser Bedienungsanleitung.

Zur Verwendung der Barlow-Linse mit Refraktoren entfernen Sie den Zenitspiegel und stecken die Barlow-Linse direkt in den Fokussiertubus. Dann stecken Sie ein Okular in die Barlow-Linse zur Beobachtung. Sie können auch den Zenitspiegel in die Barlow-Linse einstecken und dann ein Okular im Zenitspiegel verwenden, aber es ist u.U. nicht möglich, mit allen Okularen eine Scharfstellung zu erzielen.

Bei Newton-Teleskopen stecken Sie die Barlow-Linse direkt in den Fokussierer. Stecken Sie dann ein Okular in die Barlow-Linse.

Hinweis: Beginnen Sie mit einem Okular von geringer Vergrößerungsleistung. Die Scharfstellung ist dann einfacher.

Installation und Verwendung des 1,5x bildaufrichtenden Okulars – 50AZ

Das PowerSeeker 50AZ wird mit einem 1,5x bildaufrichtenden Okular geliefert. Es dient primär für terrestrische Beobachtungen am Tage. Dieses Okular korrigiert das im Teleskop erscheinende Bild, so dass es aufrecht und seitenkorrekt ist.

Installieren und verwenden Sie dieses Okular auf die gleiche Weise wie die Barlow-Linse im Abschnitt oben. Bei Verwendung dieses Okulars ist die Barlow-Linse nicht einsetzbar.

Bei der Verwendung des bildaufrichtenden Okulars sind die Vergrößerungsleistungen der verschiedenen Okulare wie folgt:

- mit 20 mm = 45x
- mit 12 mm = 75x
- mit 4 mm = 225x

Installation des Sucherfernrohrs

Installation des Sucherfernrohrs:

1. Machen Sie das Sucherfernrohr ausfindig (es ist in der Sucherfernrohrhalterung montiert) – siehe Abb. 1-1 und 1-2.
2. Entfernen Sie die Rändelmuttern an den Gewindestangen am optischen Tubus – siehe Abb. 2-17.
3. Montieren Sie die Sucherfernrohrhalterung, indem Sie sie über die Stangen platzieren, die vom optischen Tubus vorstehen. Halten Sie sie dann so angesetzt und schrauben Sie die Rändelmuttern auf und ziehen Sie diese fest.
4. Beachten Sie, dass das Sucherfernrohr so orientiert werden sollte, dass die Linse mit dem größeren Durchmesser zur Vorderseite des optischen Tubus hin gerichtet ist.
5. Nehmen Sie den Objektivdeckel von beiden Enden des Teleskops ab.



Abb. 2-17

Ausrichtung des Suchers (Finderscope)

Verfahren zur Ausrichtung des Sucherfernrohrs:

1. Machen Sie ein entferntes Objekt am Tage ausfindig und zentrieren Sie es in einem Okular mit geringer Vergrößerungskraft (20 mm) im Hauptteleskop.
2. Schauen Sie durch den Sucher (Okularende des Sucherfernrohrs) und notieren Sie die Position des gleichen Objekts.
3. Drehen Sie, ohne das Hauptteleskop zu bewegen, die Einstellungs-Daumenschrauben, die sich um die Sucherfernrohrhalterung befinden, bis das Fadenkreuz des Sucherfernrohrs auf dem mit dem Hauptteleskop gewählten Objekt zentriert ist.

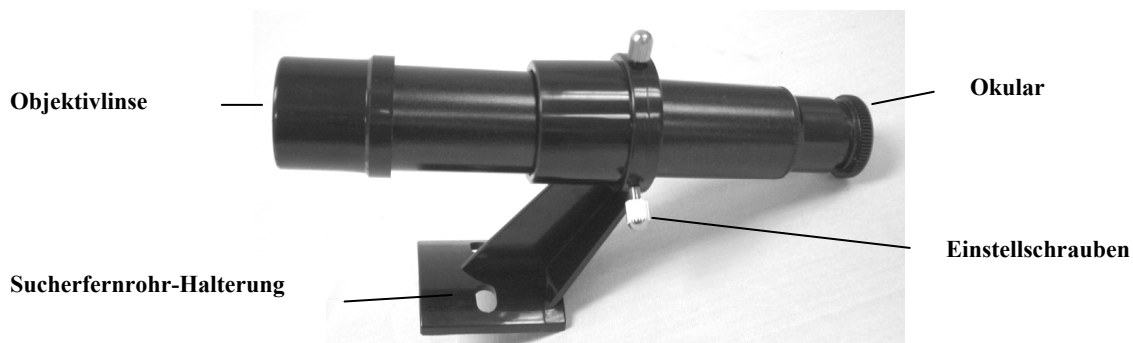


Abb. 2-18 Sucherfernrohr mit Halterung

CELESTRON® Grundlagen zum Teleskop

Ein Teleskop ist ein Instrument, das Licht sammelt und fokussiert. Die Art des optischen Designs bestimmt, wie das Licht fokussiert wird. Teleskope, die Linsen verwenden, werden Refraktoren genannt. Teleskope, die Spiegel verwenden, werden Reflektoren (Newton) genannt.

Der **Refraktor** wurde Anfang der 1600er entwickelt. Er ist das älteste Teleskopdesign. Sein Name leitet sich von dem Verfahren ab, das zur Fokussierung der eintretenden Lichtstrahlen verwendet wird. Der Refraktor verwendet eine Linse zur Beugung oder Refraktion der eintretenden Lichtstrahlen, daher der Name (siehe Abb. 3-1). Frühe Designs verwendeten Ein-Element-Linsen. Die Einzellinse wirkt jedoch wie ein Prisma und das Licht bricht sich in den Regenbogenfarben. Dieses Phänomen ist als chromatische Aberration bekannt. Um dieses Problem zu vermeiden, wurde eine Zwei-Element-Linse, die unter der Bezeichnung Achromatlinse bekannt ist, eingeführt. Jedes Element hat einen anderen Refraktionsindex, der ermöglicht, dass zwei verschiedene Lichtwellenlängen am gleichen Punkt fokussiert werden. Die meisten Zwei-Element-Linsen, die für gewöhnlich aus Flintglas und Kronglas bestehen, werden für rotes und grünes Licht korrigiert. Blaues Licht kann immer noch an einem leicht abweichenden Punkt fokussiert werden.

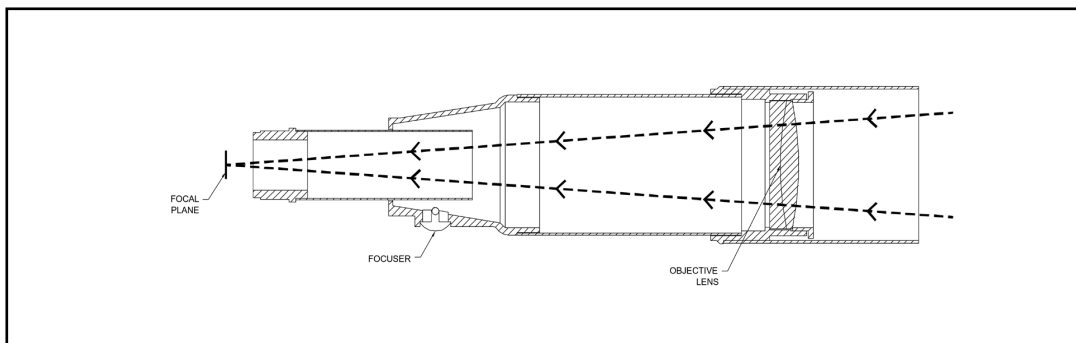


Abb. 3-1
Schnittzeichnung des Lichtpfads der Refraktor-Optik

Ein **Newton-Reflektor** verwendet einen einzelnen konkaven Spiegel als Primärelement. Das Licht tritt in einen Tubus ein und trifft auf den Spiegel am hinteren Ende. Dort wird das Licht nach vorn im Tubus auf einen Punkt, seinen Brennpunkt, gebeugt. Da der Reflektor nicht funktionieren würde, wenn man seinen Kopf vor das Teleskop hält, um das Bild mit einem Okular zu betrachten, fängt ein flacher Spiegel, der *Zenitspiegel* genannt wird, das Licht ab und richtet es im rechten Winkel zum Tubus auf die Seiten des Tubus. Dort befindet sich das Okular zur einfachen Betrachtung.

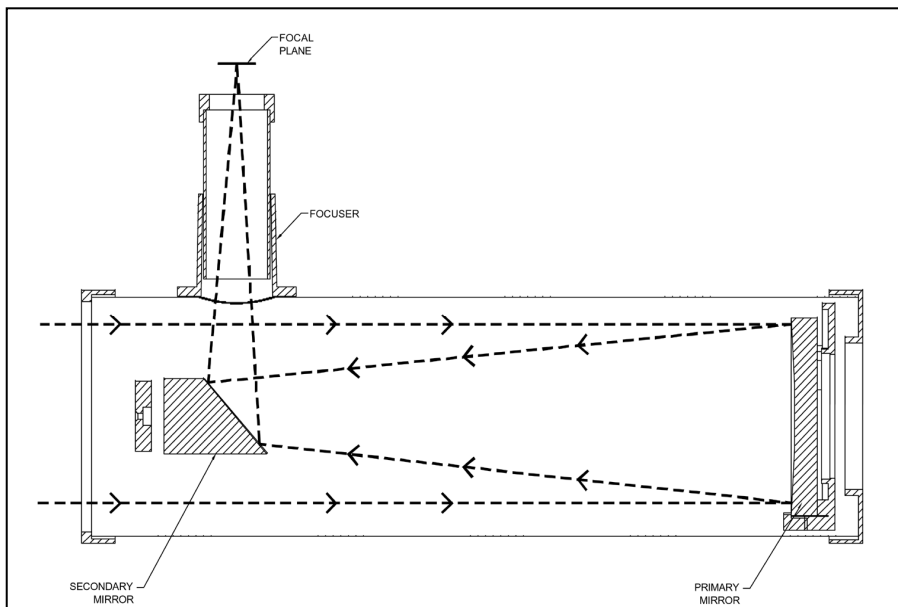


Abb. 3-2
Schnittzeichnung des Lichtpfads der Newton-Optik

Newton-Reflektorteleskope ersetzen schwere Linsen durch Spiegel, die das Licht sammeln und fokussieren, so dass der Benutzer eine bessere Lichtsammelleistung für den gezahlten Preis erhält. Da der Lichtweg unterbrochen und das Licht seitlich wegreflektiert wird, lassen sich Brennweiten von bis zu 1000 mm realisieren, wobei das Teleskop trotzdem noch relativ kompakt und portabel gehalten werden kann. Ein Newton-Reflektorteleskop bietet so beeindruckende Lichtsammeleigenschaften, dass Sie selbst mit einem bescheidenen Budget ein ernsthaftes Interesse an der Astronomie des tiefen Weltraums zeigen können. Die Newton-Reflektorteleskope erfordern jedoch mehr Pflege und Wartung, weil der Hauptspiegel Luft und Staub ausgesetzt wird. Aber dieser kleine Nachteil tut der Popularität dieser Art von Teleskop bei den Benutzern, die sich ein preiswertes Teleskop mit der Fähigkeit zur Auflösung von lichtschwachen, entfernten Objekten wünschen, keinen Abbruch.

Bildorientierung

Die Bildorientierung ändert sich je nachdem, wie das Okular im Teleskop eingesetzt wird. Bei Verwendung eines Star-Zenitspiegels mit Refraktoren ist das Bild aufrecht, aber seitenverkehrt (links und rechts vertauscht, d.h. Spiegelbild). Wenn das Okular direkt in den Fokussierer eines Refraktors gesetzt wird (d.h. ohne den Zenitspiegel), ist das Bild auf dem Kopf und seitenverkehrt (d.h. invertiert). Bei Verwendung des PowerSeeker-Refraktors und des Standardzenitspiegels für aufrechtes Bild sind die Bilder jedoch in jeder Hinsicht richtig orientiert.

Newton-Reflektoren produzieren ein aufrechtes Bild, aber das Bild erscheint gedreht, basierend auf der Position des Okularhalters relativ zum Boden. Wenn jedoch das Aufrechtbild-Okular, das im Lieferumfang des PowerSeeker-Newton enthalten ist, verwendet wird, ist das Bild richtig ausgerichtet.



Abb. 3-3

Fokussierung

Zur Fokussierung Ihres Refraktor- oder Newton-Teleskops drehen Sie einfach den Fokussierknopf direkt unter dem Okularhalter (siehe Abb. 2-13, 2-14 und 2-15). Wenn der Knopf im Uhrzeigersinn gedreht wird, können Sie ein Objekt scharf einstellen, das weiter entfernt ist als das gegenwärtig beobachtete Objekt. Wenn der Knopf gegen den Uhrzeigersinn gedreht wird, können Sie ein Objekt scharf einstellen, das näher ist als das gegenwärtig beobachtete Objekt.

Hinweis: Wenn Sie Korrekturlinsen/-gläser (insbesondere eine Brille) tragen, werden Sie es vielleicht bevorzugen, diese abzusetzen, wenn Sie Beobachtungen durch ein Okular des Fernrohrs vornehmen. Bei Verwendung einer Kamera sollten Sie jedoch immer Ihre Korrekturlinsen auflassen, um die schärfstmögliche Einstellung zu gewährleisten. Wenn Sie Hornhautverkrümmung (Astigmatismus) haben, müssen Sie Ihre Korrekturlinsen immer tragen.

Berechnung der Vergrößerung

Die Vergrößerungskraft des Teleskops kann durch Wechsel des Okulars geändert werden. Zur Bestimmung der Vergrößerung Ihres Teleskops teilen Sie einfach die Brennweite des Teleskops durch die Brennweite des verwendeten Okulars. Die Formel kann in Form einer Gleichung ausgedrückt werden:

$$\text{Vergrößerung} = \frac{\text{Brennweite des Teleskops (mm)}}{\text{Brennweite des Okulars (mm)}}$$

Angenommen, Sie verwenden das 20mm-Okular, das im Lieferumfang des Teleskops enthalten ist. Um die Vergrößerung zu bestimmen, teilen Sie einfach die Brennweite Ihres Teleskops (das in diesem Beispiel verwendete PowerSeeker 60AZ hat eine Brennweite von 700 mm) durch die Brennweite des Okulars, nämlich 20 mm. Die Division von 700 durch 20 ergibt eine Vergrößerungskraft von 35x.

Obwohl die Vergrößerungsleistung variabel ist, hat jedes Gerät unter einem normalen Himmel eine obere Grenze der maximalen nützlichen Vergrößerung. Die allgemeine Regel ist, dass eine Vergrößerungsleistung von 60 für jeden Zoll Blendenöffnung verwendet werden kann. Zum Beispiel hat das PowerSeeker 60AZ-Teleskop einen Durchmesser von 2,4 Zoll. 2,4 mal 60 ergibt eine maximale nützliche Vergrößerung von 144. Obwohl das die maximale nützliche Vergrößerung ist, finden die meisten Beobachtungen im Bereich von 20 bis 35 Vergrößerung für jeden Zoll Blendenöffnung statt, d.h. beim PowerSeeker 60AZ-Teleskop ist es das 48- bis 84-Fache. Sie können die Vergrößerung für Ihr Teleskop auf die gleiche Weise ermitteln.

Hinweis zur Verwendung von hohen Vergrößerungsleistungen – Die höheren Vergrößerungsleistungen werden hauptsächlich für Mond- und manchmal Planetenbeobachtungen verwendet, wo man das Bild stark vergrößern kann. Vergessen Sie aber nicht, dass der Kontrast und die Helligkeit aufgrund der hohen Vergrößerung sehr gering sind. Wenn Sie das 4-mm-Okular mit der 3x-Barlow-Linse verwenden, erhalten Sie eine extrem hohe Vergrößerungsleistung, die an seltenen Gelgenheiten verwendet werden kann. Sie erzielen die Vergrößerungsleistung, aber das Bild ist dunkel mit geringem Kontrast, weil es maximal vergrößert wurde. Für die hellsten Bilder mit optimalem Kontrast verwenden Sie geringere Vergrößerungsleistungen.

Ermittlung des Gesichtsfelds

Die Bestimmung des Gesichtsfelds ist wichtig, wenn Sie sich eine Vorstellung von der Winkelgröße des beobachteten Objekts machen wollen. Zur Berechnung des tatsächlichen Gesichtsfelds dividieren Sie das scheinbare Gesichtsfeld des Okulars (vom Hersteller des Okulars angegeben) durch die Vergrößerung. Die Formel kann in Form einer Gleichung ausgedrückt werden:

$$\text{Wahres Feld} = \frac{\text{Scheinbares Feld des Okulars}}{\text{Vergrößerung}}$$

Wie Sie sehen, müssen Sie vor der Berechnung des Gesichtsfelds erst die Vergrößerung berechnen. Unter Verwendung des Beispiels im vorherigen Abschnitt können wir das Gesichtsfeld mit dem gleichen 20 mm-Okular, das im Standardlieferungsumfang des PowerSeeker 60AZ-Teleskops enthalten ist, bestimmen. Das 20-mm-Okular hat ein scheinbares Gesichtsfeld von 50°. Teilen Sie die 50° durch die Vergrößerung, d.h. 35. Das ergibt ein tatsächliches (wahres) Feld von 1,4°.

Zur Umrechnung von Grad in Fuß bei 914 m (1000 Yard), was zur terrestrischen Beobachtung nützlicher ist, multiplizieren Sie einfach mit 52,5. Multiplizieren Sie nun weiter in unserem Beispiel das Winkelfeld von 1,4° mit 52,5. Das ergibt eine lineare Feldbreite von 74 Fuß im Abstand von 1000 Yard.

Allgemeine Hinweise zur Beobachtung

Bei der Arbeit mit jedem optischen Gerät gibt es ein paar Dinge, an die man denken muss, um sicherzustellen, dass man das bestmögliche Bild erhält.

- Niemals durch Fensterglas schauen. Glas in Haushaltsfenstern ist optisch nicht perfekt und verschiedene Teile des Fensters können daher von unterschiedliche Dicke sein. Diese Unregelmäßigkeiten beeinträchtigen (u.U.) die Fähigkeit der Scharfstellung des Teleskops. In den meisten Fällen werden Sie kein wirklich scharfes Bild erzielen können. In anderen Fällen können Sie sogar ein doppeltes Bild sehen.
- Niemals durch oder über Objekte hinwegsehen, die Hitzewellen produzieren. Dazu gehören Asphaltparkplätze an heißen Sommertagen oder Gebäudedächer.
- Ein diesiger Himmel, starker oder leichter Nebel können die Scharfstellung bei der terrestrischen Beobachtung ebenfalls erschweren. Unter diesen Bedingungen sind Details nur schwierig zu sehen.
- Wenn Sie Korrekturlinsen/-gläser (insbesondere eine Brille) tragen, werden Sie es vielleicht bevorzugen, diese abzusetzen, wenn Sie Beobachtungen durch ein Okular des Fernrohrs vornehmen. Bei Verwendung einer Kamera sollten Sie jedoch immer Ihre Korrekturlinsen auflassen, um die schärfstmögliche Einstellung zu gewährleisten. Wenn Sie Hornhautverkrümmung (Astigmatismus) haben, müssen Sie Ihre Korrekturlinsen immer tragen.

Bis jetzt hat dieses Handbuch den Aufbau und den Grundbetrieb Ihres Teleskops behandelt. Um ein gründlicheres Verständnis Ihres Teleskops zu bekommen, müssen Sie jedoch ein paar Dinge über den Nachthimmel lernen. Dieser Abschnitt befasst sich mit der Beobachtungsastronomie im Allgemeinen und umfasst Informationen zum Nachthimmel und zur Polarausrichtung.

Das Himmelskoordinatensystem

Um die Auffindung von Objekten im Himmel zu erleichtern, verwenden Astronomen ein Himmelskoordinatensystem, das unserem geographischen Koordinatensystem hier auf der Erde ähnelt. Das Himmelskoordinatensystem hat Pole, Linien für Breiten- und Längengrade und einen Äquator. Diese sind zum Großteil unveränderlich vor den Hintergrundsternen.

Der Himmelsäquator verläuft 360 Grad um die Erde und scheidet den Himmel in eine nördliche und eine südliche Hemisphäre. Wie der Erdäquator hat er einen Wert von Null Grad. Auf der Erde wäre das Breitengrad. Aber im Himmel wird das als Deklination, kurz DEC, bezeichnet. Die Deklinationslinien werden im Hinblick auf ihre Winkeldistanz über und unter dem Himmelsäquator bezeichnet. Die Linien sind in Grade, Bogenminuten und Bogensekunden gegliedert. Die Deklinationsangaben südlich des Äquators haben ein Minuszeichen (-) vor der Koordinate und diejenigen nördlich vom Himmelsäquator haben entweder ein Leerzeichen (d.h. keine Kennzeichnung) oder es ist ein Pluszeichen (+) vorangestellt.

Die Entsprechung des Längengrades im Himmel wird Rektaszension (Right Ascension; RA) genannt. Wie die Längengrade auf der Erde verlaufen diese von Pol zu Pol und haben einen gleichmäßigen Abstand voneinander (15 Grad). Obwohl die Längengrade durch eine Winkeldistanz getrennt sind, sind sie auch ein Zeitmaß. Jeder Längengrad ist eine Stunde vom nächsten entfernt. Da die Erde alle 24 Stunden eine Umdrehung abschließt, gibt es insgesamt 24 Grade. Daher werden die Rektaszensionskoordinaten in Zeiteinheiten markiert. Der Startpunkt ist ein beliebiger Punkt im Sternbild Fische, der als 0 Stunden, 0 Minuten und 0 Sekunden bezeichnet wird. Alle anderen Punkte werden danach gekennzeichnet, wie weit (d.h. wie lange) sie hinter dieser Koordinate zurückliegen, nachdem sie darüber in westlicher Richtung verläuft.

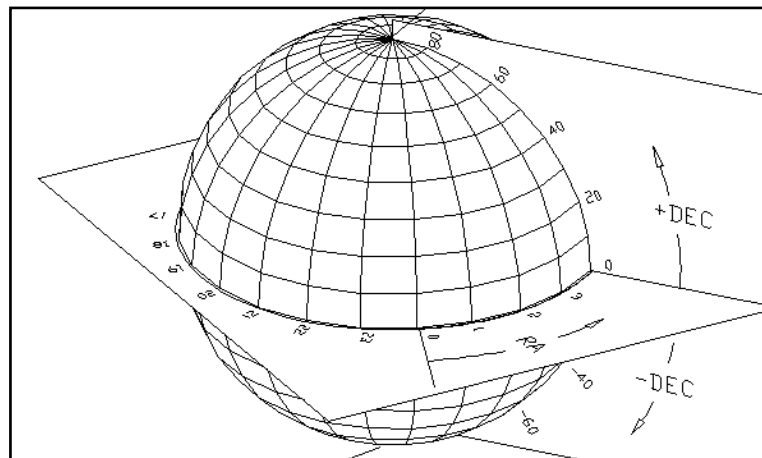
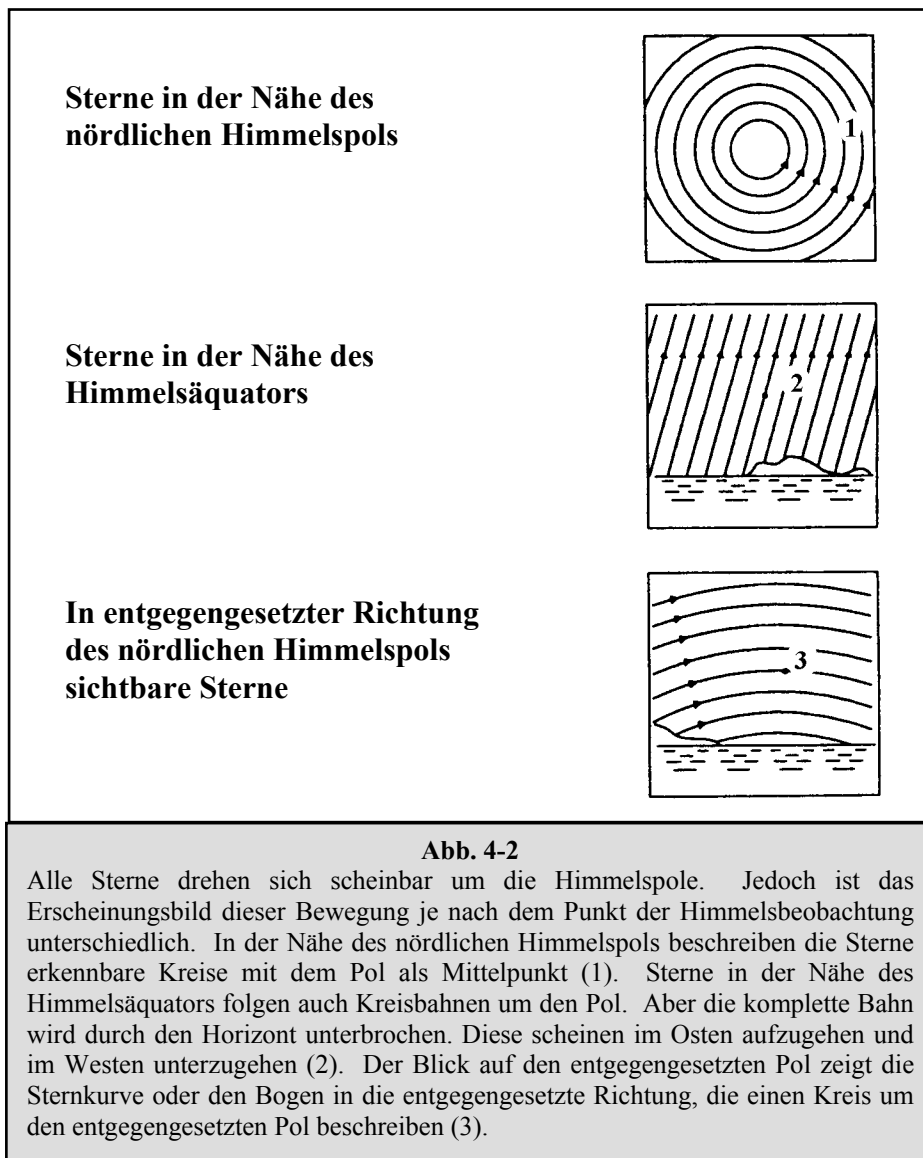


Abb. 4-1

Die Himmelskugel, von außen betrachtet, mit Angabe von RA und DEC.

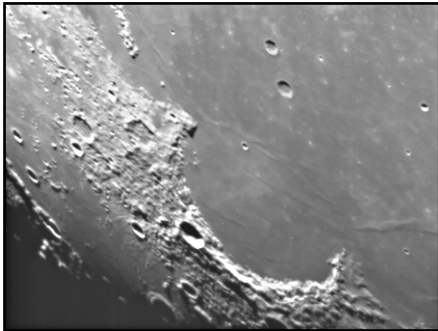
Bewegung der Sterne

Die tägliche Bewegung der Sonne über den Himmel hinweg ist selbst dem unbeteiligten Beobachter bekannt. Diese tägliche Zug ist aber keine Bewegung der Sonne, wie die ersten Astronomen dachten, sondern das Ergebnis der Drehung der Erde. Die Drehung der Erde hat den gleichen Effekt auf die Sterne, die einen großen Kreis beschreiben, während die Erde eine Drehung ausführt. Die Größe der Kreisbahn, die von einem Stern vollzogen wird, hängt von seiner Position im Himmel ab. Sterne in der Nähe des Himmelsäquators bilden die größten Kreise, die im Osten aufgehen und im Westen untergehen. Auf den Himmelsnordpol zu, den Punkt, um den die Sterne in der nördlichen Hemisphäre sich zu drehen scheinen, werden diese Kreise kleiner. Die Sterne in den mittleren Himmelsbreitengraden gehen im Nordosten auf und im Nordwesten unter. Die Sterne in hohen Himmelsbreitengraden befinden sich immer über dem Horizont. Man nennt sie zirkumpolare Sterne, weil sie nie aufgehen und nie untergehen. Man sieht nie, wie die Sterne einen Kreis abschließen, weil das Sonnenlicht am Tage das Sternenlicht auswäscht. Ein Teil dieser Kreisbewegung der Sterne in dieser Region des Himmels kann jedoch beobachtet werden, wenn man eine Kamera auf einem Stativ installiert und den Kameraverschluss ein paar Stunden öffnet. Die zeitgesteuerte Belichtung wird Halbkreise deutlich machen, die den Pol umlaufen. (Diese Beschreibung der stellaren Bewegungen trifft auch für die südliche Hemisphäre zu, mit dem Unterschied, dass alle Sterne südlich des Himmelsäquators um den Himmelsnordpol wandern).



Wenn Ihr Teleskop aufgebaut ist, ist es zur Beobachtung bereit. Dieser Abschnitt enthält Hinweise zur visuellen Beobachtung von Sonnensystem- und Deep-Sky-Objekten sowie Informationen zu allgemeinen Bedingungen, die einen Einfluss auf Ihre Beobachtungsfähigkeit haben.

Mondbeobachtung



Die Versuchung, den Mond zu beobachten, ist bei Vollmond am größten. Zu diesem Zeitpunkt ist das Mondgesicht voll beleuchtet und sein Licht kann übermächtig sein. Außerdem ist in dieser Phase wenig oder kein Kontrast sichtbar.

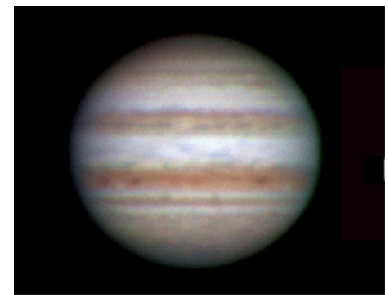
Die partiellen Phasen (ungefähr das erste oder dritte Viertel) gelten als optimale Zeiten der Mondbeobachtung. Die langen Schatten enthüllen dann viele Details auf der Mondoberfläche. Sie können mit geringer Vergrößerung den größten Teil der Mondscheibe auf einmal sehen. Wenn Sie einen kleineren Bereich schärfer einstellen wollen, wechseln Sie zu einem optionalen Okular mit höherer Vergrößerung.

Empfehlungen zur Mondbeobachtung

Optionale Filter können zur Steigerung des Kontrasts und zur besseren Sichtbarmachung von Details auf der Mondoberfläche verwendet werden. Ein Gelbfilter ist geeignet, um den Kontrast zu verbessern. Ein polarisierender Filter oder Filter mit neutraler Dichte reduziert die gesamte Oberflächenhelligkeit und Blendung.

Beobachtung der Planeten

Andere faszinierende Ziele sind u.a. die fünf Planeten, die mit bloßem Auge zu sehen sind. Man kann sehen, wie Venus ihre mondähnlichen Phasen durchläuft. Der Mars kann eine Menge Oberflächendetails sowie eine oder sogar beide Polarkappen erkennen lassen. Sie werden auch die Wolkengürtel von Jupiter und den großen roten Fleck gut erkennen können (wenn er zum Beobachtungszeitpunkt sichtbar ist). Außerdem können Sie die Jupitermonde auf ihrer Umlaufbahn um den Riesenplaneten erkennen. Die Ringe des Saturn sind leicht mit mäßiger Vergrößerung sichtbar.



Empfehlungen zur Planetenbeobachtung

- Die atmosphärischen Bedingungen sind in der Regel die Faktoren, die einschränken, wie viele feine Details der Planeten erkennbar sind. Man sollte daher die Planeten möglichst nicht dann beobachten, wenn sie sich tief am Horizont befinden oder wenn sie direkt über einer Wärmestrahlungsquelle, wie z.B. ein Dach oder Kamin, stehen. Nähere Informationen dazu finden Sie unter „Beobachtungsbedingungen“ weiter unten in diesem Abschnitt.
- Celestron-Okularfilter können zur Steigerung des Kontrasts und zur besseren Sichtbarmachung von Details auf der Planetenoberfläche verwendet werden.

Beobachtung der Sonne

Obwohl sie oftmals von Amateurastronomen übersehen wird, ist die Sonnenbeobachtung interessant und macht Spaß. Wegen der Helligkeit der Sonne müssen jedoch bei der Beobachtung dieses Sterns besondere Vorsichtsmaßnahmen ergriffen werden, um Schäden an Ihren Augen und am Teleskop zu verhindern.

Zur Sonnenbeobachtung muss ein angemessener Sonnenfilter verwendet werden, der die Intensität des Sonnenlichts verringert, damit man die Sonne sicher betrachten kann. Mit einem Filter können Sie Sonnenflecken erspähen, während diese über die Sonnenscheibe und Faculae, d.h. helle Flecken in der Nähe des Sonnenrandes, wandern.

- Die beste Zeit zur Sonnenbeobachtung ist am frühen Morgen oder Spätnachmittag, wenn die Luft kühler ist.
- Zur Zentrierung der Sonne, ohne durch das Okular zu schauen, beobachten Sie den Schatten des Teleskoptubus, bis er einen kreisförmigen Schatten bildet.

Beobachtung der Deep-Sky-Objekte

Deep-Sky-Objekte (extrasolare Objekte) sind einfach die Objekte außerhalb der Grenzen unseres Sonnensystems. Sie umfassen Sternhaufen, planetarische Nebel, diffuse Nebel, Doppelsterne (Double Stars) und andere Galaxien außerhalb unserer eigenen Milchstraße. Die meisten Deep-Sky-Objekte haben eine große Winkelgröße. Sie sind daher mit geringer bis mäßiger Vergrößerung gut zu erkennen. Sie sind visuell zu schwach, um die in Fotos mit langen Belichtungszeiten sichtbare Farbe erkennen zu lassen. Sie erscheinen stattdessen schwarz-weiß. Und wegen ihrer geringen Oberflächenhelligkeit sollten sie von einem Standort mit dunklem Himmel aus beobachtet werden. Durch die Lichtverschmutzung in großen Stadtgebieten werden die meisten Nebel ausgewaschen. Dadurch wird ihre Beobachtung schwierig, wenn nicht sogar unmöglich. Filter zur Reduktion der Lichtverschmutzung helfen, die Hintergrundhimmelselligkeit zu reduzieren und somit den Kontrast zu steigern.

Starhopping

Starhopping (Hüpfen von Stern zu Stern) ist eine leichte Methode, um Deep-Sky-Objekte zu finden. Beim Starhopping verwendet man helle Sterne, um sich zu einem Objekt „führen“ zu lassen. Für ein erfolgreiches Starhopping ist es nützlich, das Gesichtsfeld Ihres Teleskops zu kennen. Wenn Sie das 20-mm-Standardokular mit dem PowerSeeker-Teleskop verwenden, ist Ihr Gesichtsfeld ca. $1,4^\circ$. Wenn Sie wissen, dass ein Objekt 3° von Ihrem gegenwärtigen Standort entfernt ist, müssen Sie ca. 2 Gesichtsfelder wandern. Bei Verwendung eines anderen Okulars ziehen Sie den Abschnitt zur Bestimmung des Gesichtsfeldes zu Rate. Nachstehend finden Sie eine Anleitung zur Lokalisierung von zwei häufig gesuchten Objekten:

Die Andromeda-Galaxie (Abb. 5-1), auch als M31 bekannt, ist ein einfaches Ziel. So finden Sie M31 auf:

1. Lokalisieren Sie die Konstellation des Pegasus, ein großes Quadrat, das im Herbst (im östlichen Himmel, in Richtung auf den Punkt oben wandernd) und in den Wintermonaten (oben, in westlicher Richtung wandernd) sichtbar ist.
2. Nehmen Sie den Stern in der Nordostecke —Alpha (α) Andromedae — zum Ausgangspunkt.
3. Gehen Sie ca. 7° nach Nordosten. Dort finden Sie zwei Sterne mit gleicher Helligkeit —Delta (δ) und Pi (π) Andromeda—die ca. 3° voneinander entfernt sind.
4. Gehen Sie in die gleiche Richtung um weitere 8° weiter. Dort finden Sie zwei Sterne —Beta (β) und Mu (μ) Andromedae—ebenfalls 3° voneinander entfernt.
5. Gehen Sie 3° Nordwest—die gleiche Entfernung wie der Abstand zwischen den beiden Sternen—zur Andromeda-Galaxie.

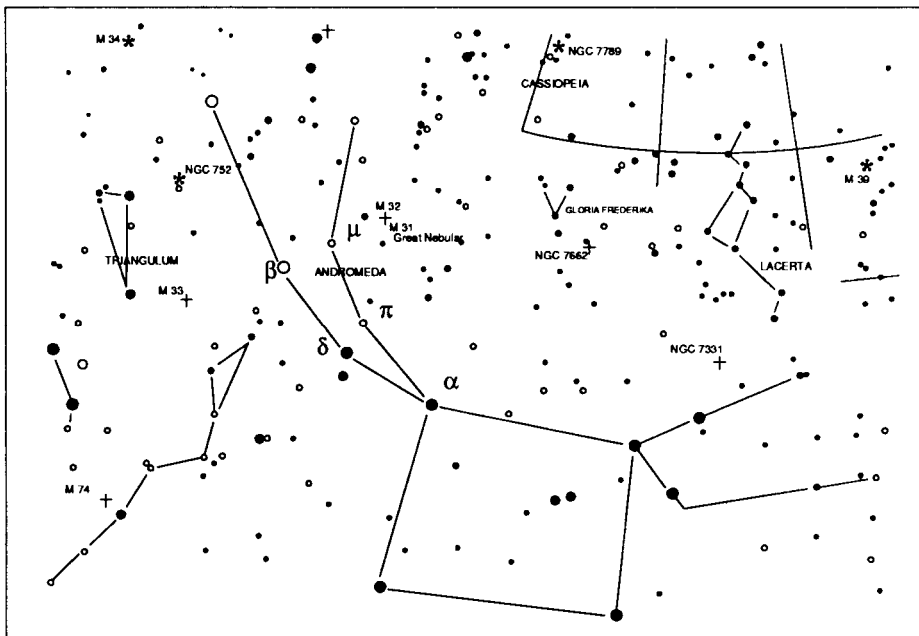


Abb. 5-1

Starhopping zur Andromeda-Galaxie (M31) ist ein Kinderspiel, da alle Sterne, die dazu notwendig sind, mit dem bloßen Auge sichtbar sind.

Es dauert eine Weile, bis man Starhopping beherrscht, und Objekte, die keine Sterne in ihrer Nähe haben, die mit bloßem Auge erkennbar sind, stellen eine Herausforderung dar. Ein solches Objekt ist M57 (Abb. 5-2), der berühmte Ringnebel. So finden Sie ihn:

1. Suchen Sie das Sternbild Lyra, ein kleines Parallelogramm, das in den Sommer- und Herbstmonaten sichtbar ist. Lyra ist einfach zu finden, weil es den hellen Stern Vega enthält.
2. Nehmen Sie den Stern Vega—Alpha (α) Lyrae—zum Ausgangspunkt und gehen Sie ein paar Grade Südost, um das Parallelogramm zu finden. Die vier Sterne, die diese geometrische Form bilden, weisen eine ähnliche Helligkeit auf, was sie leicht sichtbar macht.
3. Lokalisieren Sie die beiden südlichsten Sterne, die das Parallelogramm bilden—Beta (β) und Gamma (γ) Lyra.
4. Zeigen Sie auf den Punkt ungefähr in der Mitte dieser beiden Sterne.
5. Gehen Sie ca. $\frac{1}{2}^\circ$ in Richtung Beta (β) Lyra auf der Verbindungslinie dieser beiden Sterne.
6. Wenn Sie durch das Teleskop schauen, müsste jetzt der Ringnebel in Ihrem Gesichtsfeld sein. Die Winkelgröße des Ringnebels ist recht klein und schwer erkennbar.
7. Da der Ringnebel ziemlich schwach ist, müssen Sie u.U. „Averted Vision“ anwenden. „Averted Vision“, das gezielte Danebenschaun, ist eine Beobachtungstechnik, wo man etwas neben das beobachtete Objekt schaut. Wenn Sie den Ringnebel beobachten, zentrieren Sie ihn in Ihrem Gesichtsfeld und schauen Sie dann zur Seite. Dadurch fällt Licht vom betrachteten Objekt auf die schwarz-weiß-empfindlichen Stäbchenzellen des Auges anstatt die farbempfindlichen Zapfenzellen des Auges. (Denken Sie, wie bereits erwähnt, auch daran, dass es bei schwachen Objekten wichtig ist, diese von einem dunklen Standort, nicht in der Nähe von Straßenbeleuchtungen und Stadtlichtern, aus zu beobachten. Das Auge braucht im Durchschnitt ca. 20 Minuten, um sich vollständig an die Dunkelheit zu gewöhnen. Verwenden Sie daher immer eine Taschenlampe mit Rotfilter, um Ihre an die Dunkelheit angepasste Nachtsicht zu behalten).

Diese beiden Beispiele sollten Ihnen eine gute Vorstellung vom Starhopping zu Deep-Sky-Objekten geben. Wenn Sie diese Technik für andere Objekte anwenden wollen, referenzieren Sie einen Sternatlas und hüpfen Sie dann zum gewünschten Objekt mit Hilfe der Sterne, die mit bloßem Auge erkennbar sind.

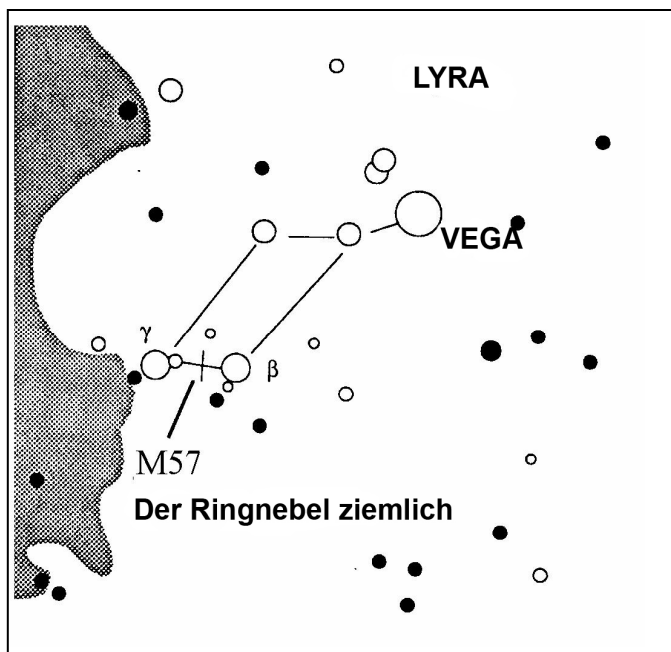


Abb. 5-2

Beobachtungsbedingungen

Die Beobachtungsbedingungen beeinflussen, was Sie in einer Beobachtungssession durch Ihr Teleskop erspähen können. Diese Bedingungen sind u.a. Transparenz, Himmelsbeleuchtung und Sicht. Ein Verständnis der Beobachtungsbedingungen und ihre Wirkung auf die Beobachtung hilft Ihnen, einen optimalen Nutzen aus Ihrem Teleskop zu ziehen.

Transparenz

Transparenz ist die Klarheit der Atmosphäre, die durch Wolken, Feuchtigkeit und andere Schwebeteilchen beeinträchtigt wird. Dicke Cumuluswolken sind völlig undurchsichtig, während Zirkuswolken dünn sein und das Licht von den hellsten Sternen durchlassen können. Ein trüber Himmel absorbiert mehr Licht als ein klarer Himmel. Dadurch sind schwächere Objekte schwerer erkennbar und der Kontrast von helleren Objekten wird verringert. Aerosole, die aus Vulkanausbrüchen in die obere Atmosphäre geschleudert werden, können sich ebenfalls auf die Transparenz auswirken. Ideale Bedingungen liegen vor, wenn der Nachthimmel pechschwarz ist.

Himmelsbeleuchtung

Die allgemeine Erhellung des Himmels durch den Mond, Polarlicht, das natürliche Luftleuchten und Lichtverschmutzung haben eine große Auswirkung auf die Transparenz. Obwohl dies kein Problem bei helleren Sternen und Planeten ist, reduziert ein heller Himmel den Kontrast von längeren Nebeln, wodurch sie nur schwer oder gar nicht zu sehen sind. Beschränken Sie Ihre Deep-Sky-Beobachtungen auf mondlose Nächte in weiter Entfernung des lichtverschmutzten Himmels im Umfeld von großen Städten, um optimale Beobachtungsbedingungen zu schaffen. LPR-Filter verbessern die Deep-Sky-Beobachtung aus Bereichen mit Lichtverschmutzung, weil sie unerwünschtes Licht abblocken und nur Licht von bestimmten Deep-Sky-Objekten durchlassen. Planeten und Sterne können jedoch von lichtverschmutzten Regionen aus oder wenn der Mond scheint beobachtet werden.

Sicht

Die Sichtbedingungen beziehen sich auf die Stabilität der Atmosphäre. Sie haben eine direkte Auswirkung auf die feinen Details, die man in entfernteren Objekten sehen kann. Die Luft in unserer Atmosphäre wirkt wie eine Linse, die hereinkommende Lichtstrahlen beugt und verzerrt. Der Umfang der Beugung hängt von der Luftdichte ab. Verschiedene Temperaturschichten haben verschiedene Dichten und beugen daher das Licht anders. Die Lichtstrahlen vom gleichen Objekt kommen leicht verlagert an und führen so zu einem unvollkommenen oder verschmierten Bild. Diese atmosphärischen Störungen sind von Zeit zu Zeit und Ort zu Ort verschieden. Die Größe der Luftpakete im Vergleich zu Ihrer Blendenöffnung bestimmt die Qualität der „Sicht“. Unter guten Sichtbedingungen sind feine Details auf den helleren Planeten, wie z.B. Jupiter und Mars, sichtbar und die Sterne sind als haargenaue Bilder zu sehen. Unter schlechten Sichtbedingungen sind die Bilder unscharf und die Sterne erscheinen als Klumpen.

Die hier beschriebenen Bedingungen gelten für visuelle und fotografische Beobachtungen.



Abb. 5-3

Die Sichtbedingungen wirken sich direkt auf die Bildqualität aus. Diese Abbildungen stellen eine Punktquelle (d.h. Stern) unter schlechten Sichtbedingungen (links) bis ausgezeichneten Sichtbedingungen (rechts) dar. Meistens produzieren Sichtbedingungen Bilder, die irgendwo zwischen diesen Extremen liegen.

The logo for Celestron Astrofotografie features the word "CELESTRON" in a bold, black, sans-serif font with a registered trademark symbol. To its left is a stylized orange and yellow crescent moon icon. Below "CELESTRON", the word "Astrofotografie" is written in a larger, bold, black, sans-serif font with a slight shadow effect. The entire logo is enclosed in a thin black rectangular border.

CELESTRON[®] **Astrofotografie**

Die Teleskope der PowerSeeker-Serie wurden für visuelle Beobachtung entwickelt. Nachdem Sie den nächtlichen Himmel durch Ihre Beobachtungen besser kennen gelernt haben, haben Sie vielleicht den Wunsch, Fotos davon zu machen. Mit dem 60AZ, 70AZ und 76AZ Teleskop sind einige einfache Arten von Fotoaufnahmen möglich für Himmels- und terrestrische Beobachtungen. Die Himmelsfotografie erfolgt am besten mit einer äquatorialen Montierung oder computerisierten Altazimutmontierung. Eine Auswahl der möglichen fotografischen Verfahren wird nachstehend beschrieben. Wir empfehlen Ihnen auch, verschiedene Bücher mit detaillierten Informationen zu diesem Thema zu Rate zu ziehen.

Als Mindestanforderung brauchen Sie eine Digitalkamera oder eine 35 mm SLR-Kamera. Aufsetzen der Kamera auf das Teleskop:

- Digitalkamera – Sie benötigen einen Universal-Digitalkamera-Adapter (Best.-Nr. 93626). Mit dem Adapter kann die Kamera für terrestrische Fotografie und Primärfokus-Astrofotografie fest installiert werden.
- 35 mm SLR-Kamera – Sie müssen Ihr Objektiv von der Kamera abnehmen und einen T-Ring für Ihr jeweiliges Kameramodell aufsetzen. Dann brauchen Sie noch einen T-Adapter (Best.-Nr. 93625) zum Aufsatz am T-Ring an einem Ende und am anderen Ende am Teleskop-Fokustubus. Jetzt ist das Kameraobjektiv Ihr Teleskop.

Primärfokus-Fotografie mit kurzen Belichtungszeiten

Die Primärfokus-Fotografie mit kurzen Belichtungszeiten ist das für Anfänger am besten geeignete Verfahren zur Aufnahme von Himmelsobjekten. Hierzu setzen Sie Ihre Kamera auf das Teleskop auf, wie es im Abschnitt oben beschrieben wurde. Ein paar Punkte sind zu beachten:

- Sie können den Mond und die helleren Planeten mit sehr kurzen Belichtungen aufnehmen. Sie werden mit verschiedenen Einstellungen und Belichtungszeiten experimentieren müssen. Viele der notwendigen Informationen sind in der Bedienungsanleitung Ihrer Kamera enthalten. Außerdem finden Sie detaillierte Informationen in Büchern zu diesem Thema.
- Wählen Sie für Ihre Fotoaufnahmen möglichst einen Beobachtungsstandort mit dunklem Himmel.
- Vergessen Sie nicht, dies sind nur ganz einfache Fotos. Für detailliertere und ernsthafte Astrofotografie benötigen Sie eine äquatoriale Montierung oder computerisierte Altazimutmontierung.

Planeten- und Mondfotografie mit Spezial-Imager

In den letzten Jahren ist eine neue Technologie entwickelt worden, mit der hervorragende Planeten- und Mondaufnahmen relativ einfach geworden sind. Die Ergebnisse sind einfach erstaunlich! Celestron bietet NexImage (Best.-Nr. 93712), eine Spezialekamera mit Software zur Bildbearbeitung, an. Damit können Sie Planetaufnahmen in Ihrer ersten Beobachtungsnacht machen, die es mit professionellen Fotos aufnehmen können, die vor nur ein paar Jahren mit großen Teleskopen gemacht wurden.

CCD-Aufnahmen von Deep-Sky-Objekten

Spezialekameras wurden zur Aufnahme von Deep-Sky-Bildern entwickelt. Diese sind in den letzten Jahren weiterentwickelt worden und sind jetzt preiswerter geworden, so dass Amateure fantastische Fotos damit machen können. Auf dem Markt sind Bücher erhältlich, die Ihnen vermitteln, wie Sie optimale Bilder erzielen. Die Technologie wird immer weiter verfeinert, so dass die auf dem Markt erhältlichen Produkte besser und benutzerfreundlicher werden.

Terrestrische Fotografie

Ihr Teleskop kann als hervorragendes Teleobjektiv für terrestrische (Land-) Fotografie verwendet werden. Landschaftsaufnahmen, Fotos von Wildtieren, Naturaufnahmen – alles ist möglich. Um optimale Bilder zu erzielen, müssen Sie mit der Scharfstellung, Geschwindigkeiten etc. experimentieren. Sie können Ihre Kamera mit einem Adapter, wie oben auf dieser Seite beschrieben, anschließen.

CELESTRON **Pflege des Teleskops**

Ihr Teleskop erfordert wenig Pflege, aber einige Punkte sollten Sie doch beachten, um sicherzustellen, dass Sie eine optimale Leistung von Ihrem Teleskop erhalten.

Pflege und Reinigung der Optik

Gelegentlich sammelt sich Staub und/oder Feuchtigkeit auf der Objektivlinse oder dem Hauptspiegel an, je nachdem welche Art von Teleskop Sie haben. Wie bei jedem anderen Instrument ist die Reinigung mit besonderer Vorsicht durchzuführen, damit die Optik nicht beschädigt wird.

Wenn sich auf der Optik Staub angesammelt hat, entfernen Sie ihn mit einem Pinsel (Kamelhaar) oder einer Druckluftdose. Sprühen Sie ca. 2 bis 4 Sekunden im Winkel auf die Glasoberfläche. Entfernen Sie dann alle Reste mit einer Reinigungslösung für optische Produkte und einem weißen Papiertuch. Geben Sie die Lösung auf das Tuch und reinigen Sie dann die Optik mit dem Papiertuch. Reinigen Sie die Linse (oder den Spiegel) mit geringer Druckanwendung von der Mitte nach außen. **NICHT mit einer Kreisbewegung reiben!**

Die Reinigung kann mit einem im Handel erhältlichen Linsenreiniger oder einer selbst hergestellten Mischung vorgenommen werden. Eine geeignete Reinigungslösung ist mit destilliertem Wasser vermischter Isopropylalkohol. Zur Herstellung der Lösung nehmen Sie 60 % Isopropylalkohol und 40 % destilliertes Wasser. Auch ein mit Wasser verdünntes Flüssiggeschirrspülmittel (ein paar Tropfen pro ca. 1 Liter) kann verwendet werden.

Gelegentlich kann sich in einer Beobachtungssession Tau auf der Optik des Teleskops ansammeln. Wenn Sie weiter beobachten wollen, muss der Tau entfernt werden, und zwar mit einem Fön (niedrige Einstellung) oder indem das Teleskop auf den Boden gerichtet wird, bis der Tau verdampft ist.

Wenn im Innern der Optik Feuchtigkeit kondensiert, nehmen Sie die Zubehörteile vom Teleskop ab. Bringen Sie das Teleskop in eine staubfreie Umgebung und richten Sie es auf den Boden. Auf diese Weise wird die Feuchtigkeit aus dem Teleskoptubus entfernt.

Setzen Sie nach dem Gebrauch alle Objektivabdeckungen wieder auf, um den Reinigungsbedarf Ihres Teleskops möglichst gering zu halten. Da die Zellen NICHT verschlossen sind, müssen die Öffnungen bei Nichtgebrauch mit den Abdeckungen geschützt werden. Auf diese Weise wird verhindert, dass verschmutzende Substanzen in den optischen Tubus eindringen.

Interne Einstellungen und Reinigungen dürfen nur durch die Reparaturabteilung von Celestron ausgeführt werden. Wenn Ihr Teleskop eine interne Reinigung erfordert, rufen Sie das Werk an, um sich eine Rücksende-Genehmigungsnummer geben zu lassen und den Preis zu erfragen.

Kollimation eines Newton-Teleskops

Die optische Leistung der meisten Newton-Reflektorteleskope kann bei Bedarf durch Neukollimation (Ausrichtung) der Teleskopoptik optimiert werden. Kollimation eines Teleskops bedeutet ganz einfach, dass die optischen Elemente ausgeglichen werden. Eine unzureichende Kollimation hat optische Unregelmäßigkeiten und Verzerrungen zur Folge.

Vor Ausführung der Kollimation Ihres Teleskops müssen Sie sich mit allen seinen Komponenten vertraut machen. Der Hauptspiegel ist der große Spiegel am hinteren Ende des Teleskoptubus. Dieser Spiegel wird durch Lösen und Festziehen der drei Schrauben (im Abstand von 120 Grad voneinander) am Ende des Teleskoptubus eingestellt. Der Zweitspiegel (der kleine elliptische Spiegel unter dem Fokussierer, vorne im Tubus) weist ebenfalls drei Einstellungsschrauben zur Durchführung der Kollimation auf (dazu brauchen Sie optionale Werkzeuge, die nachstehend beschrieben werden). Um festzustellen, ob Ihr Teleskop kollimiert werden muss, richten Sie zunächst das Teleskop auf eine helle Wand oder den blauen Himmel draußen.

Ausrichtung des Zweitspiegels

Das im Folgenden beschriebene Verfahren gilt für die Kollimation Ihres Teleskops am Tage und setzt die Verwendung des optionalen Newton-Kollimationsinstruments (Best.-Nr. 94183), das bei Celestron erhältlich ist, voraus. Zur Kollimation des Teleskops ohne das Kollimationsinstrument lesen Sie bitte den Abschnitt über Sternkollimation bei Nacht unten. Für eine hochpräzise Kollimation ist das optionale Kollimationsokular 1 ¼ Zoll (Best.-Nr. 94182) erhältlich.

Wenn sich im Fokussierer ein Okular befindet, entfernen Sie es. Schieben Sie den Fokussiertubus unter Einsatz der Fokussierknöpfe vollständig ein, bis der Silbertubus nicht mehr sichtbar ist. Sie werden durch den Fokussierer auf eine Reflexion des Zweitspiegels schauen, die vom Hauptspiegel projiziert wird. Während dieses Schritts ignorieren Sie die silhouettenhafte Reflexion des Hauptspiegels. Stecken Sie den Kollimationsdeckel in den Fokussierer und schauen Sie hindurch. Wenn der Fokus ganz eingezogen ist, sollte der gesamte Hauptspiegel als Reflexion im Zweitspiegel sichtbar sein. Wenn der Hauptspiegel nicht im Zweitspiegel zentriert ist, stellen Sie die Schrauben des Zweitspiegels ein, indem Sie sie abwechselnd festziehen und lösen, bis die Peripherie des Hauptspiegels in Ihrem Sichtfeld zentriert ist. Die mittlere Schraube in der Halterung des Zweitspiegels NICHT lösen oder festziehen, da sie den Spiegel in der richtigen Position hält.

Ausrichtung des Hauptspiegels

Stellen Sie jetzt die Schrauben des Hauptspiegels ein, um die Reflexion des kleinen Zweitspiegels so neu zu zentrieren, dass sie silhouettenhaft gegen die Ansicht des Hauptspiegels erscheint. Wenn Sie in den Fokussierer schauen, sollten die Silhouetten des Spiegels konzentrisch erscheinen. Wiederholen Sie Schritt 1 und 2, bis das der Fall ist.

Entfernen Sie den Kollimatordeckel und blicken Sie in den Fokussierer, wo Sie jetzt die Reflexion Ihres Auges im Zweitspiegel sehen sollen.

Kollimationsansichten mit Newton, durch den Fokussierer mit der Kollimationskappe gesehen

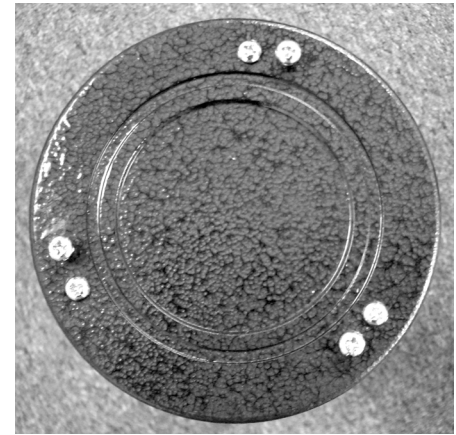
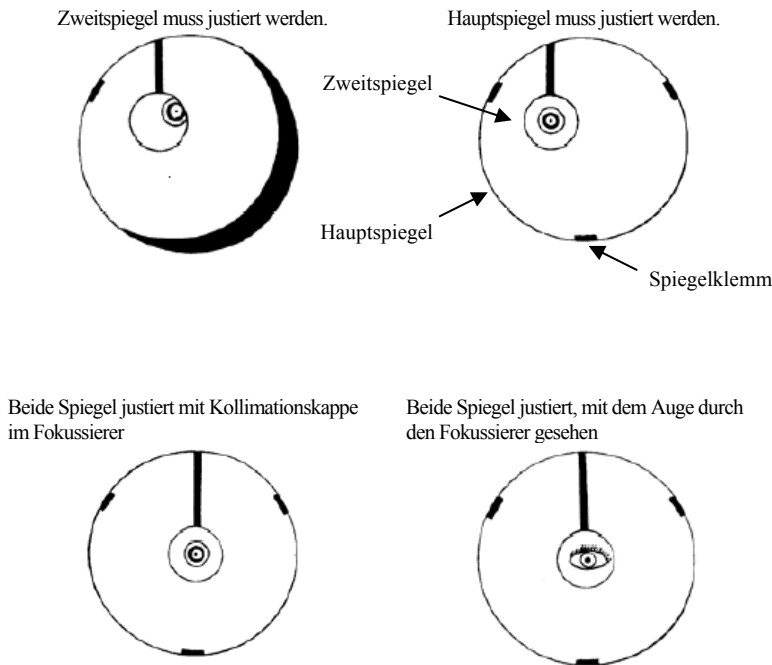


Abb. 7-1 PowerSeeker 76AZ

Sternkollimation bei Nacht

Nach erfolgreichem Abschluss der Kollimation bei Tage kann die Sternkollimation bei Nacht erfolgen. Hierzu wird der Hauptspiegel sorgfältig eingestellt, während sich der Teleskoptubus auf seiner Montierung befindet und auf einen hellen Stern gerichtet ist. Das Teleskop sollte bei Nacht aufgebaut werden und das Bild eines Sterns sollte bei mittlerer bis hoher Vergrößerung (30-60-fache Vergrößerung pro Zoll Blendenöffnung) betrachtet werden. Wenn ein nicht symmetrisches Fokusbild vorliegt, kann es möglich sein, das zu korrigieren, indem nur der Hauptspiegel neu kollimiert wird.

Verfahren (lesen Sie vor Beginn diesen Abschnitt ganz durch):

Zur Durchführung einer Sternkollimation in der nördlichen Hemisphäre richten Sie das Teleskop auf einen feststehenden Stern, wie z.B. den Nordstern (Polarstern). Sie finden ihn im Nordhimmel in einer Entfernung über dem Horizont, die Ihrem Breitengrad entspricht. Es ist auch der Endstern der Deichsel im Kleinen Wagen. Der Polarstern ist nicht der hellste Stern im Himmel und kann sogar schwach erscheinen, je nach Ihren Himmelsbedingungen. Für die südliche Hemisphäre zeigen Sie auf Sigma Octantis.

Machen Sie vor der Neukollimation des Hauptspiegels die Kollimationsschrauben hinten am Teleskoptubus ausfindig. Die hintere Zelle (in Abb. 7-1 gezeigt) weist drei große Schrauben auf, die zur Kollimation verwendet werden. Die drei kleinen Schrauben dienen zur Feststellung des Spiegels. Die Kollimationsschrauben neigen den Hauptspiegel. Sie drehen zunächst die kleinen Feststellschrauben jeweils um ein paar Drehungen los. Normalerweise machen Bewegungen in der Größenordnung von $\frac{1}{8}$ -Drehung einen Unterschied; eine ca. $\frac{1}{2}$ bis $\frac{3}{4}$ -Drehung ist maximal für die großen Kollimationsschrauben erforderlich. Drehen Sie jeweils nur eine Kollimationsschraube und prüfen Sie mit einem Kollimationsinstrument oder -okular, wie sich die Drehung auf die Kollimation auswirkt (siehe den nachstehenden Abschnitt). Nach ein bisschen Experimentieren erzielen Sie schließlich die gewünschte Zentrierung.

Es ist empfehlenswert, das optionale Kollimationsinstrument oder Kollimationsokular zu verwenden. Schauen Sie in den Fokussierer und stellen Sie fest, ob die Reflexion des Zweispiegels dichter an die Mitte des Hauptspiegels gewandert ist.

Fokussieren Sie – bei Zentrierung des Polarsterns oder eines hellen Sterns im Gesichtsfeld – entweder mit dem Standardokular oder Ihrem Okular mit der größten Vergrößerungsleistung, d.h. mit der kleinsten Brennweite in mm (z.B. 6 mm oder 4 mm). Eine andere Option ist, ein Okular mit längerer Brennweite mit Barlow-Linse zu verwenden. Wenn ein Stern scharf eingestellt ist, sollte er wie ein scharfer Lichtpunkt aussehen. Wenn er bei scharfer Einstellung eine unregelmäßige Form hat oder am Rande ein flackernder Lichtschein erscheint, bedeutet das, dass Ihre Spiegel nicht richtig ausgerichtet sind. Wenn Sie also das Erscheinen eines flackernden Lichtscheins von dem Stern mit einem festen Standort bemerken, wenn Sie dicht an der präzisen Scharfeinstellung sind, erhalten Sie durch Rekollimation ein schärferes Bild.

Wenn Sie mit der Kollimation zufrieden sind, ziehen Sie die kleinen Feststellschrauben fest an.

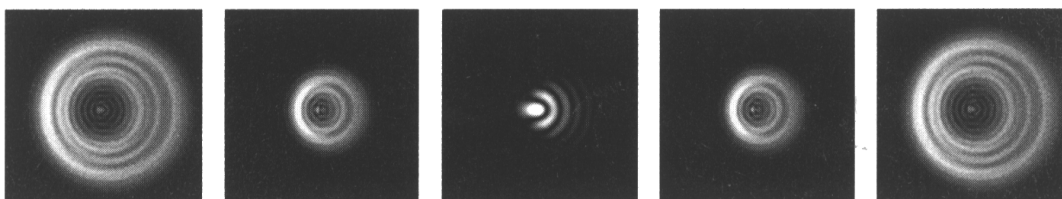


Abb. 7-2

Obwohl das Sternmuster auf beiden Fokusseiten gleich erscheint, sind sie asymmetrisch. Die dunkle Blockierung ist nach links vom Diffraktionsmuster verzogen, was auf eine schlechte Kollimation hinweist.

Beachten Sie die Richtung, in der das Licht aufzuflackern scheint. Wenn es zum Beispiel in Richtung auf die 3-Uhr-Position im Gesichtsfeld zu flackern scheint, dann müssen Sie die Schraube oder Kombination von Kollimationsschrauben bewegen, die zur Bewegung des Bild des Sterns in die Richtung des Aufblackerns notwendig ist. In diesem Beispiel würden Sie das Bild des Sterns in Ihrem Okular durch Einstellung der Kollimationsschrauben in Richtung auf die 3-Uhr-Position im Gesichtsfeld verschieben. Es ist manchmal lediglich erforderlich, eine Schraube ausreichend zu justieren, um das Bild des Sterns vom Mittelpunkt des Gesichtsfeldes auf ungefähr die Hälfte oder weniger in Richtung auf den Rand des Gesichtsfeldes zu verschieben (bei Verwendung eines Okulars mit hoher Vergrößerungsleistung).

Die Kollimationseinstellungen werden am besten vorgenommen, während die Position des Sterns im Gesichtsfeld betrachtet wird und gleichzeitig die Einstellungsschrauben dabei gedreht werden. Auf diese Weise sehen Sie genau, in welche Richtung die Bewegung erfolgt. Es kann hilfreich sein, wenn zwei Personen dieses Verfahren zusammen ausführen: Einer beobachtet das Objekt und gibt Anweisungen, welche Schrauben gedreht werden sollen und um wie viel; der andere nimmt die Einstellungen vor.

WICHTIG: Nach Vornahme der ersten bzw. jeden Einstellung ist es erforderlich, den Teleskoptubus wieder auf das Objekt auszurichten, um den Stern wieder in der Mitte des Gesichtsfeldes zu zentrieren. Das Bild des Sterns kann dann in Bezug auf Symmetrie beurteilt werden, indem man mehrmals die präzise Scharfeinstellung nur ganz leicht verändert und dabei das Muster des Sterns beobachtet. Wenn die richtigen Einstellungen vorgenommen werden, sollte sich eine Verbesserung zeigen. Da drei Schrauben vorhanden sind, ist es u.U. erforderlich, mindestens zwei zu bewegen, um die erforderliche Spiegelbewegung zu erreichen.

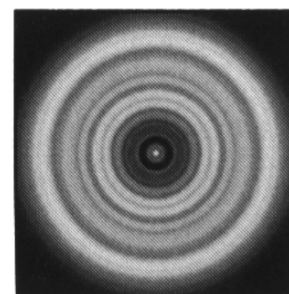


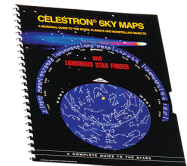
Abb. 7-3

Ein kollimiertes Teleskop sollte als symmetrisches Ringmuster ähnlich wie der hier gezeigte Diffraktionsring erscheinen.

CELESTRON® Optionales Zubehör

Die zusätzlichen Zubehörteile für Ihr PowerSeeker-Teleskop werden Ihr Beobachtungserlebnis noch beeindruckender machen und eröffnen Ihnen noch mehr Möglichkeiten zur Verwendung des Teleskops. In der folgenden Liste ist nur eine Auswahl von verschiedenen Zubehörteilen mit einer kurzen Beschreibung zusammen gestellt. Besuchen Sie die Celestron-Website oder den Zubehörcatalog von Celestron, um alle lieferbaren Zubehörartikel mit einer Beschreibung zu sehen.

Himmelskarten (Best.-Nr. 93722) – Celestron-Himmelskarten (Sky Maps) sind ein ideales Leitfadensystem, um mehr über den Nachthimmel zu lernen. Selbst wenn Sie die wichtigsten Konstellationen bereits navigieren können, können Ihnen diese Karten helfen, alle möglichen faszinierenden Objekte aufzufinden.



Omni Plössl-Okulare – Nur für 60AZ, 70AZ und 76AZ. Diese Okulare sind preiswert und bieten messerscharfe Ansichten im gesamten Feld. Sie haben ein 4-Element-Linsen-Design und sind in den folgenden Brennweiten erhältlich: 4 mm, 6 mm, 9 mm, 12,5 mm, 15 mm, 20 mm, 25 mm, 32 mm und 40 mm – alle mit 1,25 Zoll Steckhülsen.

Omni Barlow-Linse (Best.-Nr. 93326) – Verwendbar mit allen Okularen. Sie verdoppelt die Vergrößerung des jeweiligen Okulars. Eine Barlow-Linse ist eine negative Linse, die die Brennweite eines Teleskops erhöht. Die 2x Omni hat eine 1,25 Zoll Steckhülse, eine Länge von unter 76 mm (3 Zoll) und ein Gewicht von nur 113 g (4 oz.).

Mondfilter (Best.-Nr. 94119-A) – Dieser preiswerte 1,25“-Okularfilter (für 60AZ, 70AZ und 76AZ) reduziert die Helligkeit des Mondes und verbessert den Kontrast, so dass auf der Mondoberfläche mehr Detail beobachtet werden kann.



UHC/LPR-Filter 1,25 Zoll (Best.-Nr. 94123) – Dieser Filter dient zur Verbesserung Ihrer Ansicht von astronomischen extrasolaren (Deep-Sky) Objekten bei Beobachtung in Stadtregionen. Er reduziert selektiv die Übertragung von bestimmten Lichtwellenlängen, besonders solchen, die von künstlichen Lichtern erzeugt werden. Nur für 60AZ, 70AZ und 76AZ.

Taschenlampe, Nachtsicht (Best.-Nr. 93588) – Die Celestron-Taschenlampe verwendet zwei rote LEDs, um die Nachtsicht besser als rote Filter oder andere Geräte zu erhalten. Die Helligkeit ist einstellbar. Zu ihrem Betrieb ist eine 9-Volt-Batterie (mitgeliefert) enthalten.

Kollimationsinstrument (Best.-Nr. 94183) – Dieses praktische Zubehörteil erleichtert die Kollimation Ihres Newton-Teleskops. Eine detaillierte Beschreibung ist enthalten.

Kollimationsokular – 1,25 Zoll (Best.-Nr. 94182) – Das Kollimationsokular ist ideal für die präzise Kollimation von Newton-Teleskopen geeignet.

Digitalkamera-Adapter – Universal (Best.-Nr. 93626) – Eine Universal-Montierungsplattform, die die afokale Fotografie (Fotografie durch das Okular eines Teleskops) mit einer Digitalkamera ermöglicht.



T-Adapter – Universal 1,25 Zoll (Best.-Nr. 93625) – Dieser Adapter ist mit dem 1,25 Zoll Fokussierer Ihres 60AZ, 70AZ und 76AZ Teleskops kompatibel. Er ermöglicht den Anbau einer 35 mm SLR-Kamera für terrestrische sowie Mond- und Planetenfotografie.

| Technische daten für PowerSeeker | 21039 | 21041 | 21036 | 21044 |
|--|---------------------------------|---------------------------|----------------------------|---|
| | PS 50AZ | PS 60AZ | PS 70AZ | PS 76AZ |
| Optisches Design | Refraktor | Refraktor | Refraktor | Newton |
| Blendenöffnung | 50 mm (2,0 Zoll) | 60 mm (2,4 Zoll) | 70 mm (2,8 Zoll) | 76 mm (3,0 Zoll) |
| Brennweite | 600 mm | 700 mm | 700 mm | 700 mm |
| Öffnungsverhältnis | f/12 | f/12 | f/10 | f/9 |
| Optische Vergütung | Voll vergütet | Voll vergütet | Voll vergütet | Voll vergütet |
| Sucherfernrohr | 5x24 | 5x24 | 5x24 | 5x24 |
| Zenit Spiegel | Star-Zenit Spiegel 0,96 Zoll | Aufrechtbild 1,25 Zoll | Aufrechtbild 1,25 Zoll | n.z. |
| Okulare | 20 mm 0,96 Zoll (30x) | 20 mm 1,25 Zoll (35x) | 20 mm – 1,25 Zoll (35x) | 20 mm – 1,25 Zoll Aufrechtbild (35x) |
| | 12 mm - 0,96 Zoll (50x) | n.z. | n.z. | n.z. |
| | 4 mm 0,96 Zoll (150x) | 4 mm 1,25 Zoll (175x) | 4 mm – 1,25 Zoll (175x) | 4 mm 1,25 Zoll (175x) |
| Scheinbares Gesichtsfeld -- 20 mm bei 50° | | | | |
| -- 10 mm bei 40° | | | | |
| Barlow-Linse – 3x | 0,96 Zoll | 1,25 Zoll | 1,25 Zoll | 1,25 Zoll |
| | mit 20 mm (90x) | mit 20 mm (105x) | mit 20 mm (105x) | mit 20 mm (105x) |
| | mit 12 mm (150x) | n.z. | n.z. | n.z. |
| | mit 4 mm (450x) | mit 4 mm (525x) | mit 4 mm (525x) | mit 4 mm (525x) |
| Gesichtsfeldwinkel mit 20 mm Standardokular | 1,7° | 1,4° | 1,4° | 1,4° |
| Lineares Gesichtsfeld mit 20 mm Standardokular – Fuß/1000 Yard | 89 | 74 | 74 | 74 |
| Montierung | Altazimut | Altazimut | Altazimut | Altazimut |
| Höhenfeststellknopf | ja | ja | Ja | ja |
| Azimut-Sperre | nein | ja | Ja | ja |
| CD-ROM „The SkyX“ | ja | ja | Ja | ja |
| Maximale nützliche Vergrößerung | 120x | 142x | 165x | 180x |
| Maximale Sterngröße | 11,1 | 11,4 | 11,7 | 11,9 |
| Auflösung – Raleigh (Bogensekunden) | 2,66 | 2,31 | 1,98 | 1,82 |
| Auflösung – Dawes-Grenze „ “ | 2,28 | 1,93 | 1,66 | 1,53 |
| Lichtsammelleistung | 51x | 73x | 100x | 118x |
| Länge des optischen Tubus | 56 cm (22 Zoll) | 71 cm (28 Zoll) | 76 cm (30 Zoll) | 66 cm (26 Zoll) |
| Gewicht des Teleskops | 1,5 lbs. (0,7 kg) | 2,0 lbs. (0,9 kg) | 6 lbs (2,7 kg) | 8,5 lbs. (3,9 kg) |
| Hinweis: Die technischen Daten können ohne Mitteilung oder Verpflichtung geändert werden. | | | | |



Telescopios de la serie PowerSeeker®

MANUAL DE INSTRUCCIONES

- **PowerSeeker 50AZ N° 21039**
- **PowerSeeker 60AZ N° 21041**
- **PowerSeeker 70AZ N° 21036**
- **PowerSeeker 76AZ N° 21044**

Índice

| | |
|---|----|
| INTRODUCCIÓN..... | 3 |
| ENSAMBLAJE..... | 6 |
| Cómo ensamblar el trípode..... | 6 |
| Cómo colocar el tubo del telescopio en el montaje..... | 7 |
| Cómo mover el telescopio manualmente..... | 8 |
| Instalación de la lente a 90° y el ocular (refractor) – 60AZ..... | 8 |
| Instalación de la lente a 90° y el ocular (refractor) – 50AZ..... | 8 |
| Instalación del ocular en el telescopio newtoniano..... | 9 |
| Instalación y uso de la lente Barlow..... | 9 |
| Instalación y uso del ocular inversor de imagen 1,5x – 50AZ..... | 9 |
| Instalación del telescopio buscador..... | 10 |
| Alineación del telescopio buscador..... | 10 |
| INFORMACIÓN BÁSICA SOBRE EL TELESCOPIO..... | 11 |
| Orientación de imágenes..... | 12 |
| Enfoque..... | 12 |
| Cálculo del aumento..... | 12 |
| Cómo se determina el campo visual..... | 13 |
| Consejos generales para las observaciones..... | 13 |
| INFORMACIÓN BÁSICA SOBRE ASTRONOMÍA..... | 14 |
| El sistema de coordenadas de los cuerpos celestes..... | 14 |
| Movimiento de las estrellas..... | 15 |
| OBSERVACIÓN DE CUERPOS CELESTES..... | 16 |
| Observación de la luna..... | 16 |
| Observación de los planetas..... | 16 |
| Observación del sol..... | 16 |
| Observación de cuerpos celestes en el cielo profundo..... | 17 |
| Condiciones para la observación..... | 19 |
| ASTROFOTOGRAFÍA..... | 20 |
| Fotografía de corta exposición con resultados de primera calidad..... | 20 |
| Fotografía de la luna y de los planetas con imágenes especiales..... | 20 |
| Imágenes CCD de objetos en el firmamento profundo..... | 20 |
| Fotografía terrestre..... | 20 |
| MANTENIMIENTO DEL TELESCOPIO..... | 21 |
| Cuidado y limpieza de las lentes ópticas..... | 21 |
| Colimación de un telescopio newtoniano..... | 21 |
| ACCESORIOS OPCIONALES..... | 24 |
| ESPECIFICACIONES DEL POWERSEEKER..... | 25 |



Le felicitamos por la compra de su microscopio PowerSeeker. La serie de telescopios PowerSeeker comprende diferentes modelos y este manual cubre cuatro de ellos con soporte Alt-AZ (el altacimutal es el modelo más simple de montaje con dos movimientos, uno de altitud de arriba y abajo y otro acimutal de lado a lado), refractor de 50 mm, 60 mm y de 70 mm, y newtoniano de 76 mm. En la serie PowerSeeker se utiliza la mejor calidad de materiales para asegurar estabilidad y durabilidad. Todo esto contribuye a que su telescopio le ofrezca toda una vida de satisfacción con un mínimo de mantenimiento.

Estos telescopios han sido diseñados para ofrecer a los usuarios principiantes un valor excepcional. Los telescopios de la serie PowerSeeker tienen las características de ser compactos y portátiles con amplia capacidad óptica para atraer a cualquiera al mundo de la “astronomía para aficionados”. Además, su telescopio PowerSeeker es ideal para hacer observaciones terrestres, ya que le ofrece una extraordinaria visibilidad de gran potencia.

Los telescopios PowerSeeker tienen una **garantía limitada de dos años**. Para obtener más detalles al respecto, visite nuestro sitio Web www.celestron.com

Algunas de las características estándar de los PowerSeeker son:

- Elementos ópticos de vidrio recubierto para obtener imágenes claras y nítidas.
- Fácil funcionamiento, soporte rígido altacimutal con indicador simple para objetos localizados.
- El trípode de aluminio pre-ensamblado ofrece una plataforma estable.
- Ensamblaje fácil y rápido sin herramientas.
- CD-ROM “The SkyX”: software de astronomía que proporciona información sobre el firmamento y mapas del mismo que se pueden imprimir.
- Todos los modelos se pueden utilizar para hacer observaciones terrestres y astronómicas con los accesorios estándar incluidos.

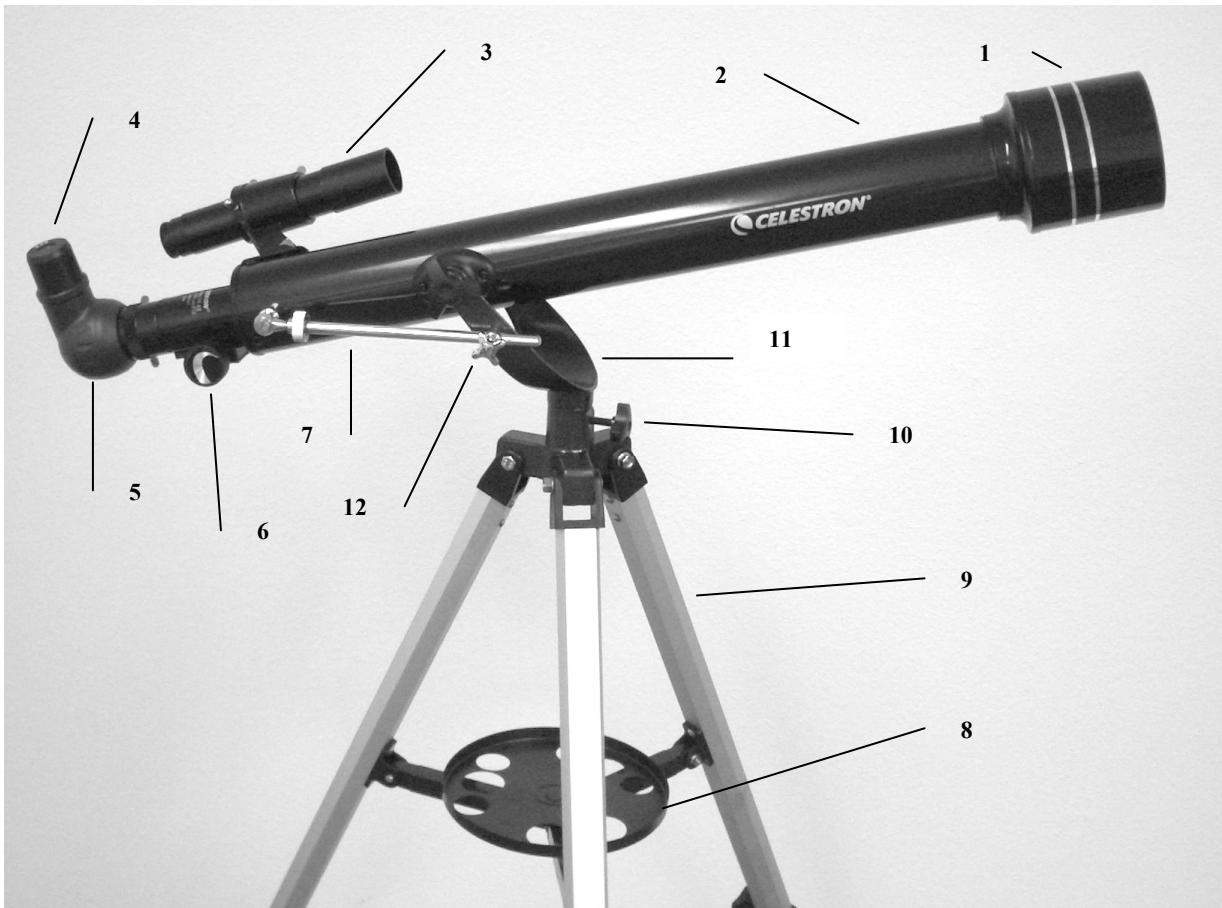
Tómese su tiempo y lea este manual antes de embarcarse en un viaje por el universo. Es posible que le tome algunas sesiones de observación antes de familiarizarse con su telescopio, por lo que le aconsejamos utilizar este manual hasta que haya aprendido bien el funcionamiento del mismo. El manual le ofrece información detallada respecto a cada paso que debe tomar y sobre el material necesario de referencia; también le ofrece consejos que le pueden ayudar a tener una experiencia mejor y más agradable en sus observaciones.

Su telescopio está diseñado para brindarle años de entretenimiento y observaciones gratificantes. Sin embargo, sería conveniente informarse primero sobre el uso del mismo para proteger su equipo y a sí mismo.

Advertencia



- **Nunca mire directamente al sol sin protegerse sus ojos o con un telescopio (a no ser que tenga un filtro solar apropiado). Los ojos pueden sufrir daños permanentes e irreversibles.**
- **Nunca utilice su telescopio para proyectar una imagen del sol en una superficie. La acumulación interna de calor puede dañar el telescopio y los accesorios incorporados.**
- **Nunca utilice un filtro solar ocular o un prisma Herschel. La acumulación interna de calor dentro del telescopio puede producir que estos dispositivos se agrieten o rompan, dejando pasar la luz solar sin filtrar directamente al ojo.**
- **No deje el telescopio sin supervisar donde haya niños o adultos presentes que no tengan experiencia con los procedimientos adecuados de funcionamiento de su telescopio.**



**Figura 1-1 Refractor PowerSeeker 60AZ
(PowerSeeker 50AZ y PowerSeeker 70AZ Similar)**

| | | | |
|----|----------------------------|-----|---|
| 1. | Objetivo | 7. | Ensamblaje de la barra de movimiento lento de la altura (no incluido en 50AZ) |
| 2. | Tubo óptico del telescopio | 8. | Bandeja de accesorios |
| 3. | Telescopio buscador | 9. | Trípode |
| 4. | Ocular | 10. | Bloqueador acimutal (no incluido en 50AZ) |
| 5. | Lente a 90° | 11. | Montaje Alt-Az |
| 6. | Botón de enfoque | 12. | Botón de bloqueo de la altura |

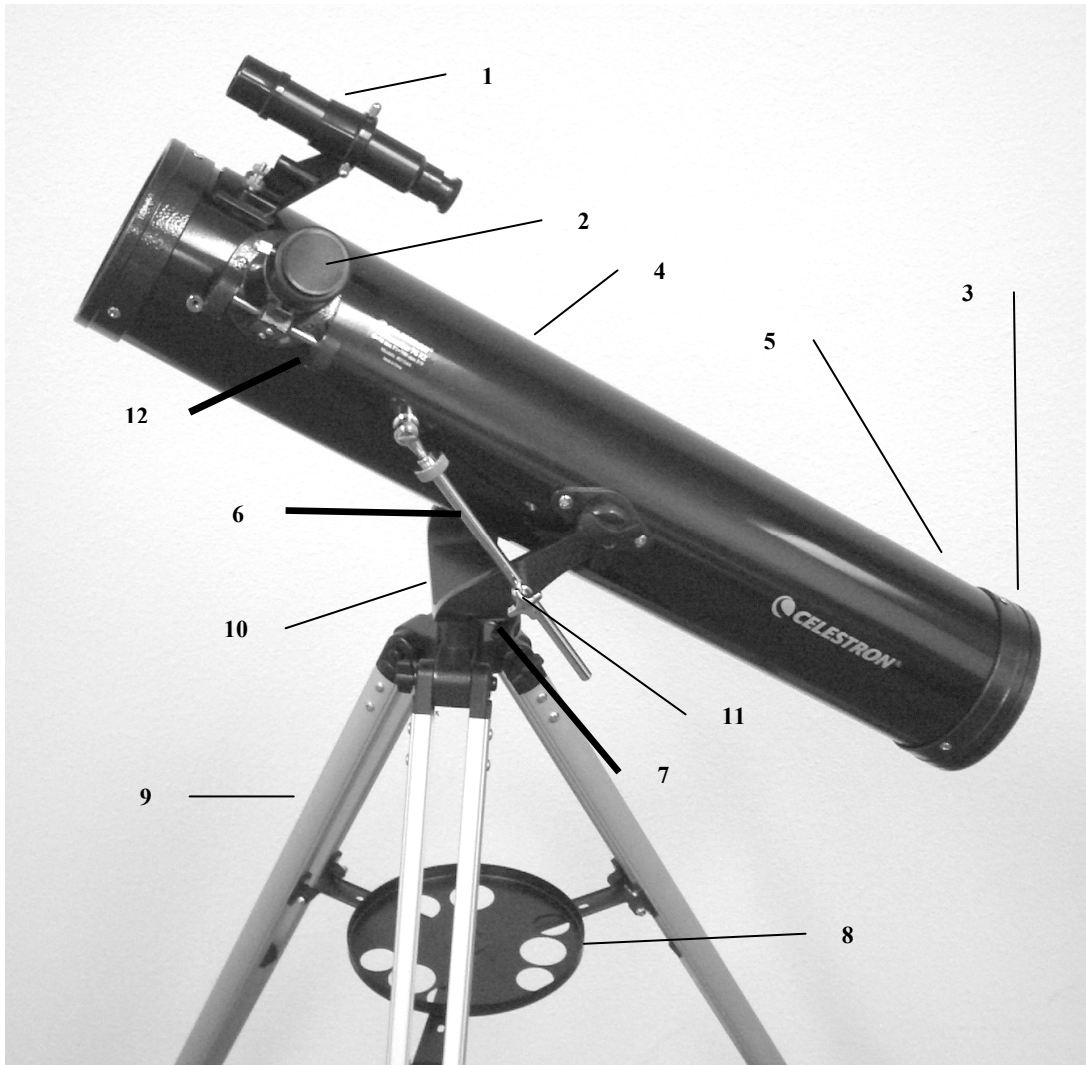


Figura 1-2 PowerSeeker 76AZ Newtoniano

| | | | |
|----|--|-----|-----------------------|
| 1. | Telescopio buscador | 7. | Bloqueador acimutal |
| 2. | Ocular | 8. | Bandeja de accesorios |
| 3. | Tornillos de ajuste de la colimación (en la parte posterior) | 9. | Trípode |
| 4. | Tubo óptico del telescopio | 10. | Montaje Alt-Az |
| 5. | Espejo principal | 11. | Bloqueador de altura |
| 6. | Ensamblaje de la barra de movimiento lento de la altura | 12. | Botón de enfoque |

Esta sección presenta las instrucciones para ensamblar su telescopio PowerSeeker. Cuando ensamble su telescopio por primera vez deberá hacerlo en un lugar donde sea fácil identificar las diferentes partes que contiene el mismo y donde pueda familiarizarse con el procedimiento adecuado de ensambladura antes de salir al aire libre.

Cada telescopio PowerSeeker viene en una caja. Las piezas en la caja de todos los modelos son: tubo óptico, soporte altacimutal y CD-ROM "The SkyX". El 50AZ incluye accesorios de 0,96 pulgadas: oculares de 20 mm, 12 mm y 4 mm; lentes Barlow 3x y ocular inversor de imagen 1,5x.

El 60AZ, 70AZ y 76AZ incluyen accesorios de 1,25 pulgadas: oculares de 20 mm (imagen directa en el 76AZ) y 4 mm, lente Barlow 3x, lente a 90° de imagen directa en el 60AZ.

Cómo ensamblar el trípode

1. Saque el trípode de la caja (Figura 2-1). El trípode viene ya ensamblado para que su montaje sea más fácil. Cada trípode es diferente según el modelo de telescopio, aunque tienen una apariencia similar en las fotos que se muestran a continuación.
2. Ponga el trípode hacia arriba y tire de las patas hasta que estén totalmente extendidas; a continuación presione un poco hacia abajo en el refuerzo de las mismas (Figura 2-2). La parte superior del trípode se llama cabezal (montaje de AZ).
3. A continuación instale la bandeja de accesorios de trípode (Figura 2-3) en el refuerzo de las patas del mismo (centro de la Figura 2-2).
4. En la parte inferior de la bandeja del trípode podrá encontrar un tornillo sujeto al centro (excepto en el 50AZ). Gire hacia la derecha el tornillo que se coloca en un orificio roscado del centro del refuerzo de las patas del trípode. Nota: para hacerlo con mayor facilidad, eleve ligeramente el refuerzo de las patas del trípode. Continúe girando la bandeja con las manos hasta que esté bien apretada; no la apriete demasiado. El 50AZ es ligeramente diferente ya que tiene que desenroscar un pequeño botón que se encuentra en el centro de la bandeja (vea la Figura 2-3a); a continuación, coloque la bandeja sobre el orificio roscado y apriete el botón para fijarla.

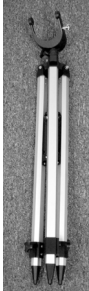


Figura 2-1



Figura 2-2



Figura 2-3



Figura 2-3a

5. A este punto el trípode está completamente ensamblado (Figura 2-4).
6. Ya puede extender las patas del trípode hasta la altura deseada. En el nivel más bajo, la altura es de 69 cm (27 pulg.) y se extiende 119 cm (47 pulg.). Los botones de la altura en la parte inferior de cada pata (Figura 2-5) se desbloquean al girarlos hacia la izquierda y tirando de las patas hacia afuera hasta conseguir la altura deseada; a continuación bloquee el botón de nuevo. Cuando el trípode esté totalmente extendido se mirará como el que se muestra en la Figura 2-6.
7. El trípode tendrá la estabilidad máxima a la menor altura permitida del mismo.



Figura 2-4

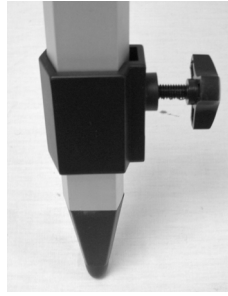


Figura 2-5



Figura 2-6

Cómo colocar el tubo del telescopio en el montaje

El tubo óptico del telescopio se conecta al soporte altacimutal con el ensamblaje de la barra de movimiento lento de la altura y los botones respectivos del 60AZ, 70AZ y 76AZ. El 50AZ se coloca directamente en el cabezal del soporte altacimutal. Antes de comenzar, retire la tapa del objetivo (refractor) o la tapa de la abertura en la parte anterior (newtoniano). Para colocar el tubo del telescopio en el soporte del 60AZ, 70AZ y 76AZ:

- 1 Retire el papel de protección que cubre el tubo óptico.
- 2 Coloque el tubo del telescopio dentro del soporte altacimutal de manera que la barra de movimiento lento de la altura esté al mismo lado que el tornillo de bloqueo (vea la Figura 1-1). **Tenga en cuenta que en algunos telescopios la barra puede estar conectada al tubo óptico del telescopio. Si la barra no está conectada al tubo óptico, quite el tornillo del mecanismo (con la herramienta proporcionada) que se muestra en el extremo izquierdo de la Figura 2-7 y coloque la barra en su lugar como se muestra en dicha Figura 2-7. A continuación, coloque el tornillo en el orificio de la barra y dentro del mecanismo y apriételo.**
- 3 Retire el botón de bloqueo de la altura de forma que quede el orificio sin obstrucción alguna en el cáncamo (vea la Figura 2-8).
- 4 Coloque la barra del ensamblaje a través del cáncamo y a continuación apriete el botón de bloqueo de la altura (Figura 2-9).
- 5 Apriete los dos botones (a ambos lados del soporte) por la parte superior del soporte en los orificios roscados del tubo óptico (Figura 2-7).



Figura 2-7



Figura 2-8



Figura 2-9

En el 50AZ, siga las siguientes instrucciones:

1. Retire el papel de protección que cubre el tubo óptico.
2. Coloque el tubo óptico del telescopio en el soporte altacimutal, de forma que el orificio en la parte superior de la plataforma del tubo óptico esté alineado con los orificios de la cabeza del soporte (vea la Figura 2-11).
3. Introduzca el botón de bloqueo de la altura (vea el centro de la Figura 2-10) por el cabezal del soporte y la plataforma del tubo óptico (asegúrese de que el orificio no esté obstruido antes de apretar el botón).



Figura 2-10



Figura 2-11

Cómo mover el telescopio manualmente

El montaje Alt-Az del PowerSeeker es fácil de mover hacia donde desee apuntarlo. El movimiento hacia arriba y hacia abajo (altura) del 60AZ, 70AZ y 76AZ está controlado por el botón de bloqueo de la altura (Figura 2-12). El movimiento de lado a lado (acimutal) está controlado por el bloqueador azimutal (Figura 2-12). Cuando ambos botones estén flojos, podrá encontrar más fácilmente los objetos (con el telescopio buscador) y después bloquear los controles.

Para ajustar mejor la altura, gire el aro estriado de la barra de movimiento lento de la altura (cuando el bloqueador de la altura está apretado) en cualquier dirección (vea la Figura 2-9).



Figura 2-12

Con el modelo 50AZ, puede aflojar el botón de bloqueo de la altura (vea la Figura 2-9) y a continuación mover el telescopio hacia la dirección deseada; cuando haya encontrado lo que buscaba, apriete entonces el botón de bloqueo de la altura.

Nota: Antes de apretar el botón de bloqueo de la altura, la ubicación que busca deberá encontrarse en el telescopio buscador.

Instalación de la lente a 90° y el ocular (refractor) – 60AZ y 70AZ

La lente a 90° es un prisma que desvía la luz en ángulo recto hacia la trayectoria de la luz del refractor. Esto le permite observar en una posición que es más cómoda que si mira directamente. Esta lente a 90° es un modelo de imagen directa que corrige la imagen a su posición adecuada y la orienta correctamente de izquierda a derecha, lo cual permite que su uso sea más fácil para las observaciones terrestres. También, la lente a 90° puede rotarse a una posición más favorable para usted. Para instalar la lente a 90° y el ocular:

1. Introduzca el pequeño tambor de la lente a 90° en el adaptador ocular de 3,18 cm (1,25 pulg.) del tubo de enfoque del refractor (Figura 2-13). Asegúrese de que los dos tornillos del adaptador ocular no sobresalgan y adentren en el tubo de enfoque antes de la instalación y que la tapa se retira de dicho adaptador.
2. Ponga el extremo del tambor cromado de uno de los oculares dentro de la lente a 90° y apriete el tornillo. Cuando haga esto, asegúrese de que el tornillo no sobresale dentro de la lente a 90° antes de introducir el ocular.
3. Los oculares pueden cambiarse a otras distancias focales al invertirse el procedimiento que se describe en el párrafo 2 anterior.



Figura 2-13

Instalación de la lente a 90° y el ocular (refractor) – 50AZ



Figura 2-14

La lente del 50AZ se le llama lente estrella a 90°, el lente del prisma corrige la imagen de forma que el lado derecho está hacia arriba (imagen directa) pero la imagen está invertida de izquierda a derecha. La lente a 90° y los oculares son de 0,96 pulgadas de diámetro. Todas las instrucciones anteriores se aplican del mismo modo en el 50AZ.

Instalación del ocular en el telescopio newtoniano

El ocular es un elemento óptico que aumenta la imagen que se enfoca con el telescopio. Sin el ocular sería imposible utilizar el telescopio visualmente. A los oculares se les conoce comúnmente como distancia focal y diámetro del tambor. Cuanto mayor sea la distancia focal (por ej: cuanto mayor sea el número) menor será el aumento del ocular (por ej.: potencia). En general, se utilizará una potencia de baja o moderada al visualizar objetos. Para obtener más información sobre cómo determinar la potencia, vea la sección “Cálculo del aumento”. El ocular encaja directamente en el tubo de enfoque del telescopio newtoniano. Para colocar los oculares:

1. Asegúrese de que los tornillos no sobresalen introduciéndose en el tubo de enfoque. A continuación, inserte el tambor cromado del ocular en el tubo de enfoque (retire primero la tapa del mecanismo de enfoque) y apriete los tornillos; vea la Figura 2-15.
2. El ocular de 20 mm es un ocular inversor de imagen, ya que corrige la imagen vertical y horizontalmente. Esto hace que se pueda utilizar el telescopio para visualizar objetos terrestres.
3. Los oculares pueden cambiarse invirtiendo el procedimiento que se describe anteriormente.



Figura 2-15

Instalación y uso de la lente Barlow

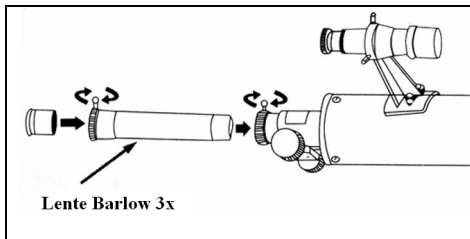


Figura 2-16

Su telescopio también viene con una lente Barlow 3x que triplica la potencia de aumento de cada ocular. No obstante, las imágenes de mayor aumento deberán utilizarse sólo bajo las condiciones ideales (vea la sección “Cálculo del aumento” en este manual).

Para utilizar la lente Barlow con refractores, saque la lente a 90° e inserte la Barlow directamente dentro del tubo de enfoque. A continuación, introduzca un ocular en la lente Barlow para realizar la visualización. También puede introducir la lente a 90° en la Barlow y después utilizar un ocular en la lente a 90° pero quizás no pueda entonces enfocar con todos los oculares.

En los telescopios newtonianos, introduzca la lente Barlow directamente en el mecanismo de enfoque. A continuación, inserte un ocular en la lente Barlow.

Nota: Comience utilizando un ocular de baja potencia, ya que será más fácil enfocar de este modo.

Instalación y uso del ocular inversor de imagen 1,5x – 50AZ

El PowerSeeker 50AZ viene con un ocular inversor de imagen 1,5x, principalmente para observaciones terrestres diurnas. Este ocular corrige la imagen que usted observa en su telescopio, de manera que está invertida vertical y horizontalmente. Instale y utilice este ocular de la misma forma que la lente Barlow en la sección anterior. No puede utilizar la lente Barlow cuando use este ocular.

Al utilizar el ocular inversor de imagen, la potencia con varios oculares es:

- con 20 mm = 45x
- con 12 mm = 75x
- con 4 mm = 225x

Instalación del telescopio buscador

Para instalar el telescopio buscador:

1. Localizar el telescopio buscador (estará dentro del soporte del telescopio buscador); vea las Figuras 1-1 y 1-2.
2. Quite las tuercas estriadas de los pilares roscados en el tubo óptico; vea la Figura 2-17.
3. Monte el soporte del telescopio buscador colocándolo encima de los pilares que sobresalen del tubo óptico y a continuación, enrosque y apriete las tuercas mientras lo sujeta.
4. Fíjese que el telescopio buscador debe orientarse de forma que la lente de mayor diámetro se encuentre de cara hacia el frente del tubo óptico.
5. Saque la tapa de la lente de ambos extremos del telescopio.



Figura 2-17

Alineación del telescopio buscador

Siga las siguientes instrucciones para alinear el telescopio buscador:

1. Ubique un objeto distante durante el día y céntrelo en un ocular de baja potencia (20 mm) en el telescopio principal.
2. Mire por el telescopio buscador (el extremo del ocular del buscador) y fíjese en la posición del mismo objeto.
3. Sin mover el telescopio principal, gire los tornillos de mariposa de ajuste que se encuentran alrededor del soporte del telescopio buscador hasta que el buscador quede centrado en el objeto elegido con el telescopio principal.

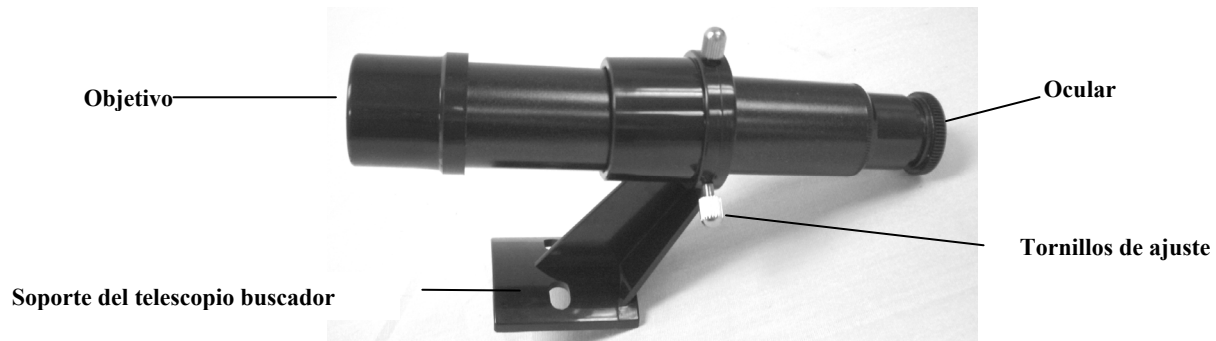


Figura 2-18 Telescopio buscador con soporte

Información básica sobre el telescopio

Un telescopio es un instrumento que recoge y enfoca la luz. La naturaleza del diseño óptico determina cómo se enfoca la luz. Algunos telescopios, conocidos como refractores, utilizan lentes y otros, conocidos como reflectores (newtonianos), utilizan espejos.

El telescopio **refractor** fue diseñado a principios del siglo XVII y es el telescopio más antiguo. Su nombre viene del método que utiliza para enfocar los rayos entrantes de la luz. El refractor utiliza una lente para refractar los rayos entrantes de los rayos de luz y de ahí toma su nombre (vea la Figura 3-1). Los primeros que se diseñaron utilizaban lentes de un único elemento. Sin embargo, la lente única actúa como un prisma que convierte la luz en los colores del arco iris, un fenómeno conocido como aberración cromática. Para solucionar este problema, se ha introducido la lente de dos elementos, conocida como lente acromática. Cada elemento tiene un índice diferente de refracción que permite un enfoque en el mismo punto de dos longitudes diferentes de onda de la luz. La mayoría de las lentes de dos elementos, por lo general hechas de vidrio con y sin plomo, se corrigen para la luz roja y verde. Es posible que la luz azul se enfoque en un punto ligeramente diferente.

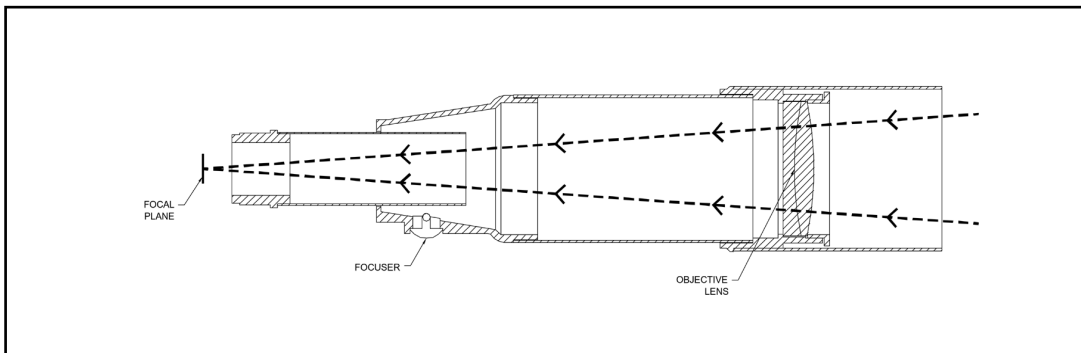


Figura 3-1
Ilustración de la trayectoria de la luz del diseño óptico del refractor

El telescopio **Newtoniano** refractor utiliza un solo espejo cóncavo como el principal. La luz entra en el tubo dirigiéndose hacia el espejo en el extremo posterior. Ahí se difracta la luz hacia delante en el tubo a un único punto, su punto focal. Como al poner la cabeza en la parte anterior del telescopio para mirar a la imagen con un ocular impedirá que funcione el reflector, un espejo plano llamado diagonal intercepta la luz y la dirige hacia el lateral del tubo en ángulo recto al mismo. El ocular se coloca ahí para obtener una visualización fácilmente.

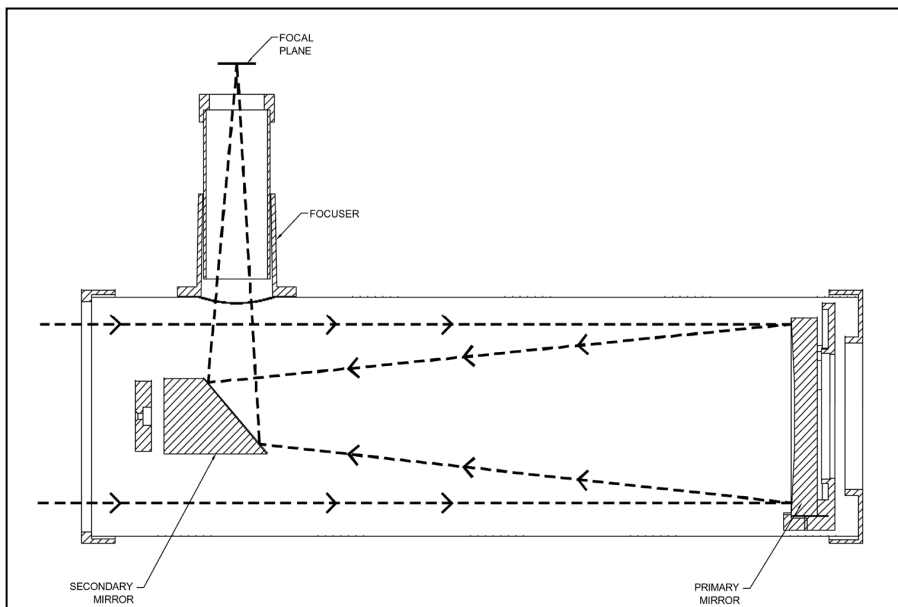


Figura 3-2
Ilustración de la trayectoria de la luz del diseño óptico del newtoniano

Los telescopios reflectores newtonianos reemplazan las lentes pesadas con los espejos para recoger y enfocar la luz, proporcionando mucha más potencia en la absorción de luz. Debido a la intercepción y al reflejo de la trayectoria de la luz hacia el lateral, puede tener distancias focales de hasta 1000 mm y todavía disfrutar de un telescopio portátil y relativamente compacto. El telescopio reflector newtoniano ofrece características tan impresionantes como la recogida de luz, por lo que uno puede interesarse seriamente por la astronomía del espacio profundo, incluso teniendo un presupuesto modesto. Los telescopios reflectores newtonianos requieren más atención y mantenimiento debido a que el espejo principal está expuesto al aire y al polvo. No obstante, este pequeño inconveniente no impide la popularidad de este tipo de telescopio para aquellos que desean tener un telescopio económico para encontrar cuerpos celestes distantes y apenas perceptibles.

Orientación de imágenes

La orientación de imágenes cambia de acuerdo a la forma en que el ocular se inserte dentro del telescopio. Cuando se utiliza una lente a 90° con refractores, la imagen no estará invertida de arriba abajo pero estará invertida de izquierda a derecha (por ej.: imagen de espejo). Al insertar el ocular directamente en el mecanismo de enfoque de un refractor (por ej.: sin la lente a 90°), la imagen estará invertida de arriba abajo y de izquierda a derecha. No obstante, cuando se utiliza un refractor PowerSeeker y la lente a 90° estándar de imagen directa, la imagen está orientada de forma correcta en todos sus aspectos.

Los telescopios reflectores newtonianos producen una imagen correcta de arriba abajo, pero la imagen aparece rotada en función de la ubicación del componente ocular en relación con el suelo. Sin embargo, al utilizar el ocular de imagen directa que viene con los newtonianos PowerSeeker, la imagen está correctamente orientada.

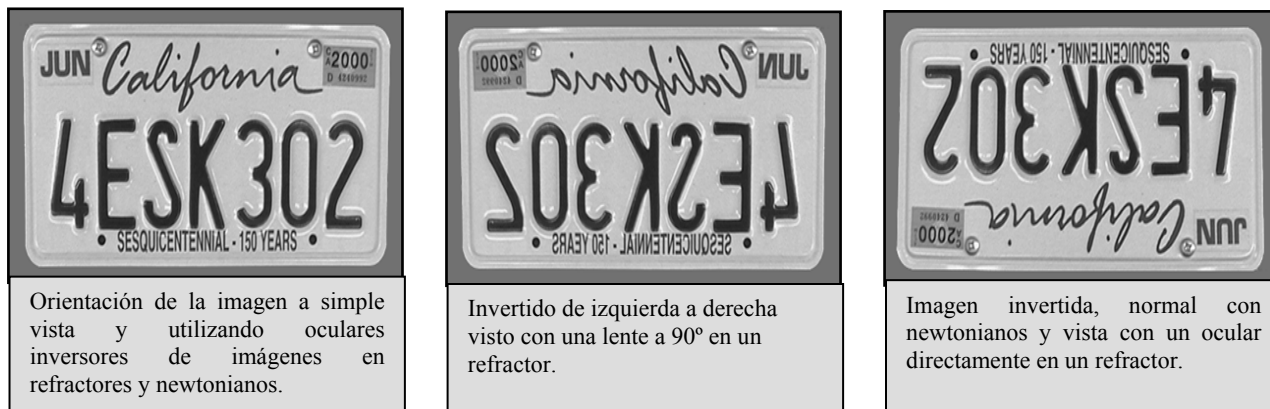


Figura 3-3

Enfoque

Para enfocar el telescopio refractor o newtoniano, gire simplemente el botón de enfoque situado directamente debajo del componente ocular (vea las figuras 2-13, 2-14 y 2-15). Cuando se gira el botón hacia la derecha, se puede enfocar un objeto que está más lejos que el que está observando actualmente. Cuando se gira el botón hacia la izquierda, se puede enfocar un objeto que está más cerca que el que está observando actualmente.

Nota: Si usted usa lentes con corrección (específicamente gafas), le recomendamos quitárselas cuando utilice el ocular acoplado al telescopio. Sin embargo, le recomendamos que use siempre sus lentes de corrección cuando utilice una cámara para poder conseguir el enfoque más perfecto que sea posible. Si tiene astigmatismo, le recomendamos que use sus lentes graduadas en todo momento.

Cálculo del aumento

Puede cambiar la potencia de su telescopio simplemente cambiando el ocular. Para determinar el aumento de su telescopio, divida la distancia focal del telescopio por la del ocular utilizado. La fórmula de esta ecuación es:

$$\text{Aumento} = \frac{\text{Distancia focal del telescopio (mm)}}{\text{Distancia focal del ocular (mm)}}$$

Por ejemplo, digamos que está utilizando el ocular de 20 mm que se incluye con su telescopio. Si desea calcular el aumento, simplemente divida la distancia focal de su telescopio (el PowerSeeker 60AZ de este ejemplo tiene una distancia focal de 700 mm) por la del ocular de 20 mm. El resultado de dividir 700 entre 20 es un aumento de 35 en potencia.

Aunque la potencia es variable, cada instrumento en un firmamento de visibilidad normal tiene un límite del máximo aumento útil. La regla general es que una potencia de 60 se puede utilizar por cada pulgada de apertura. Por ejemplo, el PowerSeeker 60AZ es de 7,11 cm (2,4 pulg.) de diámetro. Multiplicando 7,11 por 60 le da un máximo aumento útil de 426,60 en potencia. Aunque esto es el máximo aumento útil, la mayoría de las observaciones se realizan con una potencia entre 20 y 35 por cada pulgada de apertura, lo cual es de 48 a 84 veces en el telescopio PowerSeeker 60AZ. Puede determinar el aumento de su telescopio de la misma manera.

Nota sobre el uso de potencias mayores: Las potencias mayores se utilizan principalmente para realizar observaciones lunares y, algunas veces, planetarias donde puede aumentar considerablemente la imagen, pero recuerde que el contraste y el brillo serán muy bajos debido al gran aumento. Al utilizar el ocular de 4 mm junto con la lente Barlow 3x obtendrá potencias extremadamente altas y se puede utilizar en raras ocasiones; podrá conseguir la potencia pero la imagen será oscura con bajo contraste debido a que el aumento será el máximo posible. Para obtener imágenes nítidas con los más altos niveles de contraste, utilice potencias menores.

Cómo se determina el campo visual

La determinación del campo visual es importante si desea saber el tamaño angular del cuerpo celeste que está observando. Para calcular el campo visual actual, divida el campo aparente del ocular (provisto por el fabricante del mismo) por el aumento. La fórmula de esta ecuación es:

$$\text{Campo verdadero angular} = \frac{\text{Campo aparente del ocular}}{\text{Aumento}}$$

Como puede apreciar, antes de determinar el campo visual tiene que calcular el aumento. Usando el ejemplo de la sección anterior, podemos determinar el campo visual usando el mismo ocular de 20 mm que se proporciona con el telescopio PowerSeeker 60AZ. El ocular de 20 mm tiene un campo visual aparente de 50°. Divida los 50° por el aumento, que es potencia 35. El resultado es un campo real de 1,4°.

Para convertir grados a pies a 1.000 yardas, lo cual es más útil en observaciones terrestres, simplemente multiplique por 52,5. Continuando con nuestro ejemplo, multiplique el campo angular de 1,4° por 52,5. Esto produce un ancho de 74 pies del campo lineal a una distancia de mil yardas.

Consejos generales para las observaciones

Al utilizar cualquier instrumento óptico, hay algunas cosas que se deben recordar para conseguir la mejor imagen posible.

- Nunca mire a través del cristal de ventanas. El cristal que se utiliza en las ventanas de edificios es ópticamente imperfecto y, como resultado de ello, puede variar en grosor en diferentes partes de una ventana. Esta variación afectará el poder o no enfocar su telescopio. En la mayoría de los casos no podrá conseguir una imagen verdaderamente nítida y quizás vea doble imagen.
- Nunca mire a través de los objetos o por encima de los mismos si estos producen ondas de calor. Esto incluye estacionamientos descubiertos de asfalto en los días calurosos de verano o los tejados de edificios.
- En los días nublados, con niebla o neblina puede también ser difícil ver objetos terrestres con el telescopio. La visualización detallada bajo estas circunstancias es extremadamente reducida.
- Si usted usa lentes con corrección (específicamente gafas), le recomendamos quitárselas cuando utilice el ocular acoplado al telescopio. Al utilizar una cámara, le recomendamos que use siempre sus lentes graduadas para poder conseguir el enfoque más perfecto que sea posible. Si tiene astigmatismo, le recomendamos que use sus lentes graduadas en todo momento.

Información básica sobre astronomía

Hasta esta sección, su manual ha explicado el ensamblaje y el funcionamiento básico de su telescopio. No obstante, para entender mejor su telescopio, necesita saber más sobre el cielo nocturno. Esta sección trata de la astronomía de observación en general e incluye información sobre el cielo nocturno y la alineación polar.

El sistema de coordenadas de los cuerpos celestes

Los astrónomos usan un sistema de coordenadas para poder ubicar cuerpos celestes similar a nuestro sistema de coordenadas geográficas en la Tierra. El sistema de coordenadas celestes tiene polos, líneas de longitud y latitud y un ecuador. En su gran mayoría, éstas permanecen fijas con las estrellas como fondo.

El ecuador celeste da una vuelta de 360 grados alrededor del planeta Tierra y separa los hemisferios norte y sur entre sí. Al igual que con el ecuador del planeta Tierra, su lectura es de cero grados. En la Tierra esto sería latitud. Sin embargo, en el cielo esto se conoce como declinación, o por su abreviatura, DEC. Las líneas de declinación se conocen por su distancia angular sobre o debajo del ecuador celeste. Las líneas están subdivididas en grados, minutos de arco y segundos de arco. Las lecturas de declinación al sur del ecuador tienen el signo menos (-) delante de la coordenada y las que están al norte del ecuador celeste están en blanco (p. ej., no tienen designación) o están precedidas por el signo más (+).

El equivalente celeste a la longitud se conoce como Ascensión Recta, o por su abreviatura A.R. De la misma manera que las líneas de longitud de la tierra, éstas van de un polo al otro, y están separadas uniformemente 15° entre sí. Si bien las líneas de longitud están separadas por una distancia angular, sirven también para medir el tiempo. Cada línea de longitud está a una hora de la siguiente. Dado que la Tierra rota una vez cada 24 horas, hay 24 líneas en total. Como resultado de esto, las coordenadas de A.R. están marcadas en unidades de tiempo. Comienzan con un punto arbitrario en la constelación de Piscis designado como 0 horas, 0 minutos, 0 segundos. El resto de los puntos están designados de acuerdo a la distancia (p. ej., cuánto tiempo) a esta coordenada después de pasar por encima moviéndose hacia el oeste.

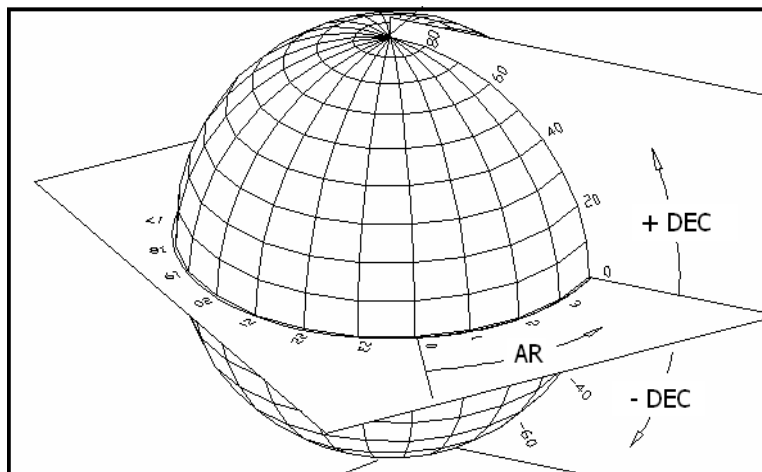
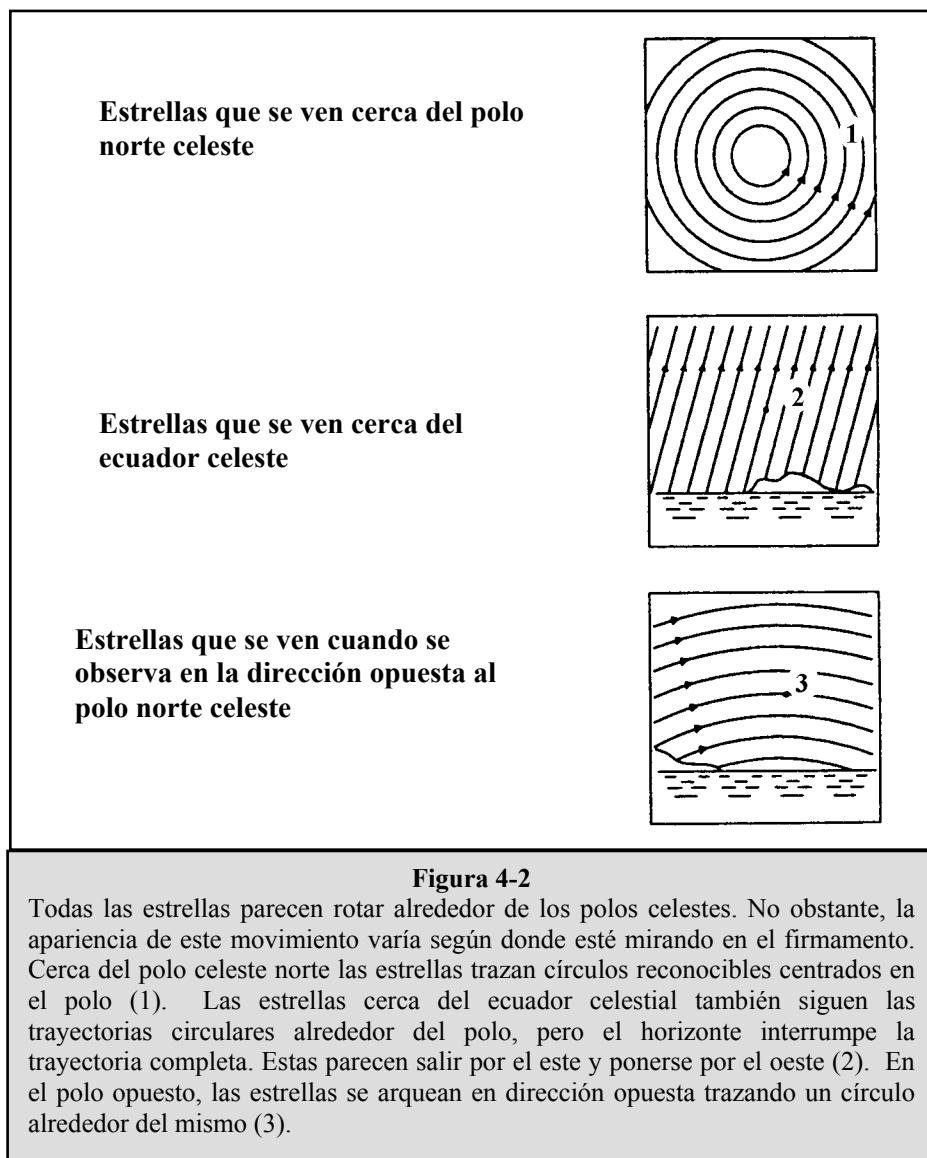


Figura 4-1

La esfera celeste vista desde el exterior mostrando A.R. y DEC.

Movimiento de las estrellas

El movimiento diario del Sol en el cielo es familiar incluso para el observador más casual. Esta trayectoria diaria no significa que el Sol se mueva, como pensaban los astrónomos del pasado, sino que es el resultado de la rotación de la Tierra. Además, la rotación de la tierra hace que las estrellas hagan lo mismo, trazando un gran círculo a medida que la Tierra completa una rotación. La trayectoria circular que sigue una estrella depende de su posición en el cielo. Las estrellas que están cerca del ecuador celeste forman los mayores círculos, naciendo por el este y poniéndose por el oeste. Estos círculos se reducen a medida que nos movemos hacia el polo celeste, que es el punto alrededor del cual las estrellas del hemisferio norte aparentemente rotan. Las estrellas en las latitudes celestes medias nacen en el noreste y se ponen en el noroeste. Las estrellas a grandes latitudes celestes están siempre sobre el horizonte, y se las llama circumpolares, porque nunca nacen ni nunca se ponen. Usted nunca va a poder ver que las estrellas completen un círculo, porque la luz solar durante el día supera la luz de las estrellas. Sin embargo, se puede ver parte de este movimiento circular de las estrellas en esta región del firmamento colocando una cámara en un trípode y abriendo el obturador por un par de horas. El tiempo de exposición cronometrado mostrará semicírculos que giran alrededor del polo. (Esta descripción de movimientos estelares se aplica también al hemisferio sur, excepto que todas las estrellas al sur del ecuador celeste se mueven alrededor del polo sur celeste).

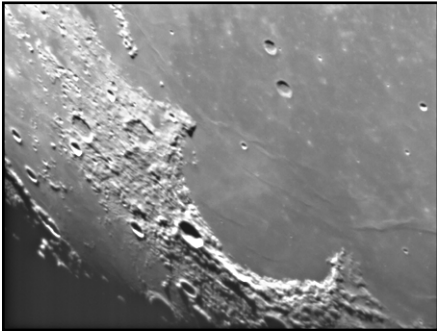




Observación de cuerpos celestes

Ahora que su telescopio está preparado, ya puede utilizarlo para hacer observaciones. Esta sección cubre las recomendaciones que se ofrecen para realizar observaciones visuales del sistema solar y de objetos en el firmamento lejano junto con circunstancias generales de observación que afectarán su posibilidad de observación.

Observación de la luna



Con frecuencia es tentador mirar a la luna llena. Aquí vemos que la cara está totalmente iluminada y su resplandor puede ser abrumador. Además de eso, durante esta fase es difícil apreciar poco o nada de contraste.

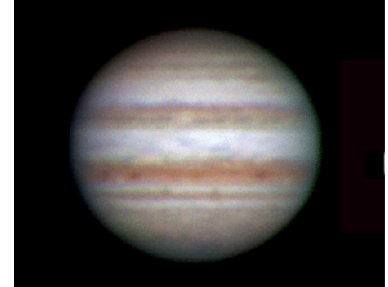
Uno de los mejores momentos para observar la luna es durante sus fases parciales, tales como el cuarto creciente o cuarto menguante. Las sombras largas revelan una gran cantidad de detalles de la superficie lunar. A baja potencia se verá casi todo el disco lunar de una vez. Cambie a oculares ópticos de mayor potencia (aumento) para enfocar en un área más pequeña.

Sugerencias para observar la luna

Para agregar contraste y poder observar más detalles en la superficie lunar, utilice los filtros opcionales. Un filtro amarillo funciona bien en la mejora del contraste mientras que una densidad neutral o filtro de polarización reducirá el brillo y el resplandor de la superficie.

Observación de los planetas

Otros cuerpos celestes fascinantes son los cinco planetas a simple vista. Venus se puede ver a través de sus fases, que son parecidas a las de la luna. Marte puede revelar una multitud de detalles sobre su superficie y uno, si no ambos, de sus casquetes polares. Podrá ver los cinturones nubosos de Júpiter y la gran Mancha Roja (si son visibles en ese momento). Además, va a poder ver las lunas de Júpiter en sus órbitas alrededor del planeta gigante. Saturno, con sus extraordinarios anillos, es fácilmente visible con potencia moderada, al igual que Mercurio.



Consejos para las observaciones planetarias

- Recuerde que las condiciones atmosféricas son por lo general el factor de limitación en la visibilidad detallada de los planetas. Por ello, evite hacer observaciones de los planetas cuando estos estén bajos en el horizonte o cuando estén directamente encima de un emisor de calor, tal como la superficie de un tejado o chimenea. Vea las “Condiciones de observación” que se presentan más adelante en esta sección.
- Para agregar contraste y poder observar más detalles en la superficie de los planetas, utilice los filtros oculares de Celestron.

Observación del sol

Aunque muchos de los aficionados astrónomos no consideran la observación solar, ésta puede ser muy satisfactoria y a la vez divertida. No obstante, debido a que el Sol tiene demasiada luz, se deben tomar especiales precauciones para proteger los ojos y el telescopio.

Para observar el Sol, utilice un filtro solar apropiado que reduzca la intensidad de la luz y así protegerse. Con un filtro podrá apreciar las manchas solares y su movimiento por el disco y las fáculas solares, las cuales son unas manchas brillantes que se ven cerca del borde del Sol.

- El mejor momento para observar el Sol es de madrugada o al atardecer cuando el aire es más fresco.
- Para centrar el Sol sin mirar por el ocular, observe la sombra del tubo del telescopio hasta que forme una sombra circular.

Observación de cuerpos celestes en el cielo profundo

Los cuerpos celestes del cielo profundo son simplemente aquellos que están fuera de los límites de nuestro sistema solar. Estos abarcan grupos estelares, nebulosas planetarias, nebulosas difusas, estrellas dobles y otras galaxias fuera de nuestra propia Vía Láctea. La mayoría de los cuerpos celestes del cielo profundo tienen un gran tamaño angular. Por lo tanto, todo lo que necesita para verlos es una potencia de baja a moderada. Visualmente son muy poco perceptibles para revelar cualquiera de los colores que se ven en las fotografías de larga exposición. En cambio, aparecen en blanco y negro. Dado su bajo brillo de superficie, se los debe observar desde un lugar con “cielo oscuro”. La contaminación lumínica en grandes zonas urbanas reduce la visibilidad de la mayoría de las nebulosas, por lo que es difícil, si no imposible, observarlas. Los filtros para reducir la luz ambiental ayudan a reducir el brillo de fondo del cielo y por consiguiente aumenta el contraste.

Salto de estrellas

Una forma conveniente de encontrar cuerpos celestes en el lejano firmamento es mediante el “salto de estrellas”. El “salto de estrellas” se lleva a cabo utilizando las estrellas para “guiar” hacia un cuerpo celeste. Para tener éxito con el “salto de estrellas” tendrá que saber el campo visual que tiene su telescopio. Si está utilizando el ocular estándar de 20 mm con el telescopio PowerSeeker, su campo visual es de 1,4° aproximadamente. Si sabe que un objeto está a una distancia de 3° de su ubicación actual, sólo necesita moverse unos dos campos visuales. Si está utilizando otro ocular, entonces consulte la sección referente a la determinación del campo visual. A continuación puede encontrar instrucciones sobre cómo ubicar dos de los objetos más populares.

La Galaxia de Andrómeda (Figura 5-1), también conocida como Messier 31 ó M31, es fácil de encontrar. Para encontrar M31:

1. Busque la constelación de Pegaso, un gran cuadrado visible en el otoño (al este del firmamento, moviéndose hacia el punto de encima) y en los meses de invierno (por encima, moviéndose hacia el oeste).
2. Comience en la estrella de la esquina del noroeste: Alfa (α) Andrómeda.
3. Muévase hacia el noroeste unos 7° aproximadamente. Ahí encontrará dos estrellas de igual brillo: Delta (δ) y Pi (π) Andrómeda (unos 3° de distancia entre sí).
4. Continúe en la misma dirección otros 8°. Ahí encontrará dos estrellas: Beta (β) y Mu (μ) Andrómeda (también unos 3° entre sí).
5. Muévase 3° al noroeste (la misma distancia entre las dos estrellas) hacia la Galaxia de Andrómeda.

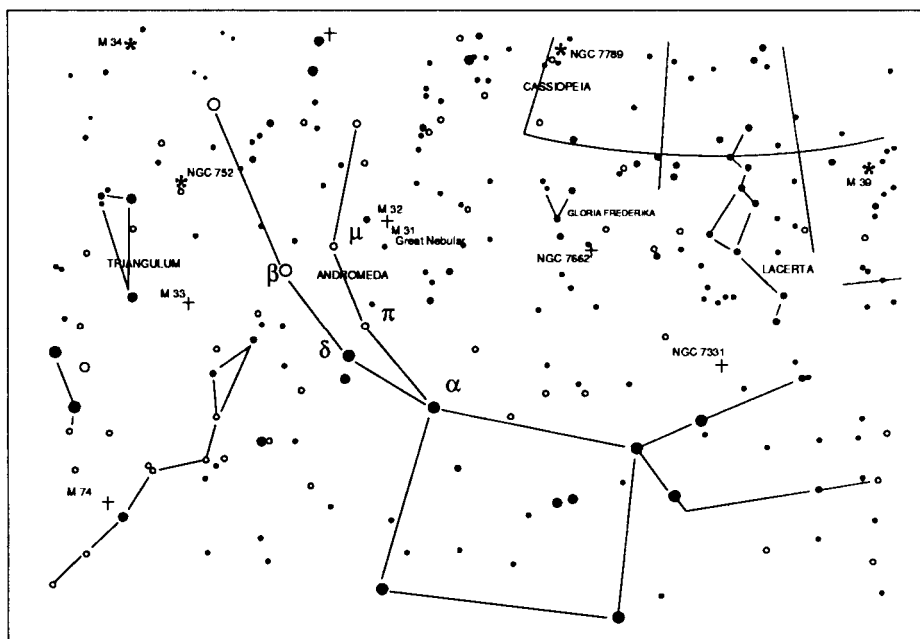


Figura 5-1

El “salto de estrellas” hacia la Galaxia de Andrómeda (M31) es muy fácil, ya que a todas las estrellas que tiene que saltar son visibles a simple vista.

Tendrá que acostumbrarse a utilizar el “salto de estrellas” y los cuerpos celestes que no tengan estrellas cerca visibles a simple vista serán difíciles de encontrar. Uno de esos cuerpos celestes es M57 (Figura 5-2), la famosa Nebulosa del Anillo. Ésta se puede encontrar de la siguiente forma:

1. Localice la constelación de Lira, un pequeño paralelogramo visible en los meses de verano y otoño. Es fácil de encontrar la constelación de Lira porque contiene la brillante estrella Vega.
2. Comience en la estrella Vega (Alfa (α) Lirae) y muévase unos grados hacia el sureste hasta encontrar el paralelogramo. Las cuatro estrellas que forman esta figura geométrica son similares en luminosidad, por lo que son fáciles de ver.
3. Busque las dos estrellas situadas en el extremo sur que forman el paralelogramo: Beta (β) y Gamma (γ) Lira.
4. Apunte hacia la mitad entre estas dos estrellas.
5. Muévase medio grado hacia Beta (β) Lira, mientras permanece en una línea conectando las dos estrellas.
6. Mire por el telescopio y la Nebulosa del Anillo estará en su campo de visión. El tamaño angular de la Nebulosa del Anillo es muy pequeño y difícil de ver.
7. Dado que la Nebulosa del Anillo es apenas visible tendrá que utilizar la técnica de la "visión periférica o desviada" para verla. La “visión periférica” es la técnica de mirar indirectamente al objeto que está observando. Es decir, si está mirando a la Nebulosa del Anillo, céntrala en su campo visual y después mire hacia su lateral. Esto causa que la luz del objeto que se está mirando vaya a los bastoncillos de los ojos que son sensibles al negro y blanco en vez de a los conos que son sensibles al color. (Recuerde que cuando se observan objetos menos perceptibles es importante hacerlo desde un lugar oscuro apartado de las luces de la ciudad o de la calle. Los ojos normales tardan en adaptarse totalmente a la oscuridad en aproximadamente 20 minutos. Es por ello que debe utilizar siempre una linterna que filtre el rojo para preservar su visión nocturna adaptada a la oscuridad).

Estos dos ejemplos le deberán dar una idea de cómo realizar el "salto de estrellas" para ir a los cuerpos celestes del firmamento profundo. Para utilizar este método en otros objetos, consulte un atlas de estrellas y comience su "salto de estrellas" para localizar cuerpos celestes utilizando estrellas que se pueden ver a simple vista.

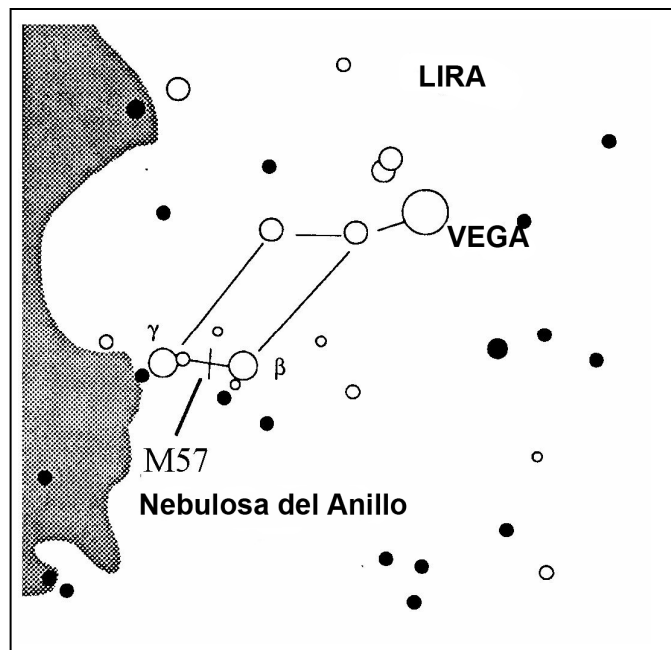


Figura 5-2

Condiciones para la observación

Las condiciones de visualización afectan lo que puede ser visible con el telescopio durante una sesión de observaciones. Las condiciones incluyen transparencia, iluminación celeste y visión. El entender las condiciones de visualización y el efecto que tienen en las observaciones le ayudarán a obtener el máximo rendimiento de su telescopio.

Transparencia

El término transparencia se refiere a la claridad de la atmósfera y si ésta está afectada por nubes, humedad y otras partículas en suspensión. Los cúmulos espesos de nubes son completamente opacos, mientras que los cirros pueden ser menos espesos, permitiendo el paso de la luz de las estrellas más brillantes. Los cielos brumosos absorben más luz que los despejados, haciendo que los cuerpos menos perceptibles sean difíciles de observar, reduciendo el contraste de los más brillantes. La transparencia también se ve afectada por los aerosoles que llegan a la atmósfera producidos por las erupciones volcánicas. Las condiciones ideales son cuando el cielo nocturno está completamente negro.

Iluminación del cielo

La claridad general del cielo causada por la luna, las auroras, la luminiscencia atmosférica natural y la contaminación ligera afectan considerablemente la transparencia. Si bien no son un problema cuando se observan estrellas y planetas más brillantes, los cielos brillantes reducen el contraste de las nebulosas extendidas, por lo cual es difícil, si no imposible, verlas. Si desea maximizar su observación, haga las observaciones de cielo profundo exclusivamente durante noches sin luna, lejos de cielos con luz de los alrededores de grandes zonas urbanas. Los filtros para la reducción de luz (Light Pollution Reduction [LPR]) mejoran las observaciones del cielo profundo desde zonas con luz, mediante el bloqueo de la misma, sin dejar de transmitir la luz proveniente de ciertos objetos del cielo profundo. Por otra parte puede también observar planetas y estrellas desde zonas con luz o cuando haya luna.

Visión

Las condiciones de la visión se refiere a la estabilidad de la atmósfera y afecta directamente la cantidad de los pequeños detalles que se ven en los objetos extendidos. El aire en nuestra atmósfera actúa como una lente, que difracta y distorsiona los rayos de luz entrantes. La cantidad de difracción depende de la densidad del aire. Las capas de aire a diferentes temperaturas tienen distintas densidades y, por consiguiente, difractan la luz de manera diferente. Los rayos de luz del mismo objeto llegan levemente desplazados, creando una imagen imperfecta o borrosa. Estas perturbaciones atmosféricas varían de vez en cuando y de un lugar a otro. El tamaño de las “parcelas de aire” comparadas a su apertura determina la calidad de la “visión”. Bajo buenas condiciones de “visión”, se pueden apreciar los detalles mínimos en los planetas más brillantes, como Júpiter y Marte, y las estrellas se ven como imágenes perfectas. Bajo condiciones desfavorables de “visión”, las imágenes se ven borrosas y las estrellas parecen manchas.

Las condiciones descritas aquí se aplican tanto a observaciones visuales como fotográficas.



Figura 5-3

Las condiciones de “visión” afectan directamente la calidad de la imagen. Estos dibujos representan una fuente de puntos (p. ej., estrella) bajo malas condiciones de “visión” (izquierda) a excelentes (derecha). Con mayor frecuencia, las condiciones de “visión” producen imágenes comprendidas entre estos dos extremos.



La serie de telescopios PowerSeeker ha sido diseñada para observaciones visuales. Después de mirar al cielo nocturno durante unos minutos es posible que quiera fotografiarlo. Hay varias formas simples de fotografiar con su telescopio 60AZ, 70AZ y 76AZ para observaciones celestes y terrestres, aunque las fotografías celestes son mejores al utilizarse un montaje ecuatorial o un soporte altacimutal computarizado. A continuación ofrecemos una explicación breve de algunos de los métodos disponibles de fotografiar y le sugerimos algunos libros sobre el tema.

Como mínimo necesitará una cámara digital o una SLR de 35 mm. Conecte su cámara al telescopio con:

- Cámara digital: Necesitará el “adaptador universal de cámara digital” (Nº 93626). El adaptador permite a la cámara tener estabilidad para fotografiar objetos terrestres y astros con un resultado de primera calidad.
- Cámara SLR de 35 mm: Tendrá que quitar las lentes de la cámara y conectar un aro T para la marca específica de la cámara. Después necesitará un adaptador en T (Nº 93625) para conectar un extremo al aro T y el otro al tubo de enfoque del telescopio. Su telescopio es ahora la lente de la cámara.

Fotografía de corta exposición con resultados de primera calidad

La fotografía de corta exposición con resultados de primera calidad es la mejor forma de obtener imágenes de los cuerpos celestes. Se puede llevar a cabo conectando la cámara al telescopio como se describe en el párrafo anterior. Tenga en mente lo siguiente:

- Podrá fotografiar la luna lo mismo que otros planetas más brillantes con muy corta exposición. Tendrá que practicar con diferentes configuraciones y tiempos de exposición. En el manual de instrucciones de su cámara podrá obtener información como suplemento a lo que puede leer en los libros que tratan con detalle este tema.
- Si es posible, haga sus fotografías cuando el cielo está oscuro.
- Recuerde que esto es sólo fotografía muy simple. Para obtener más detalles y tomar mejores fotografías de los astros se necesita un montaje ecuatorial o un soporte altacimutal computarizado.

Fotografía de la luna y de los planetas con imágenes especiales

Durante los últimos años una nueva tecnología ha evolucionado para hacer posible obtener imágenes extraordinarias de los planetas y de la luna con relativa facilidad; los resultados son verdaderamente excepcionales. Celestron ofrece el NexImage (Nº 93712) que es una cámara especial e incluye software para el procesamiento de imágenes. Puede obtener imágenes planetarias en su primera noche de observación, las cuales serán mejores que las tomadas con grandes telescopios por profesionales hace sólo unos años.

Imágenes CCD de objetos en el firmamento profundo

Se han diseñado cámaras especiales para obtener imágenes de objetos en el cielo profundo. Estas cámaras han evolucionado en los últimos años y son hoy en día más económicas, por lo que los aficionados pueden ahora obtener imágenes fantásticas con ellas. Se han escrito varios libros sobre cómo obtener las mejores imágenes posibles. La tecnología continúa evolucionando para lanzar al mercado productos mejores y más fáciles de utilizar.

Fotografía terrestre

Su telescopio tiene una excelente lente de telefoto para obtener fotografías terrestres. Puede obtener imágenes de diferentes paisajes, vida animal, naturaleza o de casi cualquier cosa. Tendrá que practicar con el enfoque, las velocidades, etc., para obtener la mejor imagen deseada. Puede adaptar su cámara de acuerdo a las instrucciones que se ofrecen en la parte superior de esta página.



Mantenimiento del telescopio

Aunque su telescopio necesita poco mantenimiento, hay algunas cosas que debe recordar para que su telescopio funcione de forma óptima.

Cuidado y limpieza de las lentes ópticas

Limpie la lente del objetivo o el espejo principal (según el tipo de telescopio que tenga) de vez en cuando para que no acumule polvo o humedad. Tenga cuidado al limpiar cualquier instrumento para no dañar el sistema óptico.

Si se acumula polvo en el sistema óptico, límpielo con un cepillo (hecho de pelo de camello) o con aire comprimido. Pulverice en diagonal la superficie de vidrio durante dos o cuatro segundos aproximadamente. A continuación, utilice una solución de limpieza para lentes ópticas y un pañuelo de papel para limpiarlo. Ponga solución al pañuelo de papel y limpie con éste el sistema óptico. Presione ligeramente desde el centro de la lente (o espejo) hacia la parte exterior. **¡NO restregar en círculos!**

Puede utilizar un limpiador de lentes fabricado o hacer la mezcla usted mismo. Una buena solución de limpieza es alcohol isopropílico mezclado con agua destilada. La solución deberá contener el 60% de alcohol isopropílico y el 40% de agua destilada. También puede utilizar jabón de vajillas diluido con agua (un par de gotas por cada litro de agua).

De vez en cuando podrá ver humedad en el sistema óptico de su telescopio durante una sesión de observación. Si desea continuar utilizando el telescopio tendrá que secar la humedad, bien con un secador de pelo (a baja temperatura) o apuntando el telescopio hacia la tierra hasta que se haya evaporado el agua.

Si hay condensación dentro del sistema óptico, quite los accesorios del telescopio. Coloque el telescopio donde no haya polvo y apúntelo hacia abajo. Esto secará la humedad en el tubo del telescopio.

Para reducir al mínimo la necesidad de limpiar su telescopio, vuelva a poner todas las cubiertas de las lentes al acabar de utilizarlo. Como los elementos NO están sellados, las cubiertas deberán colocarse sobre las aberturas cuando no se esté utilizando el telescopio. Esto evitará que entren contaminantes en el tubo óptico.

Los ajustes internos y la limpieza interna deberán realizarse solamente por el departamento de reparaciones de Celestron. Si su telescopio necesita una limpieza interna, llame a la fábrica para obtener un número de autorización para su devolución y un presupuesto del coste.

Colimación de un telescopio newtoniano

El funcionamiento óptico de la mayoría de los telescopios newtonianos reflectores puede optimizarse colimando de nuevo (alineando) el sistema óptico del telescopio si fuera necesario. Colimar el telescopio significa simplemente equilibrar los elementos ópticos. Una mala colimación resultará en aberraciones y distorsiones ópticas.

Antes de colimar su telescopio, dedique tiempo a familiarizarse con todos sus componentes. El espejo principal es el más grande de la parte extrema posterior del tubo del telescopio. Este espejo se ajusta al aflojar y apretar los tres tornillos (a 120 grados entre sí) en el extremo del tubo del telescopio. El espejo secundario (el pequeño espejo elíptico debajo del mecanismo de enfoque de la parte anterior del tubo) también tiene tres tornillos de ajuste; tendrá que utilizar herramientas (descritas a continuación) para realizar la colimación. Para determinar si el telescopio necesita colimación, apunte primero su telescopio hacia una pared iluminada o hacia el cielo azul en el exterior.

Alineación del espejo secundario

Lo siguiente describe el procedimiento para realizar la colimación de su telescopio durante el día utilizando la herramienta de colimación del telescopio newtoniano (Nº 94183) que ofrece Celestron. Para colimar el telescopio sin esta herramienta, lea la siguiente sección sobre la colimación de estrellas durante la noche. Para realizar una colimación exacta, se ofrece el ocular de colimación de 1 ¼ pulgadas (3,18 cm) (Nº 94182).

Si tiene un ocular en el mecanismo de enfoque, quítelo. Coloque el tubo de enfoque completamente utilizando los botones de enfoque hasta que el tubo plateado ya no se vea. Mirará por el mecanismo de enfoque al reflejo del espejo secundario proyectado desde el espejo principal. Mientras que hace esto, ignore el reflejo perfilado del espejo principal. Introduzca la tapa de colimación en el mecanismo de enfoque y mire a través del mismo. Al retraer totalmente el enfoque, podrá ver todo el espejo principal reflejado en el espejo secundario. Si el espejo principal no está centrado en el espejo secundario, ajuste los tornillos de éste último apretando y aflojándolos alternativamente hasta que la periferia del espejo principal esté centrado en su campo visual. NO afloje o apriete el tornillo central del soporte del espejo secundario, ya que éste mantiene la posición adecuada del espejo.

Alineación del espejo principal

Ajuste ahora los tornillos del espejo principal para volver a centrar el reflejo del pequeño espejo secundario, de forma que su silueta aparezca en el principal. Al mirar dentro del mecanismo de enfoque, las siluetas de los espejos deberán ser concéntricas. Repita los pasos uno y dos hasta que haya conseguido esto.

Retire la tapa de colimación y mire dentro del mecanismo de enfoque donde deberá ver el reflejo de sus ojos en el espejo secundario.

Vistas de la colimación del telescopio newtoniano a través del mecanismo de enfoque al utilizar la tapa de colimación

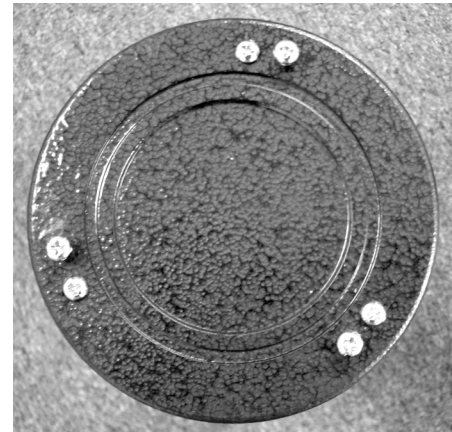
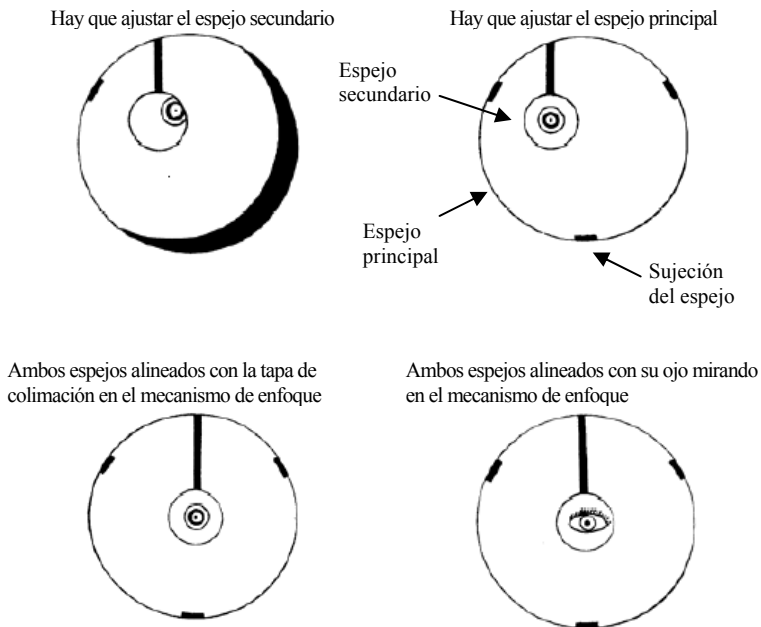


Figura 7-1 PowerSeeker 76AZ

Colimación de estrellas por la noche

Después de haber finalizado con éxito la colimación de día, la colimación de estrellas por la noche puede realizarse ajustando el espejo principal mientras el tubo del telescopio está en su soporte y apunta a una estrella brillante. El telescopio deberá configurarse de noche y se deberá estudiar la imagen de una estrella a una potencia de media a alta (de 30 a 60 de potencia por pulgada de apertura). Si hay una formación asimétrica de enfoque, es posible que se pueda corregir volviendo a colimar sólo el espejo principal.

Procedimiento (Lea esta sección completamente antes de comenzar):

Para colimar las estrellas en el hemisferio norte, apunte hacia una estrella estacionaria tal como la Polar (Polaris). Se puede encontrar en el norte del firmamento, a una distancia por encima del horizonte igual a la latitud donde usted se encuentra. También es la estrella en el extremo del mango del Carro Menor. Polaris no es la estrella que brilla más en el firmamento e incluso puede aparecer tenue dependiendo de las condiciones del cielo. Para el hemisferio sur, apunte a Sigma Octantis.

Antes de volver a colimar el espejo principal, localice los tornillos de colimación en la parte posterior del tubo del telescopio. El elemento posterior (que se muestra en la Figura 7-1) tiene tres tornillos grandes que se utilizan para la colimación y tres pequeños para ajustar el espejo en su lugar. Los tornillos de colimación inclinan el espejo principal. Comenzará aflojando los tornillos pequeños de ajuste dando unas cuantas vueltas a cada uno. Normalmente, aflojándolos $\frac{1}{8}$ de vuelta puede ser suficiente y $\frac{1}{2}$ ó $\frac{3}{4}$ de vuelta es lo máximo que se necesita para los tornillos grandes de colimación. Gire los tornillo de colimación de uno en uno y con una herramienta u ocular de colimación vea cómo la colimación es afectada (vea el siguiente párrafo). Deberá practicar esto varias veces pero al final podrá centrarlo de la forma que desea.

Es mejor utilizar la herramienta o el ocular de colimación. Mire en el mecanismo de enfoque y vea si el reflejo secundario se ha movido hacia el centro del espejo principal.

Con Polaris o una estrella brillante centrada con el campo visual, enfoque con el ocular estándar o con el de mayor potencia ocular, por ej.: la distancia focal más corta en mm, como unos 6 ó 4 mm. Otra opción es utilizar un ocular más largo de distancia focal con una lente Barlow. Cuando una estrella está enfocada deberá parecer como un punto bien definido de luz. Si el enfoque de una estrella es irregular en su forma o parece tener erupciones de luz en los bordes, esto significa que sus espejos no están alineados. Si parece haber una erupción de luz desde la estrella que permanece estable en su lugar, vuelva a colimar a medida que busca el enfoque exacto para conseguir una imagen clara.

Cuando quede satisfecho con la colimación, apriete los tornillos pequeños de ajuste.

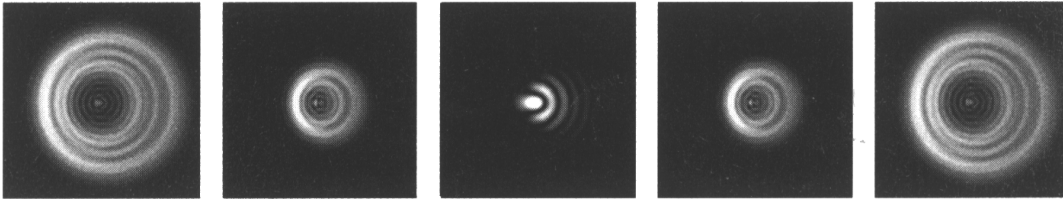


Figura 7-2

Aunque la formación estelar aparece igual en ambos lados del tubo, son en realidad asimétricas. La obstrucción oscura aparece a la izquierda de la formación de difracción, lo que indica insuficiencia de colimación.

Anote la dirección donde la luz parece brillar. Por ejemplo, si la luz parece brillar en la posición de las 3 en un reloj en el campo visual, entonces deberá mover el tornillo o una combinación de tornillos de colimación según sea necesario para mover la imagen de la estrella hacia la dirección del brote de luz. En este ejemplo, quizás deba mover la imagen de la estrella en su ocular ajustando los tornillos de colimación, hacia la posición de las 3 en un reloj en el campo visual. Es posible que sólo sea necesario ajustar un tornillo lo suficiente como para mover la imagen de la estrella desde el centro del campo visual hacia la mitad o menos del borde de dicho campo (al utilizar un ocular de gran potencia).

Los ajustes de la colimación se realizan mejor mientras se observa la posición de la estrella en el campo visual y girando los tornillos de ajuste simultáneamente. De esta forma podrá ver exactamente hacia que dirección ocurre el movimiento. Quizás necesite otra persona para que le ayude: una puede visualizar y dar instrucciones sobre el tornillo que hay que girar y cuánto hay que girarlo, mientras que la otra persona hace los ajustes necesarios.

IMPORTANTE: Después de hacer el primer ajuste o cada uno de ellos, es necesario volver a ajustar el tubo del telescopio para centrar de nuevo la estrella en el campo visual. Se puede entonces determinar la simetría de la imagen de la estrella enfocando y desenfocando y observando la forma de la misma. Se verá una mejora al realizarse el ajuste apropiado. Como hay tres tornillos, habrá que mover por lo menos dos de ellos para conseguir el movimiento necesario del espejo.

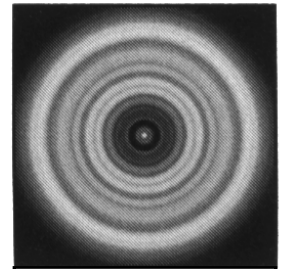


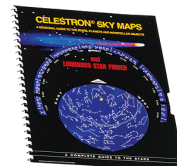
Figura 7-3

Un telescopio colimado aparecerá como una formación simétrica en forma de aro similar al disco de difracción que se ve aquí.

CELESTRON **Accesorios opcionales**

Usted va a descubrir que los accesorios adicionales de su telescopio PowerSeeker mejoran su observación y expanden la utilidad del mismo. Ésta es sólo una corta lista de los diferentes accesorios con una breve descripción de los mismos. Visite el sitio Web de Celestron o su catálogo de accesorios para obtener las descripciones completas de los accesorios disponibles.

Mapas de cuerpos celestes (N° 93722): Los mapas de cuerpos celestes de Celestron son la guía educativa ideal para aprender sobre el cielo nocturno. Aunque ya se sienta conocedor de las constelaciones principales, estos mapas le pueden ayudar a ubicar todo tipo de objetos fascinantes.



Oculares Omni Plossl – Sólo para el 60AZ, 70AZ y 76AZ. Estos oculares tienen un precio económico y ofrecen vistas extremadamente nítidas de todo el campo visual. Hay un diseño de lente de 4 elementos con las siguientes distancias focales: 4 mm, 6 mm, 9 mm, 12,5 mm, 15 mm, 20 mm, 25 mm, 32 mm y 40 mm; todos en tambores de 3,18 cm (1,25 pulg.).

Lente Omni Barlow (N° 93326): Se utiliza con cualquier ocular 60AZ, 70AZ y 76AZ y duplica el aumento del mismo. Una lente Barlow es una lente negativa que aumenta la distancia focal de un telescopio. El Omni 2x es un tambor de 3,18 cm (1,25 pulg.), mide menos de 76 mm (3 pulg.) de largo y pesa sólo 113gr (4 onzas).

Filtro lunar (N° 94119-A): Este es un económico filtro ocular de 3,18 cm (1,25 pulg.) para el 60AZ, 70AZ y 76AZ que se usa para reducir la luminosidad de la luna y mejorar el contraste, de manera que se puedan observar más detalles en la superficie lunar.



Filtro UHC/LPR de 3,18 cm (1,25 pulg.) (N° 94123): Este filtro está diseñado para mejorar las observaciones de objetos astronómicos en el espacio profundo desde zonas urbanas. Reduce selectivamente la transmisión de ciertas longitudes de onda de luz, especialmente aquellas producidas por las luces artificiales. Sólo para el 60AZ, 70AZ y 76AZ.

Linterna, visión nocturna (N° 93588): La linterna de Celestron utiliza dos LED rojos para preservar la visión nocturna mejor que los filtros rojos u otros dispositivos. Se puede ajustar el brillo. Funciona con una sola pila incluida de 9 voltios.

Herramienta de colimación (N° 94183): La colimación de su telescopio newtoniano es fácil con este accesorio; se incluyen las instrucciones detalladas de uso.

Ocular de colimación de 3,18 cm (1,25 pulgadas) (N° 94182): El ocular de colimación es ideal para realizar una colimación exacta de los telescopios newtonianos.

Adaptador de cámara digital, universal (N° 93626): Una plataforma de montaje universal que le permite hacer fotografías afocales (fotos a través del ocular de un telescopio) con su cámara digital.



Adaptador en T, universal de 3,18 cm (1,25 pulg.) (N° 93625): Este adaptador encaja en el mecanismo de enfoque de 3,18 cm de su telescopio 60AZ, 70AZ y 76AZ. Le permite colocar su cámara SLR de 35 mm para fotografiar objetos terrestres o planetarios.

| Especificaciones del PowerSeeker | 21039 | 21041 | 21036 | 21044 |
|---|--|--------------------------------------|--------------------------------------|--|
| | PS 50AZ | PS 60AZ | PS 70AZ | PS 76AZ |
| Diseño óptico | Refractor | Refractor | Refractor | Newtoniano |
| Apertura | 50 mm (2,0 pulg.) | 60 mm (2,4 pulg.) | 70 mm (2,8 pulg.) | 76 mm (3,0 pulg.) |
| Distancia focal | 600 mm | 700 mm | 700 mm | 700 mm |
| Radio focal | f/12 | f/12 | f/10 | f/9 |
| Recubrimiento óptico | Totalmente recubierto | Totalmente recubierto | Totalmente recubierto | Totalmente recubierto |
| Telescopio buscador | 5x24 | 5x24 | 5x24 | 5x24 |
| Lente a 90° | Star Diagonal, 2,44 cm (0,96 pulg.) | Imagen directa 20 mm (1,25 pulg.) | Imagen directa 20 mm (1,25 pulg.) | N/D |
| Oculares | 20 mm 0,96 pulg. (30x) | 20 mm 1,25 pulg. (35x) | 20 mm 1,25 pulg. (35x) | Imagen directa 20 mm (1,25 pulg.) 35x |
| | 12 mm 0,96 pulg. (50x) | N/D | N/D | N/D |
| | 4 mm 0,96 pulg. (150x) | 4 mm 1,25 pulg. (175x) | 4 mm 1,25 pulg. (175x) | 4 mm 1,25 pulg. (175x) |
| Campo visual aparente -- 20 mm a 50° | | | | " |
| -- 10 mm a 40° | | | | |
| Lente Barlow – 3x | 0,96 pulg. | 1,25 pulg. | 1,25 pulg. | 1,25 pulg. |
| | Con 20 mm (90x) | Con 20 mm (105x) | Con 20 mm (105x) | Con 20 mm (105x) |
| | Con 12 mm (150x) | N/D | N/D | N/D |
| | Con 4 mm (450x) | Con 4 mm (525x) | Con 4 mm (525x) | Con 4 mm (525x) |
| Campo visual angular con ocular estándar de 20 mm | 1,7° | 1,4° | 1,4° | 1,4° |
| Campo visual lineal con ocular de 20 mm (pies/1.000 yardas) | 89 | 74 | 74 | 74 |
| Soporte | Altacimutal | Altacimutal | Altacimutal | Altacimutal |
| Botón de bloqueo de la altura | sí | sí | sí | sí |
| Bloqueador acimutal | no | sí | sí | sí |
| CD-ROM "The SkyX" | sí | sí | sí | sí |
| Máximo aumento útil | 120x | 142x | 165x | 180x |
| Limitación del aumento estelar | 11,1 | 11,4 | 11,7 | 11,9 |
| Resolución, Raleigh (segundos de arco) | 2,66 | 2,31 | 1,98 | 1,82 |
| Resolución, límite Dawes " " | 2,28 | 1,93 | 1,66 | 1,53 |
| Potencia de absorción de luz | 51x | 73x | 100x | 118x |
| Longitud del tubo óptico | 56 cm (22 pulg.) | 71 cm (28 pulg.) | 76 cm (30 pulg.) | 66 cm (26 pulg.) |
| Peso del telescopio | 0,7 kg (1,5 libras) | 0,9 kg (2 libras) | 2,7 kg (6 libras) | 3,9 kg (8,5 libras) |
| Nota: Las especificaciones pueden cambiar sin notificación u obligación. | | | | |



Télescopes série PowerSeeker[®]

GUIDE DE L'UTILISATEUR

- **PowerSeeker 50AZ # 21039**
- **PowerSeeker 60AZ # 21041**
- **PowerSeeker 70AZ # 21036**
- **PowerSeeker 76AZ # 21044**

Table des matières

| | |
|--|----|
| INTRODUCTION | 3 |
| ASSEMBLAGE | 6 |
| Installation du trépied | 6 |
| Fixation du tube du télescope sur la monture | 7 |
| Déplacement manuel du télescope | 8 |
| Installation du renvoi à 90° et des oculaires (lunette) – 60AZ | 8 |
| Installation du renvoi à 90° et des oculaires (lunette) – 50AZ | 8 |
| Installation des oculaires sur les newtoniens | 9 |
| Installation et utilisation des lentilles de Barlow | 9 |
| Installation et utilisation de l’oculaire redresseur 1,5x – 50AZ | 9 |
| Installation du chercheur | 10 |
| Alignement du chercheur | 10 |
| NOTIONS FONDAMENTALES SUR LES TÉLESCOPES | 11 |
| Orientation de l’image | 12 |
| Mise au point | 12 |
| Calcul du grossissement | 12 |
| Établissement du champ de vision | 13 |
| Conseils généraux d’observation | 13 |
| NOTIONS FONDAMENTALES D’ASTRONOMIE | 14 |
| Le système de coordonnées célestes | 14 |
| Mouvement des étoiles | 15 |
| OBSERVATION CÉLESTE | 16 |
| Observation de la Lune | 16 |
| Observation des planètes | 16 |
| Observation du Soleil | 16 |
| Observation d’objets du ciel profond | 17 |
| Conditions de visibilité | 19 |
| ASTROPHOTOGRAPHY | 20 |
| Photographie au foyer primaire et courte exposition | 20 |
| Photographie planétaire et lunaire avec imageurs spéciaux | 20 |
| Imagerie CCD pour les objets du ciel profond | 20 |
| Photographie terrestre | 20 |
| ENTRETIEN DU TÉLESCOPE | 21 |
| Entretien et nettoyage des éléments optiques | 21 |
| Collimation d’un télescope newtonien | 21 |
| ACCESSOIRES EN OPTION | 24 |
| SPÉCIFICATIONS DU POWERSEEKER | 25 |



Nous vous félicitons d'avoir fait l'acquisition d'un télescope PowerSeeker ! La série de télescopes PowerSeeker se décline en plusieurs modèles et ce guide regroupe quatre modèles différents montés sur une monture Alt-AZ (la monture altazimutale est le type de monture la plus simple avec deux mouvements – altitude (haut et bas) et azimut (mouvement latéral)) — lunette 50 mm, lunette 60 mm, lunette 70 mm et newtonien 76 mm. La série PowerSeeker est fabriquée à partir de matériaux de qualité supérieure qui en assurent la stabilité et la durabilité. Tous ces éléments réunis font de ce télescope un instrument capable de vous donner une vie entière de satisfaction avec un entretien minimum.

La conception même de ces instruments est telle que l'acquéreur d'un premier télescope bénéficie ici d'un produit exceptionnel. La série PowerSeeker se distingue par un design compact et portable ainsi qu'une importante performance optique destinée à encourager tout nouvel arrivant dans l'univers des astronomes amateurs. De plus, votre télescope PowerSeeker convient parfaitement aux observations de sites terrestres grâce à une puissance d'observation élevée et étonnante.

Les télescopes PowerSeeker bénéficient d'une **garantie limitée de deux ans**. Pour de plus amples informations, consultez notre site web sur www.celestron.com

Voici quelques-unes des nombreuses caractéristiques du PowerSeeker :

- Tous les éléments optiques sont en verre traité afin d'obtenir des images claires et nettes.
- Monture altazimutale rigide se manœuvrant aisément avec pointage simple sur les objets repérés.
- Trépied pré-monté en aluminium assurant une plate-forme stable.
- Installation rapide et simple sans outils.
- CD-ROM « The SkyX » -- logiciel d'astronomie offrant des informations sur le ciel avec cartes du ciel imprimables.
- Tous les modèles peuvent être utilisés terrestriellment ou astronomiquement avec les accessoires standard livrés avec.

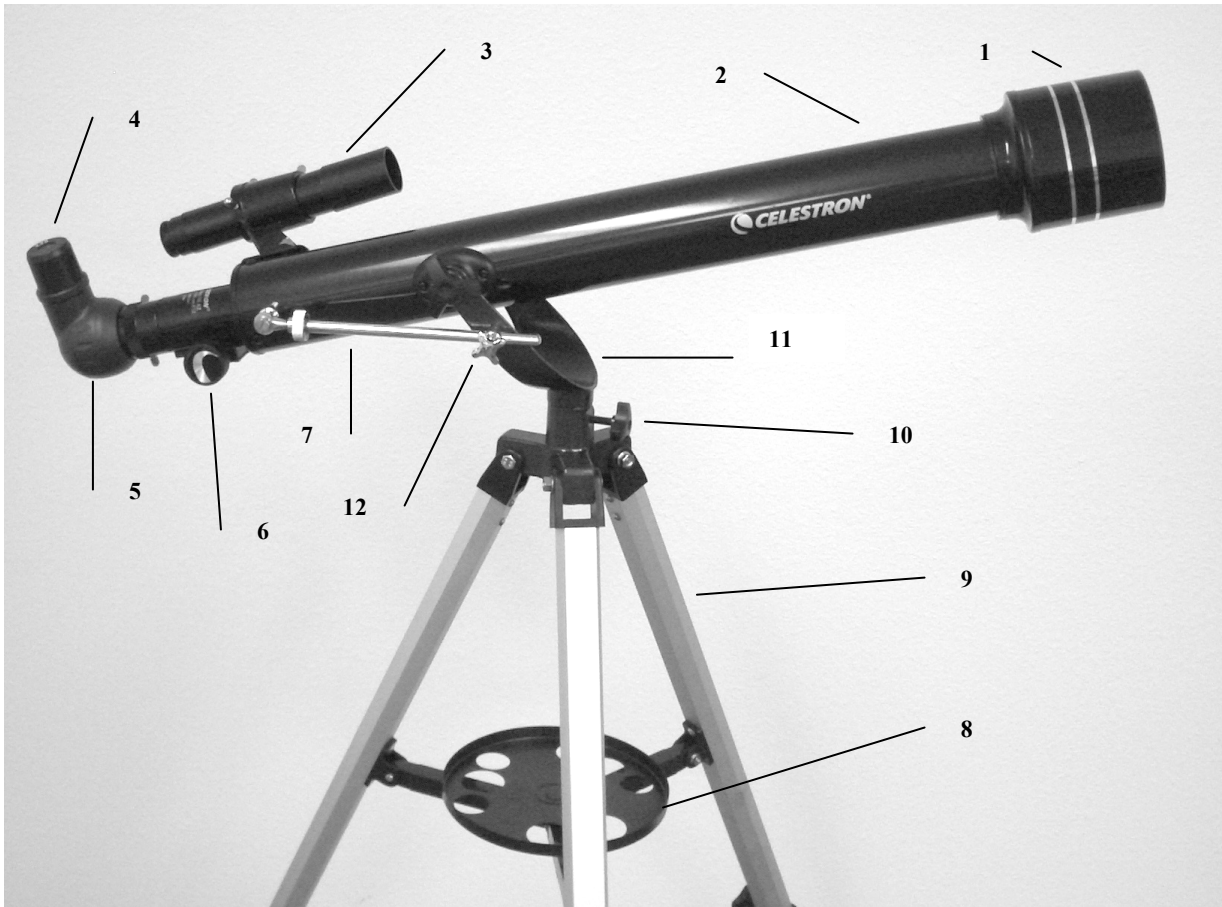
Prenez le temps de lire ce guide avant de vous lancer dans l'exploration de l'Univers. Dans la mesure où vous aurez probablement besoin de plusieurs séances d'observation pour vous familiariser avec votre télescope, gardez ce guide à portée de main jusqu'à ce que vous en maîtrisiez parfaitement le fonctionnement. Le guide fournit des renseignements détaillés sur chacune des étapes, ainsi qu'une documentation de référence et des conseils pratiques qui rendront vos observations aussi simples et agréables que possible.

Votre télescope a été conçu pour vous procurer des années de plaisir et d'observations enrichissantes. Cependant, avant de commencer à l'utiliser, il vous faut prendre en compte certaines considérations destinées à assurer votre sécurité tout comme à protéger votre matériel.

Avertissement



- **Ne regardez jamais directement le Soleil à l'œil nu ou avec un télescope (sauf s'il est équipé d'un filtre solaire adapté). Des lésions oculaires permanentes et irréversibles risqueraient de survenir.**
- **N'utilisez jamais votre télescope pour projeter une image du Soleil sur une surface quelconque. L'accumulation de chaleur à l'intérieur peut endommager le télescope et tout accessoire fixé sur celui-ci.**
- **N'utilisez jamais le filtre solaire d'un oculaire ou une cale de Herschel. En raison de l'accumulation de chaleur à l'intérieur du télescope, ces dispositifs peuvent se fissurer ou se casser et laisser la lumière du Soleil non filtrée atteindre les yeux.**
- **Ne laissez jamais le télescope seul en présence d'enfants ou d'adultes qui n'en connaissent pas forcément les procédures de fonctionnement habituelles.**



**Figure 1-1 Lunette astronomique PowerSeeker 60AZ
(Similaire au PowerSeeker 50AZ et PowerSeeker 70AZ)**

| | | | |
|----|---------------------------|-----|---|
| 1. | Objectif | 7. | Tige de contrôle lent de l'altitude (non sur le 50AZ) |
| 2. | Tube optique du télescope | 8. | Tablette à accessoires |
| 3. | Chercheur | 9. | Trépied |
| 4. | Oculaire | 10. | Verrouillage de l'azimut (non sur le 50AZ) |
| 5. | Redresseur à 90° | 11. | Monture Alt-Az |
| 6. | Bouton de mise au point | 12. | Bouton de blocage de l'altitude |

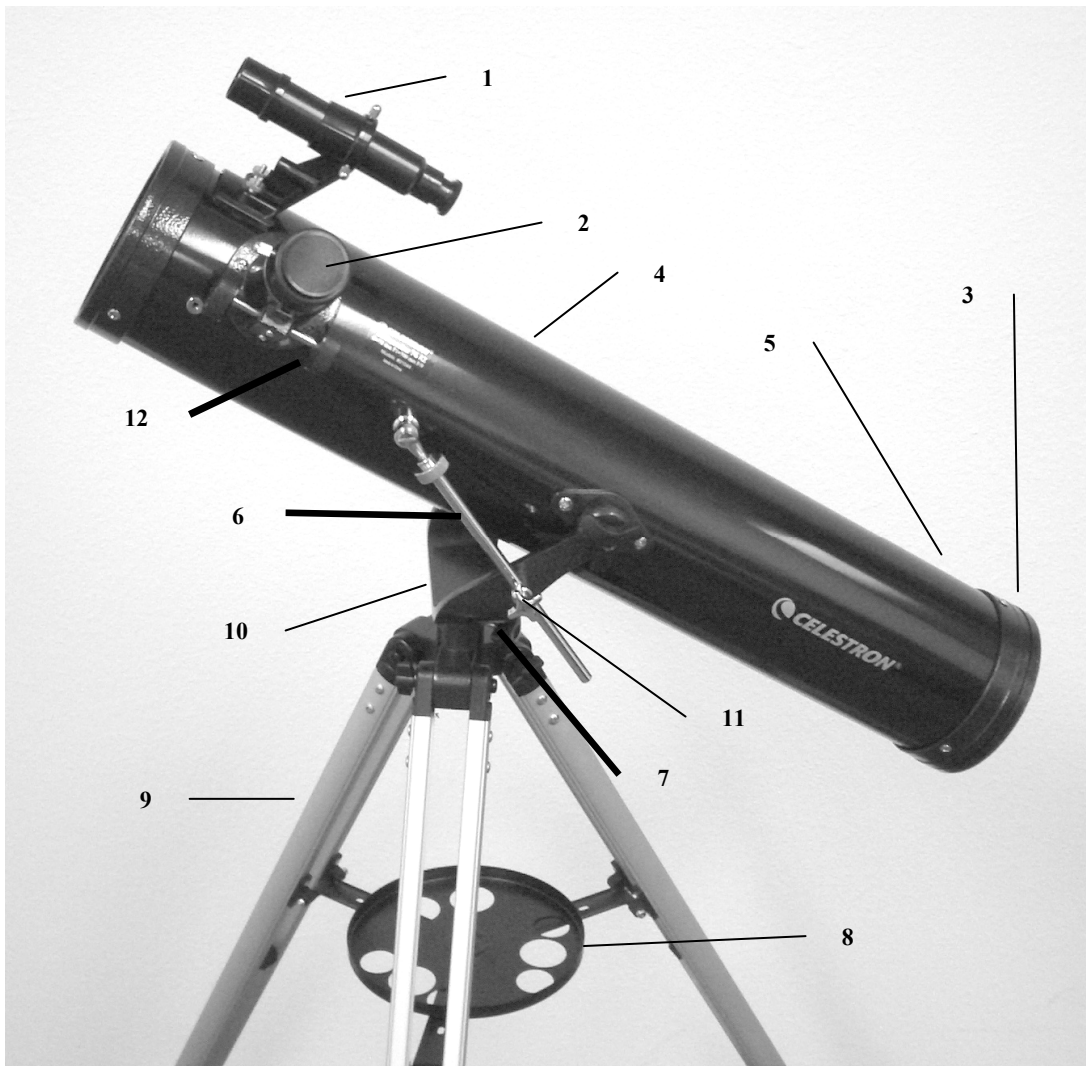


Figure 1-2 Newtonien PowerSeeker 76AZ

| | | | |
|-----------|---|------------|--|
| 1. | Chercheur | 7. | Manette de verrouillage de l'azimut |
| 2. | Oculaire | 8. | Tablette à accessoires |
| 3. | Vis de réglage de la collimation (sur l'arrière) | 9. | Trépied |
| 4. | Tube optique du télescope | 10. | Monture Alt-Az |
| 5. | Miroir primaire | 11. | Verrouillage de l'altitude |
| 6. | Tige de contrôle lent de l'altitude | 12. | Bouton de mise au point |

CELESTRON **Assemblage**

Ce chapitre explique comment assembler votre télescope PowerSeeker. Votre télescope devrait être monté à l'intérieur la première fois afin de pouvoir identifier facilement les différentes pièces et de vous familiariser avec la bonne procédure de montage avant de tenter de le faire à l'extérieur.

Chaque PowerSeeker est livré dans un carton. Les pièces du carton communes à tous les modèles sont les suivantes : tube optique, monture altazimutale et CD-ROM « The SkyX ». Le 50AZ inclut des accessoires de 24 mm (0,96 po) – oculaire de 20 mm, oculaire de 12 mm, oculaire de 4 mm, lentille de Barlow 3x, et oculaire redresseur 1,5x.

Le 60AZ, 70AZ et le 76AZ incluent des accessoires de 31 mm (1,25 po) – oculaire de 20 mm (redresseur d'images pour le 76AZ), oculaire de 4 mm, lentille de Barlow 3x, renvoi à 90° redresseur d'images pour le 60AZ.

Installation du trépied

1. Retirez le trépied du carton (Figure 2-1). Le trépied est livré pré-monté afin d'en faciliter l'installation. Chaque trépied est différent selon les modèles tout en étant cependant similaire aux photos illustrées ci-dessous.
2. Mettez le trépied debout et écartez chacun des pieds jusqu'à ce qu'ils soient en pleine extension, puis appuyez légèrement sur le support central du trépied (Figure 2-2). La partie supérieure du trépied se nomme la tête du trépied (monture altazimutale).
3. Ensuite, vous installerez la tablette à accessoires du trépied (Figure 2-3) sur le support central du trépied (centre de la Figure 2-2).
4. Une vis est fixée sous la tablette à accessoires, au centre (sauf pour le 50AZ). La vis se fixe dans l'orifice fileté situé au centre du support central du trépied en la tournant dans le sens des aiguilles d'une montre - remarque : Tirez légèrement sur le support central du trépied pour pouvoir le fixer facilement. Continuez à tourner manuellement la tablette jusqu'à ce qu'elle soit bien serrée – veillez à ne pas forcer. Le 50AZ se présente légèrement différemment. Sur ce modèle, vous dévissez un petit bouton placé au centre de la tablette (voir Figure 2-3a) puis vous installez la tablette sur le trou fileté et serrez le bouton de manière à bien maintenir la tablette en position.

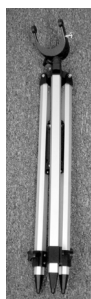


Figure 2-1



Figure 2-2



Figure 2-3



Figure 2-3a

5. Le trépied est maintenant monté (Figure 2-4).
6. Vous pouvez régler les pieds télescopiques du trépied à la hauteur souhaitée. La hauteur la plus basse est de 69 cm (27 po) et la plus haute de 119 cm (47 po). Déverrouillez les boutons de blocage à la base de chacun des pieds du trépied en les tournant dans le sens inverse des aiguilles d'une montre (Figure 2-5) et déployez les pieds à hauteur voulue, puis resserrez fermement les boutons. La Figure 2-6 donne une illustration d'un trépied en pleine extension.
7. Le trépied offrira une plus grande rigidité et stabilité aux réglages de hauteur les plus bas.



Figure 2-4

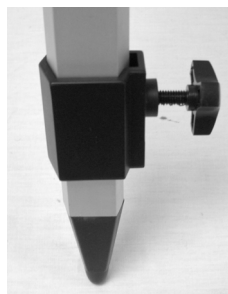


Figure 2-5



Figure 2-6

Fixation du tube du télescope sur la monture

Le tube optique du télescope se fixe sur la monture altazimutale avec la tige de contrôle lent de l'altitude et les boutons prévus pour le modèle 60AZ, 70AZ et 76AZ. Le 50AZ se fixe directement sur la tête de la monture altazimutale. Avant de commencer, retirez le cache de l'objectif (lunette) ou le cache de l'ouverture frontale (newtonien). Pour monter le tube du télescope sur les montures du 60AZ, 70AZ et du 76AZ :

- 1 Retirez le papier protecteur qui recouvre le tube optique.
- 2 Placez le tube du télescope dans la monture en fourche (altazimutale) de manière à ce que la tige de contrôle lent de l'altitude soit située du même côté que la vis de blocage (Voir Figure 1-1). **Veillez noter que sur certains télescopes, il est possible de fixer la tige au tube optique du télescope. Si cette tige n'est pas fixée au tube optique, retirez la vis du mécanisme (à l'aide de l'outil fourni à cet effet) en suivant l'illustration située sur la partie la plus à gauche de la Figure 2-7 et installez la tige en position comme illustré en Figure 2-7. Ensuite, faites passer la vis dans le trou de la tige, puis celui du mécanisme, et serrez.**
- 3 Dévissez le bouton de blocage de l'altitude afin de dégager l'orifice dans le boulon à œil (voir Figure 2-8).
- 4 Faites passer la tige dans le boulon à œil, puis serrez le bouton de blocage de l'altitude – Figure 2-9.
- 5 Enfilez les deux boutons (un de chaque côté de la monture) par la partie supérieure de la monture dans les trous filetés situés dans le tube optique et serrez – Figure 2-7.



Figure 2-7



Figure 2-8



Figure 2-9

Pour le 50AZ, procédez comme suit :

1. Retirez le papier protecteur qui recouvre le tube optique.
2. Placez le tube optique du télescope sur la monture altazimutale de manière à aligner l'orifice situé sur le dessus de la plate-forme du tube optique sur les trous de la tête de la monture – voir Figure 2-11.
3. Insérez le bouton de blocage de l'altitude (voir au centre de la Figure 2-10) à travers la tête de la monture et la plate-forme du tube optique (vérifiez que l'orifice est parfaitement dégagé sur toute la longueur avant de serrer le bouton).



Figure 2-10



Figure 2-11

Déplacement manuel du télescope

La monture Alt-Az du PowerSeeker se déplace facilement dans la direction où vous voulez l'orienter. Les mouvements ascendants et descendants (altitudes) des modèles 60AZ, 70AZ et 76AZ sont contrôlés par le bouton de blocage de l'altitude (Figure 2-12). La rotation latérale (azimut) est contrôlée par la manette de verrouillage de l'azimut (Figure 2-12). Desserrez ces commandes pour trouver des objets plus facilement (avec le chercheur), puis resserrez-les.

Pour effectuer des réglages précis de l'altitude, tournez la bague moletée de la tige de contrôle lent de l'altitude (une fois le blocage de l'altitude effectué) dans l'une ou l'autre des directions – voir Figure 2-9.



Figure 2-12

Sur le modèle 50AZ, desserrez le bouton de blocage de l'altitude – Figure 2-9, ensuite déplacez le télescope dans la direction recherchée, puis resserrez le bouton de blocage de l'altitude.

Remarque : Avant de serrer le bouton de blocage de l'altitude, utilisez le chercheur pour trouver la direction recherchée.

Installation du renvoi à 90° et des oculaires (lunette) – 60AZ et 70AZ

Le renvoi à 90° est un prisme qui dévie la lumière perpendiculairement à la trajectoire de la lumière émanant de la lunette. Ceci permet une position d'observation plus confortable que si vous deviez regarder directement à l'intérieur du tube. Ce renvoi à 90° est un redresseur d'images qui corrige l'image en la remettant debout et correctement orientée de gauche à droite, ce qui a l'avantage de faciliter l'observation d'objets terrestres. De plus, le renvoi à 90° peut être tourné sur la position qui vous convient le mieux. To install the diagonal and eyepiece/ Pour installer le renvoi à 90° et l'oculaire :

1. Insérez le petit barillet du renvoi à 90° dans l'adaptateur d'oculaire de 1,25 po (31 mm) sur le tube de mise au point du réfracteur – Figure 2-13. Vérifiez que les deux vis moletées de l'adaptateur d'oculaire ne dépassent pas dans le tube de mise au point avant l'installation et que le capuchon a bien été retiré de l'adaptateur d'oculaire.
2. Insérez l'extrémité du barillet chromé de l'un des oculaires dans le renvoi à 90° et serrez la vis moletée. Encore une fois, lors de cette procédure, assurez-vous que la vis moletée ne dépasse pas dans le renvoi à 90° avant d'insérer l'oculaire.
3. Il est possible de modifier les distances focales des oculaires en inversant la procédure décrite ci-dessus à l'étape 2.



Figure 2-13

Installation du renvoi à 90° et des oculaires (lunette) – 50AZ



Figure 2-14

Le renvoi à 90° du 50Z s'appelle un redresseur d'images car son prisme permet de corriger l'image pour la mettre à l'endroit (redresseur d'images). L'image reste cependant inversée de gauche à droite. Le renvoi à 90° ainsi que les oculaires font 24 mm (0,96 po) de diamètre. Toutes les étapes indiquées plus haut sont identiques pour le 50AZ.

Installation des oculaires sur les newtoniens

L'oculaire est l'élément optique qui grossit l'image focalisée par le télescope. Sans l'oculaire, il serait impossible d'utiliser le télescope visuellement. Les oculaires sont souvent désignés par leur distance focale et le diamètre de leur barillet. La distance focale est inversement proportionnelle à la puissance de l'oculaire : plus celle-ci est importante (c-à-d, plus le chiffre est élevé), moins le grossissement de l'oculaire (c-à-d. la puissance) l'est. Généralement, vous utiliserez une puissance de grossissement variant de faible à modérée lors de vos séances d'observation. Pour de plus amples informations sur la manière de régler le grossissement, consultez le chapitre intitulé « Calcul du grossissement ». L'oculaire s'adapte directement sur le dispositif de mise au point des newtoniens. Pour fixer les oculaires :



Figure 2-15

1. Vérifiez que les vis moletées ne dépassent pas dans le tube du dispositif de mise au point. Insérez ensuite le barillet chromé de l'oculaire dans le tube du dispositif de mise au point (retirez le capuchon du dispositif de mise au point en premier) et serrez les vis moletées – voir Figure 2-15.
2. L'oculaire de 20 mm s'appelle un oculaire redresseur étant donné qu'il corrige l'image afin qu'elle soit debout et correctement orientée de gauche à droite. Cette fonction permet d'utiliser le télescope pour des observations terrestres.
3. Il est possible de changer les oculaires en inversant la procédure décrite ci-dessus.

Installation et utilisation des lentilles de Barlow

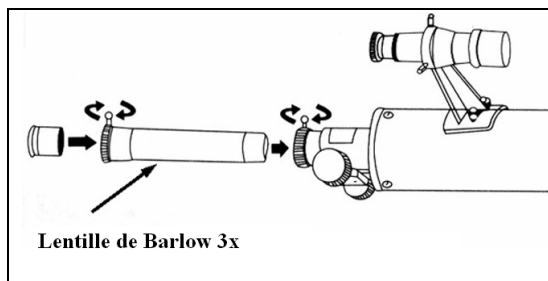


Figure 2-16

Votre télescope est équipé également d'une lentille de Barlow 3x qui triple la puissance de grossissement de chaque oculaire. Néanmoins, réservez l'utilisation d'images à grossissement important à des conditions d'observation idéales – voir le chapitre intitulé « Calcul du grossissement » de ce guide.

Pour utiliser la lentille de Barlow avec une lunette, retirez le renvoi à 90° et insérez la lentille de Barlow directement dans le dispositif de mise au point. Insérez ensuite un oculaire dans la lentille de Barlow avant toute observation. Vous pouvez aussi insérer le renvoi à 90° dans la lentille de Barlow et utiliser un oculaire dans le renvoi, mais vous ne parviendrez peut-être pas à obtenir une mise au point nette avec tous les oculaires.

Sur les télescopes newtoniens, insérez directement la lentille de Barlow dans le dispositif de mise au point. Insérez ensuite un oculaire dans la lentille de Barlow.

Remarque : Commencez par utiliser un oculaire de faible puissance pour parvenir plus facilement à effectuer une mise au point.

Installation et utilisation de l'oculaire redresseur 1,5x – 50AZ

Le PowerSeeker 50AZ est livré avec un oculaire redresseur 1,5x essentiellement destiné à l'observation terrestre diurne. Cet oculaire rectifie l'image que vous voyez dans votre télescope de façon à obtenir une image droite et corrigée de gauche à droite.

Installez et utilisez cet oculaire de la même façon qu'une lentille de Barlow, comme expliqué dans le chapitre précédent. Si l'on utilise cet oculaire, il n'est pas possible d'utiliser la lentille de Barlow.

Lorsque l'on utilise l'oculaire redresseur, le grossissement des différents oculaires est le suivant :

- avec 20 mm = 45x
- avec 12 mm = 75x
- avec 4 mm = 225x

Installation du chercheur

Pour installer le chercheur :

1. Prenez le chercheur (qui est installé dans le support du chercheur) – voir Figures 1-1 and 1-2.
2. Retirez les écrous moletés situés sur les montants filetés du tube optique – voir Figure 2-17.
3. Montez le support du chercheur en le plaçant sur les montants qui dépassent du tube optique puis en le maintenant en place vissé sur les écrous filetés. Serrez alors ces écrous.
4. Veuillez noter que le chercheur doit être orienté de manière à ce que le plus gros diamètre de la lentille soit orienté sur l'avant du tube optique.
5. Retirez les caches de la lentille des deux extrémités du chercheur.



Figure 2-17

Alignement du chercheur

Procédez comme suit pour aligner le chercheur :

1. Repérez en plein jour un objet éloigné et centrez-le dans l'un des oculaires de faible puissance (20 mm) du télescope principal.
2. Regardez dans le chercheur (l'extrémité oculaire du chercheur) et notez la position de ce même objet.
3. Sans déplacer le télescope principal, tournez les vis de réglage moletées situées autour du support de chercheur jusqu'à ce que le réticule (les fils croisés) du chercheur soit centré sur l'objet choisi avec le télescope principal.

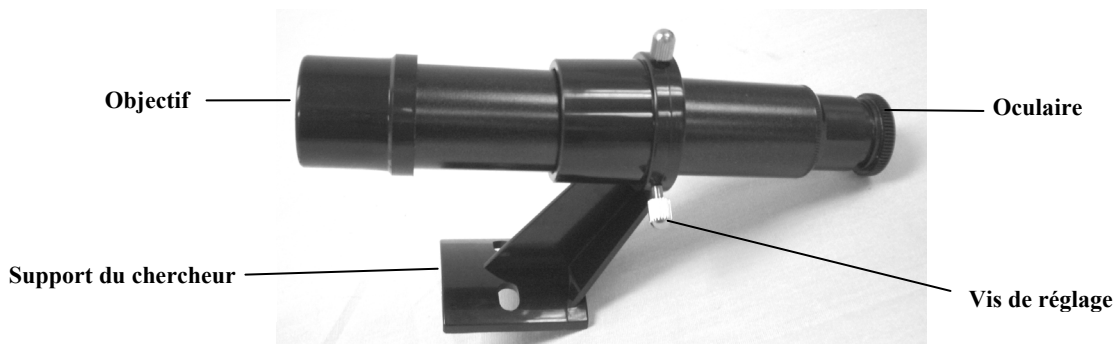


Figure 2-18 Chercheur avec support

Notions fondamentales sur les télescopes

Un télescope est un instrument qui collecte et focalise la lumière. La manière dont la lumière est focalisée est déterminée par le type de modèle optique. Certains télescopes, connus sous le nom de lunettes, utilisent des lentilles là où les télescopes réflecteurs (newtoniens) sont équipés de miroirs.

Mis au point au début du XVII^{ème} siècle, le **réfracteur** est le plus ancien modèle de télescope. Son nom provient de la méthode qu'il utilise pour faire converger les rayons lumineux incidents. Le réfracteur, ou lunette, dispose d'une lentille pour courber ou réfléchir les rayons lumineux incidents, d'où son nom (voir Figure 3-1). Les premiers modèles étaient composés de lentilles à un seul élément. Toutefois, la lentille unique a pour inconvénient de fonctionner comme un prisme et de répartir la lumière dans les différentes couleurs de l'arc-en-ciel, un phénomène connu sous le nom d'aberration chromatique. Pour pallier ce problème, une lentille à deux éléments, connue sous le nom d'achromate, a été introduite. Chaque élément possède un indice de réfraction différent permettant à deux longueurs d'ondes de lumière différentes de converger sur un même point. La plupart des lentilles à deux éléments, généralement faites de verres en crown et en flint, sont corrigées pour les lumières rouges et vertes. Il est possible de faire converger la lumière bleue sur un point légèrement différent.

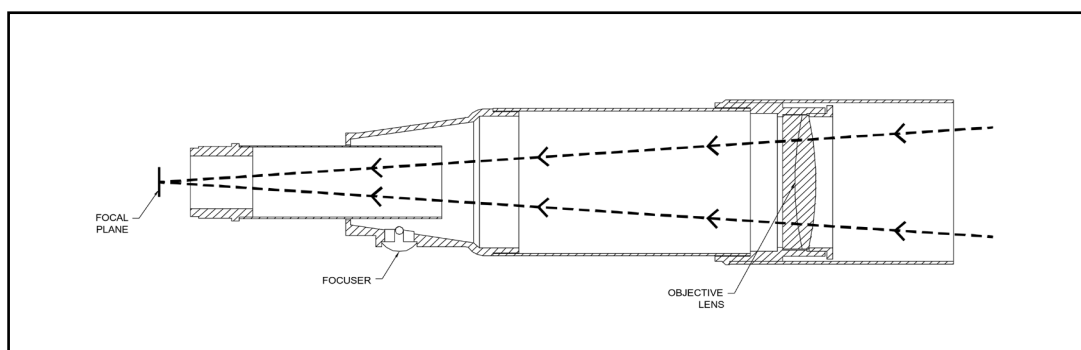


Figure 3-1

Vue en coupe de la trajectoire de la lumière dans le modèle optique de type réfracteur

Un réflecteur **newtonien** utilise un seul miroir concave comme miroir primaire. La lumière pénètre dans le tube pour atteindre le miroir situé en bout. La courbure du miroir renvoie alors la lumière vers l'avant du tube sur un seul point, le point focal. Étant donné que si vous mettiez la tête devant le télescope pour observer une image avec un oculaire, le réflecteur ne fonctionnerait pas, un miroir plan appelé *redresseur* à 90° intercepte la lumière et la renvoie sur le côté du tube et perpendiculairement à ce tube. L'oculaire est placé à cet endroit pour faciliter l'observation.

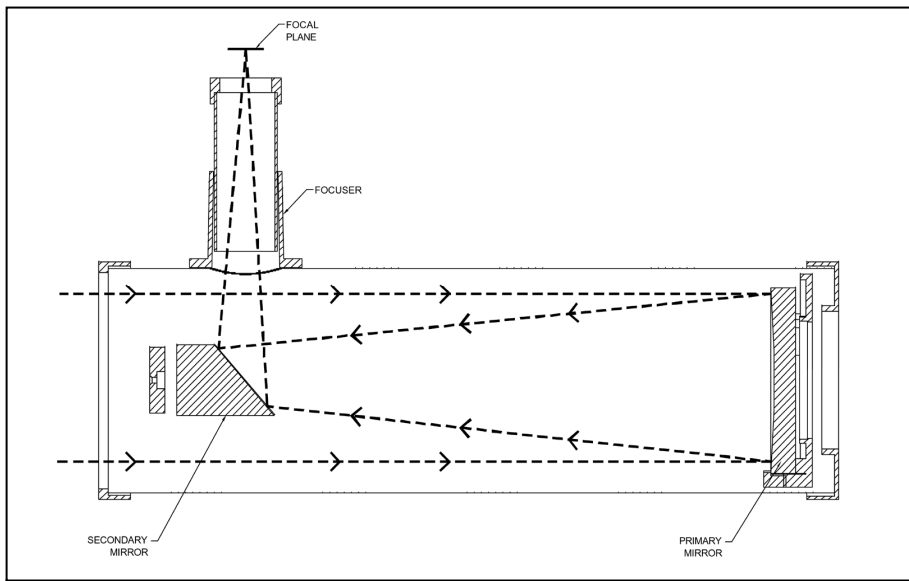


Figure 3-2

Vue en coupe de la trajectoire de la lumière dans le modèle optique newtonien

Les télescopes réflecteurs de type Newton remplacent les lentilles lourdes par des miroirs pour collecter et faire converger la lumière, offrant ainsi un pouvoir de convergence des rayons lumineux plus important pour le prix. Étant donné que la trajectoire des rayons lumineux est interceptée et réfléchi sur le côté, il est possible d'avoir des distances focales allant jusqu'à 1000 mm avec un télescope relativement compact et portable. Un télescope réflecteur newtonien offre des caractéristiques de captation de la lumière si impressionnantes que même avec un budget modeste, vous êtes en mesure de sonder sérieusement les espaces lointains en astronomie. Les télescopes réflecteurs newtoniens nécessitent un peu plus de soin et d'entretien étant donné que le miroir primaire est exposé à l'air libre et à la poussière. Toutefois, ce petit inconvénient n'affecte en rien la popularité de ce type de télescope pour ceux qui souhaitent un télescope économique capable de résoudre des objets pâles et éloignés.

Orientation de l'image

L'orientation de l'image dépend de la manière dont l'oculaire est inséré dans le télescope. Si vous observez avec un renvoi à 90° avec des lunettes, l'image obtenue sera à l'endroit, mais inversée de gauche à droite (effet d'image miroir). Si vous insérez l'oculaire directement dans le dispositif de mise au point d'une lunette (c-à-d. sans le renvoi à 90°), l'image est renversée et inversée de gauche à droite. Toutefois, en utilisant la lunette PowerSeeker avec le renvoi à 90° redresseur d'images standard, l'orientation de l'image est correcte.

Les réflecteurs newtoniens produisent une image à l'endroit, mais celle-ci apparaîtra tournée en fonction de l'emplacement du support de l'oculaire par rapport au sol. Toutefois, il suffit d'utiliser l'oculaire redresseur d'images fourni avec les newtoniens PowerSeeker pour obtenir une bonne orientation de l'image.



Figure 3-3

Mise au point

Pour faire la mise au point de votre lunette ou télescope newtonien, il suffit de tourner le bouton de mise au point situé directement sous le porte-oculaire (voir Figures 2-13, 2-14 et 2-15). Tournez ce bouton dans le sens des aiguilles d'une montre pour faire une mise au point sur un objet plus éloigné de vous que celui que vous êtes en train d'observer. Tournez le bouton dans le sens inverse pour faire la mise au point sur un objet plus proche de vous que celui que vous êtes en train d'observer.

Remarque : Si vous portez des lentilles correctrices (et plus particulièrement des lunettes), il peut s'avérer utile de les retirer avant d'effectuer des observations au moyen d'un oculaire fixé au télescope. Toutefois, lorsque vous utilisez un appareil photo, vous devriez toujours porter vos lentilles correctrices pour parvenir à la mise au point la plus précise. Si vous êtes astigmat, vous devez porter vos lentilles correctrices en permanence.

Calcul du grossissement

Vous pouvez modifier la puissance de votre télescope en changeant simplement l'oculaire. Pour déterminer le grossissement de votre télescope, il suffit de diviser la distance focale du télescope par la distance focale de l'oculaire utilisé. L'équation est la suivante :

$$\text{Grossissement} = \frac{\text{Distance focale du télescope (mm)}}{\text{Distance focale de l'oculaire (mm)}}$$

Supposons, par exemple, que vous utilisiez l'oculaire de 20 mm livré avec votre télescope. Pour déterminer le grossissement, il suffit de diviser la distance focale du télescope (à titre d'exemple, le PowerSeeker 60AZ possède une distance focale de 700 mm) par la distance focale de l'oculaire, soit 20 mm. 700 divisé par 20 équivaut à un grossissement de 35.

Bien que la puissance soit réglable, tous les instruments d'observation sont limités à un grossissement maximal utile pour un ciel ordinaire. En règle générale, on utilise un grossissement de 60 pour chaque pouce (25,4 mm) d'ouverture. À titre d'exemple, le diamètre du PowerSeeker 60AZ est de 61 mm (2,4 pouces). La multiplication de 2,4 par 60 donne un grossissement maximal utile égal à 144. Bien qu'il s'agisse du grossissement maximal utile, la plupart des observations sont réalisées dans une plage de grossissement de 20 à 35 chaque 25,4 mm d'ouverture, soit une plage de grossissement de 48 à 84 dans le cas du télescope PowerSeeker 60AZ. Vous pouvez déterminer le grossissement de votre télescope de la même façon.

Remarque concernant l'utilisation de grossissements importants – Les grossissements importants sont utilisés principalement pour les observations lunaires et parfois planétaires pour lesquelles il est possible d'agrandir considérablement l'image. N'oubliez pas toutefois que le contraste et la luminosité seront très faibles en raison de l'importance du grossissement. L'utilisation de l'oculaire de 4 mm avec la lentille de Barlow 3x permet d'obtenir un grossissement extrêmement élevé dans de rares occasions – il faut seulement savoir que ce grossissement de l'image est obtenu au détriment du contraste et de la luminosité parce que vous atteignez la puissance de grossissement maximum dans ce cas. Pour des images plus lumineuses offrant les meilleurs contrastes possibles, utilisez de faibles grossissements.

Établissement du champ de vision

L'établissement du champ de vision est important si vous voulez avoir une idée du diamètre apparent de l'objet observé. Pour calculer le champ de vision réel, divisez le champ apparent de l'oculaire (fourni par le fabricant de l'oculaire) par le grossissement. L'équation est la suivante :

$$\text{Champ réel} = \frac{\text{Champ apparent de l'oculaire}}{\text{Grossissement}}$$

Comme vous pouvez le constater, il est nécessaire de calculer le grossissement avant d'établir le champ de vision. À l'aide de l'exemple indiqué plus haut, nous pouvons déterminer le champ de vision avec le même oculaire de 20 mm, fourni avec tous les télescopes PowerSeeker 60AZ. Le champ de vision apparent d'un oculaire de 20 mm est de 50°. Il faut alors diviser 50° par le grossissement de 35. Le résultat est un champ de vision actuel (réel) de 1,4°.

Pour convertir des degrés en pieds à 1000 verges, ce qui est plus utile pour des observations terrestres, il suffit de multiplier le champ de vision par 52,5. En continuant avec notre exemple, multipliez le champ angulaire de 1,4° par 52,5. La largeur du champ linéaire est alors égale à 22,5 mètres (74 pieds) à une distance de mille verges (914, 4 mètres).

Conseils généraux d'observation

L'utilisation d'un instrument optique nécessite la connaissance de certains éléments de manière à obtenir la meilleure qualité d'image possible.

- Ne regardez jamais à travers une vitre. Les vitres des fenêtres ménagères contiennent des défauts optiques et l'épaisseur varie ainsi d'un point à un autre de la vitre. Ces irrégularités risquent d'affecter la capacité de mise au point de votre télescope. Dans la plupart des cas, vous ne parviendrez pas à obtenir une image parfaitement nette et vous risquez même parfois d'avoir une image double.
- Ne jamais regarder au-delà ou par-dessus des objets produisant des vagues de chaleur, notamment les parkings en asphalte pendant les jours d'été particulièrement chauds, ou encore les toitures des bâtiments.
- Les ciels brumeux, le brouillard et la brume risquent de créer des difficultés de mise au point en observation terrestre. Les détails sont nettement moins visibles avec ce type de conditions.
- Si vous portez des lentilles correctrices (et plus particulièrement des lunettes), il peut s'avérer utile de les retirer avant d'effectuer des observations au moyen d'un oculaire fixé au télescope. Toutefois, lorsque vous utilisez un appareil photo, vous devriez toujours porter vos lentilles correctrices pour obtenir la mise au point la plus précise. Si vous êtes astigmat, vous devez porter vos lentilles correctrices en permanence.

Jusqu'à ce point, nous n'avons traité dans ce guide que de l'assemblage et du fonctionnement de base de votre télescope. Toutefois, pour mieux comprendre cet instrument, vous devez vous familiariser un peu avec le ciel nocturne. Ce chapitre traite de l'astronomie d'observation en général et comprend des informations sur le ciel nocturne et l'alignement polaire.

Le système de coordonnées célestes

Afin de trouver des objets célestes, les astronomes ont recours à un système de coordonnées célestes similaire au système de coordonnées géographiques que l'on utilise sur Terre. Le système de coordonnées célestes possède des pôles, des lignes de longitude et de latitude, et un équateur. Dans l'ensemble, ces repères restent fixes par rapport aux étoiles.

L'équateur céleste parcourt 360 degrés autour de la Terre et sépare l'hémisphère céleste nord de l'hémisphère sud. Tout comme l'équateur terrestre, il présente une position initiale de zéro degré. Sur Terre, ceci correspondrait à la latitude. Toutefois, dans le ciel, on y fait référence sous le nom de déclinaison, ou DEC en abrégé. Les lignes de déclinaison sont nommées en fonction de leur distance angulaire au-dessus et en dessous de l'équateur céleste. Ces lignes sont divisées en degrés, minutes d'arc et secondes d'arc. Les chiffres des déclinaisons au sud de l'équateur sont accompagnés du signe moins (-) placé devant les coordonnées et ceux de l'équateur céleste nord sont soit vierges (c-à-d. sans désignation) soit précédés du signe (+).

L'équivalent céleste de la longitude s'appelle l'ascension droite, ou A.D. en abrégé. Comme les lignes de longitude terrestres, ces lignes vont d'un pôle à l'autre et sont espacées régulièrement de 15 degrés. Bien que les lignes de longitude soient séparées par une distance angulaire, elles sont aussi une mesure du temps. Chaque ligne de longitude est placée à une heure de la suivante. Étant donné que la Terre accomplit une révolution en 24 heures, il existe un total de 24 lignes. Pour cette raison, les coordonnées de l'ascension droite sont exprimées en unités temporelles. Le départ se fait sur un point arbitraire dans la constellation des Poissons situé à 0 heure, 0 minute, 0 seconde. Tous les autres points sont désignés par la distance (autrement dit la durée) qui les sépare de cette coordonnée une fois qu'elle les a dépassés en suivant sa trajectoire céleste vers l'ouest.

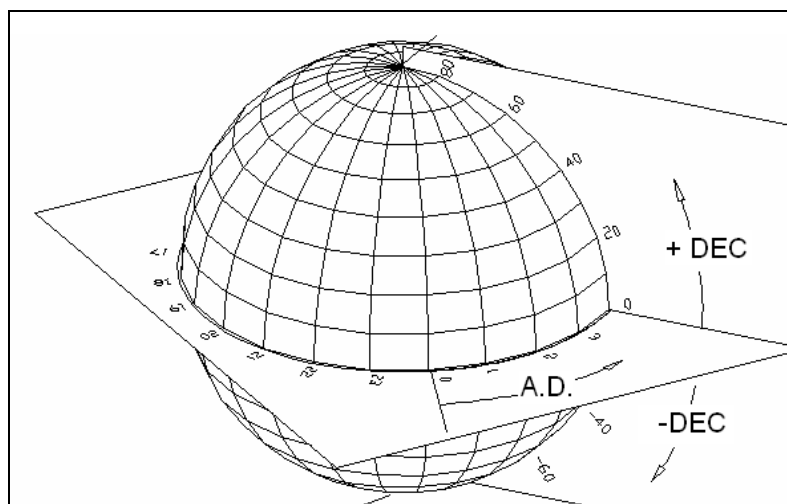
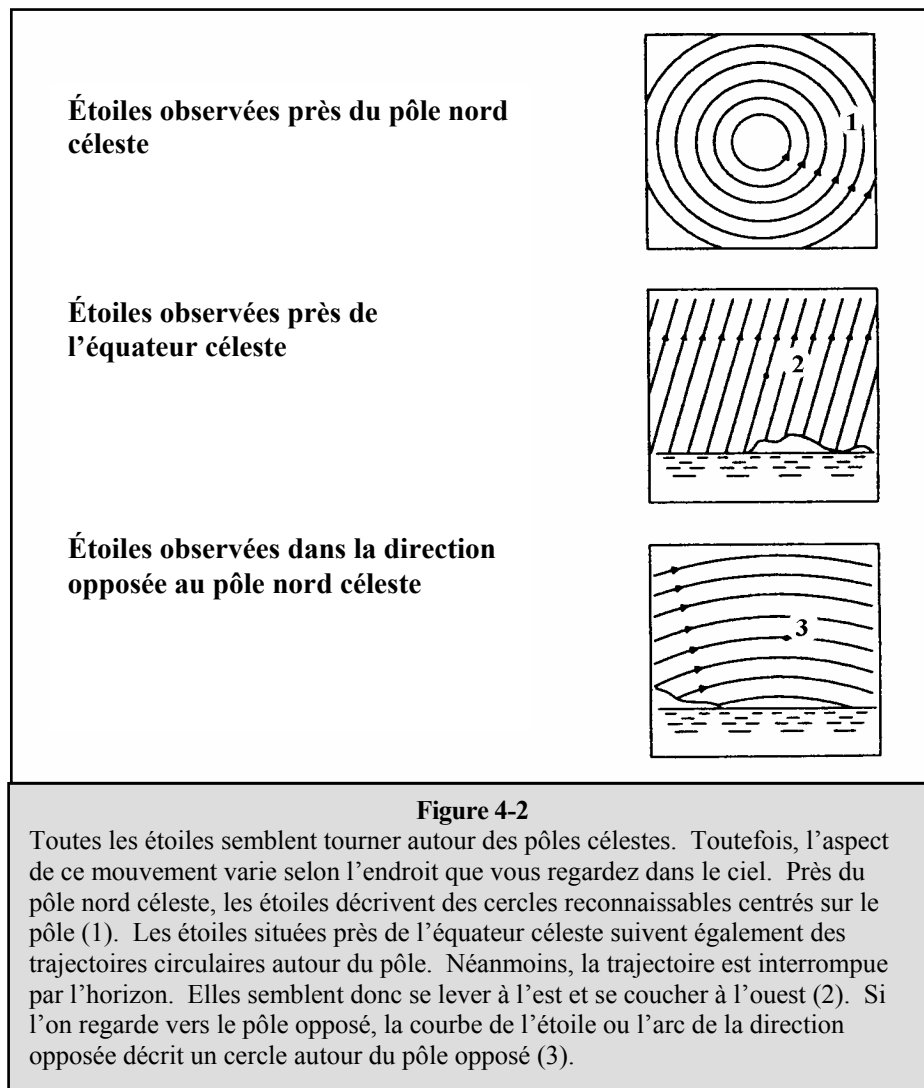


Figure 4-1

La sphère céleste vue de l'extérieur avec l'ascension droite et la déclinaison.

Mouvement des étoiles

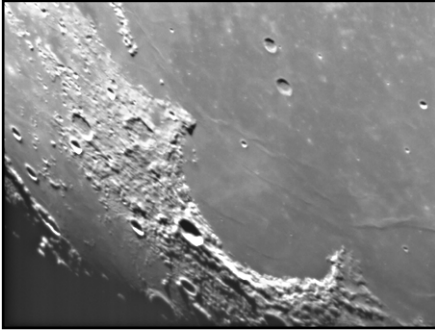
Le mouvement quotidien du Soleil dans le ciel est familier, même à l'observateur néophyte. Cette avancée quotidienne n'est pas due au déplacement du Soleil, comme le pensaient les premiers astronomes, mais à la rotation de la Terre. La rotation de la Terre entraîne les étoiles à en faire autant, en décrivant un large cercle lorsque la Terre finit une révolution. La taille de la trajectoire circulaire d'une étoile dépend de sa position dans le ciel. Les étoiles situées à proximité de l'équateur céleste forment les cercles les plus larges se levant à l'est et se couchant à l'ouest. En se déplaçant vers le pôle nord céleste, le point autour duquel les étoiles de l'hémisphère nord semblent tourner, ces cercles deviennent plus petits. Les étoiles des latitudes mi-célestes se lèvent au nord-est et se couchent au nord-ouest. Les étoiles situées à des latitudes célestes élevées apparaissent toujours au-dessus de l'horizon et sont qualifiées de circumpolaires parce qu'elles ne se lèvent ni ne se couchent jamais. Vous ne verrez jamais les étoiles compléter un cercle parce que la lumière du Soleil pendant la journée atténue leur luminosité. Toutefois, il est possible d'observer partiellement ce déplacement circulaire des étoiles dans cette région en réglant un appareil photo sur un trépied et en ouvrant l'obturateur pendant deux heures environ. L'exposition minutée révélera des demi-cercles qui tournent autour du pôle. (Cette description des mouvements stellaires s'applique également à l'hémisphère sud, à cette différence que toutes les étoiles au sud de l'équateur céleste se déplacent autour du pôle sud céleste).



CELESTRON **Observation céleste**

Dès que votre télescope est configuré, vous pouvez débiter vos séances d'observation. Ce chapitre traite des conseils d'observation visuelle des astres du système solaire et du ciel profond, ainsi que des conditions d'observation générales qui affectent vos possibilités d'observation.

Observation de la Lune



Il est souvent tentant de regarder la Lune lorsqu'elle est pleine. C'est le moment où la face visible est alors intégralement éclairée et où la luminosité peut s'avérer trop intense. De plus, il y a peu ou pas de contraste durant cette phase.

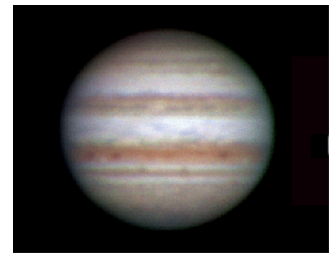
Les phases partielles de la Lune constituent l'un des moments privilégiés de l'observation lunaire (autour du premier ou du troisième quartier). Les ombres allongées révèlent toute une myriade de détails de la surface lunaire. À faible puissance, vous pouvez distinguer la majeure partie du disque lunaire. Utilisez des oculaires (en option) d'une puissance (grossissement) supérieure pour faire le point sur une zone plus limitée.

Conseils d'observation lunaire

Pour augmenter le contraste et faire ressortir les détails de la surface lunaire, utilisez des filtres en option. Un filtre jaune améliore bien le contraste, alors qu'un filtre de densité neutre ou un filtre polarisant réduit la luminosité générale de la surface et les reflets.

Observation des planètes

Les cinq planètes visibles à l'œil nu constituent d'autres cibles fascinantes. Vous pouvez apercevoir Vénus traverser des phases semblables à celles de la Lune. Mars révèle parfois une myriade de détails relatifs à sa surface et l'une de ses calottes polaires, voire les deux. Vous pourrez également observer les ceintures nuageuses de Jupiter et la Grande Tache Rouge (si elle est visible au moment de l'observation). De plus, vous pourrez également voir les lunes de Jupiter en orbite autour de la planète géante. Saturne et ses magnifiques anneaux sont facilement visibles à puissance moyenne.



Conseils d'observation des planètes

- N'oubliez pas que les conditions atmosphériques constituent habituellement le facteur déterminant de la quantité de détails visibles. Par conséquent, évitez d'observer les planètes lorsqu'elles sont basses sur la ligne d'horizon ou lorsqu'elles sont directement au-dessus d'une source de chaleur rayonnante, comme un toit ou une cheminée. Consultez les « Conditions de visibilité » plus loin dans ce chapitre.
- Pour augmenter le contraste et distinguer les détails de la surface des planètes, essayez d'utiliser les filtres d'oculaire Celestron.

Observation du Soleil

Bien que le Soleil soit souvent délaissé par de nombreux astronomes amateurs, son observation se révèle à la fois enrichissante et ludique. Toutefois, en raison de sa très forte luminosité, des précautions spéciales doivent être prises pour éviter toute blessure oculaire ou tout dommage du télescope.

Pour observer le Soleil en toute sécurité, utilisez un filtre solaire adapté de manière à réduire l'intensité de la lumière solaire pour une observation sans danger. Avec un filtre, vous pouvez observer les taches solaires qui se déplacent sur le disque solaire et la facule, qui sont des zones lumineuses visibles sur la bordure du Soleil.

- Les moments les plus propices à l'observation du Soleil sont le début de la matinée et la fin de l'après-midi, lorsque la température se rafraîchit.
- Pour centrer le Soleil sans regarder dans l'oculaire, observez l'ombre du tube du télescope jusqu'à ce que ce dernier forme une ombre circulaire.

Observation d'objets du ciel profond

Les objets du ciel profond sont ceux situés en dehors de notre système solaire. Il s'agit d'amas stellaires, de nébuleuses planétaires, de nébuleuses diffuses, d'étoiles doubles et d'autres galaxies situées hors de la Voie lactée. La plupart des objets du ciel profond possèdent une grande taille angulaire. Un télescope de puissance faible à modérée suffit donc à les observer. D'un point de vue visuel, ils sont trop peu lumineux pour révéler les couleurs qui apparaissent sur les photographies à longue exposition. Ils sont d'ailleurs visibles en noir et blanc. Et, en raison de leur faible luminosité de surface, il faudrait les observer à partir d'un point obscur du ciel. La pollution lumineuse autour des grands centres urbains masque la plupart des nébuleuses, ce qui les rend difficiles, sinon impossibles, à observer. Les filtres de réduction de la pollution lumineuse aident à réduire la luminosité du ciel en arrière-plan, ce qui a pour effet d'augmenter le contraste.

Le Star Hopping (cheminement visuel)

L'un des moyens les plus pratiques pour trouver des objets du ciel profond consiste à faire du « star hopping ». Le Star Hopping s'effectue généralement en vous servant d'étoiles brillantes pour vous « guider » vers un objet. Pour réussir ce Star Hopping, il est utile de connaître le champ de vision de votre télescope. Si vous utilisez l'oculaire standard de 20 mm livré avec le télescope PowerSeeker, votre champ de vision est d'environ 1,4°. Si vous savez qu'un objet est situé à 3° de votre emplacement actuel, il vous suffit de vous déplacer de deux champs de vision. Si vous utilisez un autre oculaire, consultez alors le chapitre sur l'établissement du champ de vision. Vous trouverez ci-dessous des instructions pour repérer deux objets populaires.

La galaxie d'Andromède (Figure 5-1), également connue sous le nom de M31, est une cible facile. Pour trouver M31 :

1. Repérez la constellation de Pégase, un grand carré visible à l'automne (dans le ciel oriental, se déplaçant vers le point au-dessus de vos têtes) et dans les mois d'hiver (au-dessus de vos têtes, se déplaçant vers l'ouest).
2. Commencez par l'étoile située dans l'angle nord-est—Alpha (α) Andromède.
3. Déplacez-vous d'environ 7° vers le nord-est. Vous trouverez là deux étoiles de luminosité similaire —Delta (δ) et Pi (π) Andromède—à environ 3° de distance.
4. Continuez de 8° dans la même direction. Vous y trouverez deux étoiles —Bêta (β) et Mu (μ) Andromède—à environ 3° de distance également.
5. Déplacez-vous de 3° vers le nord-ouest—la même distance que celle séparant les deux étoiles—vers la galaxie d'Andromède.

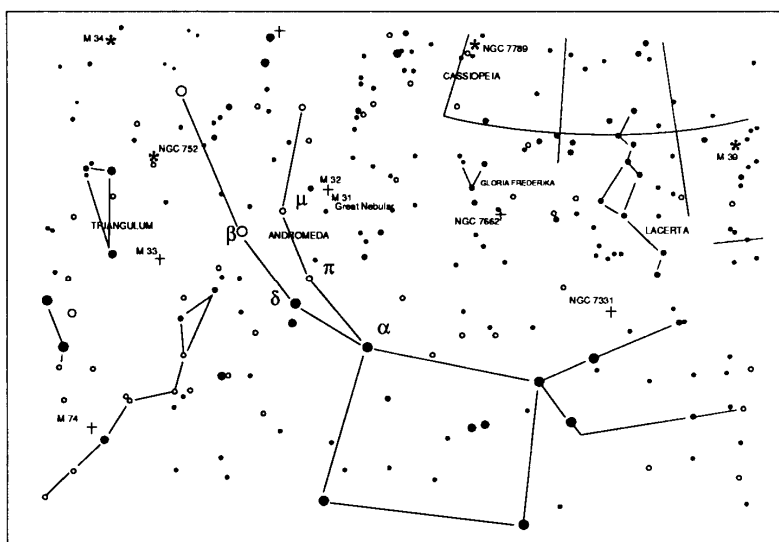


Figure 5-1

Le Star Hopping vers la galaxie d'Andromède (M31) est un jeu d'enfant étant donné que toutes les étoiles permettant d'y parvenir sont visibles à l'œil nu.

Le Star Hopping demande une certaine habitude et les objets qui n'ont pas d'étoiles à proximité permettant de les distinguer à l'œil nu sont plus difficiles à localiser. Parmi ces objets, citons M57 (Figure 5-2), la fameuse Nébuleuse de l'Anneau. Voici comment la trouver :

1. Trouvez tout d'abord la constellation de la Lyre, un petit parallélogramme visible les mois d'été et d'automne. La Lyre est facile à repérer parce qu'elle comporte l'étoile brillante Véga.
2. Commencez par l'étoile Véga—Alpha (α) Lyre—et déplacez-vous de quelques degrés vers le sud-ouest pour trouver le parallélogramme. Les quatre étoiles composant cette forme géométrique sont toutes similaires en luminosité, ce qui permet de les repérer facilement.
3. Repérez les deux étoiles les plus au sud de ce parallélogramme—Bêta (β) et Gamma (β) Lyre.
4. Pointez à mi-chemin entre ces deux étoiles.
5. Déplacez-vous d'environ $\frac{1}{2}^\circ$ vers Bêta ($\frac{1}{2}$) Lyre tout en restant sur une ligne reliant les deux étoiles.
6. Regardez dans le télescope et la Nébuleuse de l'Anneau devrait se trouver dans votre champ de vision. La taille angulaire de la Nébuleuse de l'Anneau est assez petite et difficile à voir.
7. Étant donné que la Nébuleuse de l'Anneau est assez pâle, il vous faudra peut-être utiliser la « vision périphérique » pour la voir. La « vision périphérique » est une technique permettant de voir légèrement à distance de l'objet que vous êtes en train d'observer. Dans ces conditions, si vous observez la Nébuleuse de l'Anneau, centrez-la dans votre champ de vision et regardez sur le côté. Ainsi, la lumière de l'objet observé active les bâtonnets rétinien qui ne permettent que la vision en noir et blanc, plutôt que les cônes sensibles à la couleur. (N'oubliez pas qu'en observant des objets pâles, il est important de se placer dans un endroit sombre, éloigné des lumières des rues et de la ville. L'œil nécessite en moyenne 20 minutes pour s'adapter complètement à l'obscurité. Utilisez donc toujours une lampe de poche munie d'un filtre rouge pour préserver votre faculté d'adaptation à l'obscurité).

Ces deux exemples devraient vous donner une idée de la manière d'effectuer le Star Hopping pour regarder les objets du ciel profond. Pour utiliser cette méthode sur d'autres objets, consultez un atlas des étoiles, puis faites votre cheminement visuel pour trouver l'objet de votre choix en utilisant des étoiles visibles à « l'œil nu ».

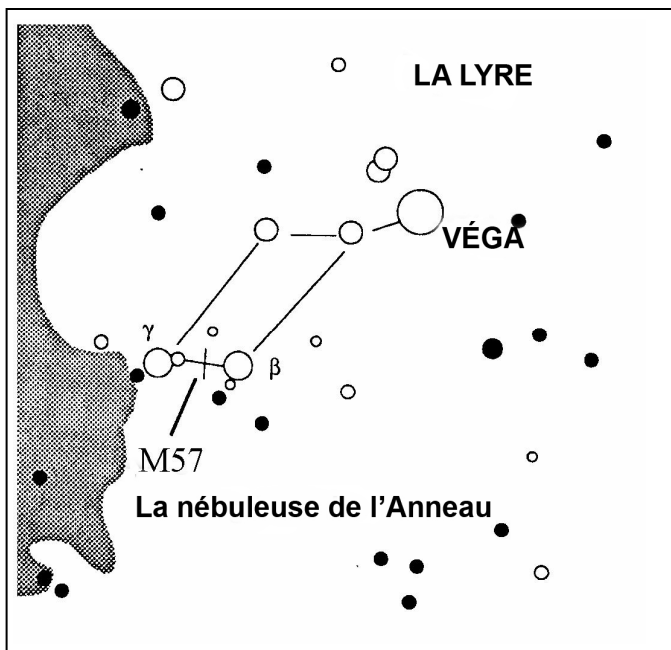


Figure 5-2

Conditions de visibilité

Les conditions de visibilité affectent ce que vous voyez dans le télescope pendant une séance d'observation. Les conditions suivantes affectent l'observation : transparence, luminosité du ciel et visibilité. La compréhension des conditions d'observation et de leurs effets sur l'observation vous permettra de tirer le meilleur parti de votre télescope.

Transparence

La transparence se définit par la clarté atmosphérique et la manière dont elle est affectée par les nuages, l'humidité et les particules aéroportées. Les cumulus épais sont complètement opaques, alors que les cirrus peuvent être fins et laisser passer la lumière des étoiles les plus brillantes. Les ciels voilés absorbent davantage la lumière que les ciels dégagés, ce qui rend les astres peu lumineux plus difficiles à voir et réduit le contraste des astres les plus brillants. Les aérosols éjectés dans l'atmosphère supérieure par les éruptions volcaniques affectent également la transparence. L'idéal est un ciel nocturne noir comme l'encre.

Luminosité du ciel

La luminosité générale du ciel, due à la Lune, aux aurores, à la luminance naturelle du ciel et à la pollution lumineuse affecte grandement la transparence. Tandis que ces phénomènes n'affectent pas la visibilité des étoiles et planètes les plus brillantes, les ciels lumineux réduisent le contraste des nébuleuses étendues qui deviennent difficiles, sinon impossibles à distinguer. Pour optimiser vos observations, limitez vos séances d'astronomie au ciel profond des nuits sans Lune, loin des ciels pollués par la lumière des grands centres urbains. Des filtres de réduction de la pollution lumineuse (filtres RPL) améliorent la vision du ciel profond dans les régions polluées par la lumière en atténuant la clarté indésirable tout en transmettant la luminosité de certains objets du ciel profond. Vous pouvez par ailleurs observer les planètes et étoiles à partir de régions polluées par la lumière ou encore lorsque la Lune est visible.

Visibilité

Les conditions de visibilité ont trait à la stabilité de l'atmosphère et affectent directement la quantité de menus détails des objets étendus observés. L'air de notre atmosphère agit comme une lentille qui courbe et déforme les rayons lumineux incidents. L'inclinaison de la courbure dépend de la densité de l'air. La densité des différentes couches de températures varie tout en affectant la courbure des rayons lumineux. Les rayons lumineux émanant d'un même objet arrivent avec un léger décalage, créant une image imparfaite ou maculée. Ces perturbations atmosphériques varient en fonction du temps et de la position. C'est la taille des particules aériennes par rapport à l'ouverture que vous possédez qui permet de déterminer la qualité de la visibilité. Lorsque la visibilité est bonne, on aperçoit les menus détails des planètes brillantes telles que Jupiter et Mars, tandis que les étoiles apparaissent en images ponctuelles. Lorsque la visibilité est mauvaise, les images sont floues tandis que les étoiles ressemblent à des taches miroitantes.

Les conditions décrites ici même s'appliquent à l'observation visuelle et photographique.



Figure 5-3

Conditions de visibilité affectant directement la qualité de l'image. Ces dessins représentent une source de points (autrement dit une étoile) dans des conditions de visibilité variant de médiocres (gauche) à excellentes (droite). Le plus souvent, les conditions de visibilité produisent des images situées entre ces deux extrêmes.



Astrographie

La série de télescopes PowerSeeker a été conçue pour l'observation visuelle. Après avoir observé le ciel nocturne pendant quelque temps, vous aurez sans doute envie de le photographier. Il existe quelques formes simples de photographie réalisables avec votre télescope 60AZ, 70AZ et 76AZ pour les poursuites célestes aussi bien que terrestres, même si la photographie céleste donne de meilleurs résultats avec une monture équatoriale ou une monture altazimutale informatisée. Vous trouverez ci-dessous une brève explication des différentes méthodes de photographie disponibles et nous vous suggérons de consulter des ouvrages traitant de ce sujet pour obtenir des informations détaillées.

Vous devez posséder, au minimum, un appareil photo numérique ou un SLR de 35 mm. Installez votre appareil photo sur le télescope avec :

- Appareil photo numérique – vous devrez utiliser l'adaptateur universel pour appareil photo numérique (Réf. 93626). L'adaptateur permet à l'appareil photo d'être installé de manière rigide pour l'astrographie terrestre de même qu'avec un foyer primaire.
- Appareil photo SLR 35mm – vous devrez retirer votre objectif de l'appareil photo et fixer une bague en T adaptée à la marque de votre appareil. Il vous faudra ensuite un adaptateur en T (Réf. 93625) pour fixer l'une des extrémités de la bague en T dessus et l'autre sur le tube de mise au point du télescope. L'objectif de l'appareil photo est maintenant transformé en télescope.

Photographie au foyer primaire et courte exposition

La photographie au foyer primaire et courte exposition est le meilleur moyen de débiter l'imagerie d'objets célestes. Pour cela, il suffit d'installer votre appareil photo sur le télescope comme expliqué au paragraphe ci-dessus. Quelques observations à garder à l'esprit :

- Vous pouvez saisir une image de la Lune de même que des planètes brillantes avec des expositions très courtes. Il vous faudra expérimenter avec plusieurs réglages et durées d'exposition. Vous pouvez obtenir de plus amples informations avec le mode d'emploi de votre appareil photo pour compléter les renseignements obtenus dans des ouvrages détaillés sur le sujet.
- Faites vos photographies à partir d'un site d'observation céleste sombre si possible.
- N'oubliez pas qu'il s'agit de photographie très simple. Pour faire de l'astrographie plus détaillée et plus complexe, il vous faut une monture équatoriale ou une monture altazimutale informatisée.

Photographie planétaire et lunaire avec imageurs spéciaux

Une technologie récente a évolué, permettant de prendre relativement facilement de superbes images des planètes et de la Lune, avec des résultats surprenants. Celestron a créé le NexImage (Réf. 93712), un appareil photo spécialisé comprenant un logiciel de traitement d'images. Dès votre première nuit d'observation, vous pouvez capturer des images planétaires qui rivalisent avec ce que faisaient les professionnels équipés de gros télescopes il y a seulement quelques années.

Imagerie CCD pour les objets du ciel profond

Des appareils photos spéciaux ont été mis au point pour photographier le ciel profond. Ces articles ont évolué au cours des dernières années et sont devenus beaucoup plus économiques, permettant ainsi aux amateurs de réaliser des photos sensationnelles. Il existe en outre plusieurs ouvrages expliquant comment obtenir les meilleures photos possibles. La technologie continue à évoluer en mettant sur le marché des produits de plus en plus performants et simples à utiliser.

Photographie terrestre

Votre télescope constitue un excellent téléobjectif pour la photographie terrestre. Vous pouvez immortaliser ainsi des panoramas variés, la faune et la flore et quasiment tout ce qui vous intéresse. Il vous faudra expérimenter avec la mise au point, les vitesses, etc., pour parvenir à la meilleure image souhaitée. Vous pouvez adapter votre appareil photo en suivant les instructions indiquées en haut de cette page.

CELESTRON **Entretien du télescope**

Bien que votre télescope n'exige qu'un entretien minimum, certaines précautions sont nécessaires pour garantir le fonctionnement optimum de cet instrument.

Entretien et nettoyage des éléments optiques

Il est possible que des traces de poussière et/ou d'humidité s'accumulent de temps à autre sur l'objectif ou le miroir primaire, selon le type de télescope que vous possédez. Veillez à prendre les précautions qui s'imposent lors du nettoyage de l'instrument de manière à ne pas endommager les éléments optiques.

Si vous remarquez la présence de poussière sur l'objectif, vous pouvez l'éliminer avec une brosse (en poils de chameau) ou encore avec une cannette d'air pressurisé. Vaporisez pendant deux à quatre secondes en inclinant la cannette par rapport à la surface du verre. Utilisez ensuite une solution de nettoyage optique et un mouchoir en papier blanc pour retirer toute trace de résidu. Versez une petite quantité de solution sur le mouchoir, puis frottez les éléments optiques. Effectuez des mouvements légers, en partant du centre de l'objectif (ou du miroir) et en allant vers l'extérieur. **NE PAS effectuer de mouvements circulaires en frottant !**

Vous pouvez utiliser un nettoyeur pour objectifs du commerce ou encore fabriquer votre propre produit. Il est possible d'obtenir une solution de nettoyage tout à fait adaptée avec de l'alcool isopropylique et de l'eau distillée. Cette solution doit être composée de 60 % d'alcool isopropylique et 40 % d'eau distillée. Vous pouvez également utiliser du produit à vaisselle dilué dans de l'eau (quelques gouttes par litre d'eau).

Il est possible parfois que de la rosée s'accumule sur les éléments optiques de votre télescope pendant une séance d'observation. Si vous voulez poursuivre l'observation, il est nécessaire d'éliminer la rosée, soit à l'aide d'un sèche-cheveux (réglage le plus faible) ou en dirigeant le télescope vers le sol jusqu'à évaporation de la rosée.

En cas de condensation d'humidité à l'intérieur des éléments optiques, retirez les accessoires du télescope. Placez le télescope dans un environnement non poussiéreux et pointez-le vers le bas. Ceci permettra d'éliminer l'humidité du tube du télescope.

Pour éviter d'avoir à nettoyer votre télescope trop souvent, n'oubliez pas de remettre les caches sur toutes les lentilles après utilisation. Étant donné que les cellules ne sont PAS hermétiques, les caches doivent être replacés sur les ouvertures lorsque l'instrument n'est pas utilisé. Ceci permet de limiter l'infiltration du tube optique par tout type de contaminant.

Les réglages et nettoyages internes doivent être confiés impérativement au service après-vente de Celestron. Si votre télescope nécessite un nettoyage interne, veuillez contacter l'usine pour obtenir un numéro de réexpédition et un devis.

Collimation d'un télescope newtonien

La performance optique de la plupart des télescopes réflecteurs newtoniens peut être optimisée par une nouvelle collimation (alignement) des éléments optiques du télescope, en fonction des besoins. Pour collimer le télescope, il suffit simplement d'équilibrer ses éléments optiques. Une mauvaise collimation donnera des aberrations et distorsions optiques.

Avant de collimer votre télescope, prenez le temps de vous familiariser avec tous ses composants. Le miroir primaire est le gros miroir situé à l'extrémité arrière du tube du télescope. Ce miroir se règle en desserrant et resserrant les trois vis, espacées de 120 degrés chacune, situées à l'extrémité du tube du télescope. Le miroir secondaire (le petit miroir en ellipse placé sous le dispositif de mise au point, à l'avant du tube) possède également trois vis de réglage (il vous faudra certains outils en option (décrits ci-dessous) pour procéder à la collimation. Pour déterminer si votre télescope a besoin d'une collimation, pointez-le d'abord vers un mur brillant ou dehors, sur un ciel bleu.

Alignement du miroir secondaire

La procédure ci-dessous décrit la collimation de jour de votre télescope à l'aide de l'outil de collimation newtonien (Réf. 94183) offert par Celestron. Pour collimer le télescope sans l'outil de collimation, lisez le chapitre suivant sur la collimation nocturne sur des étoiles. Pour une collimation très précise, vous disposez de l'oculaire de collimation en option de 1 ¼ po (Réf. 94182) qui vous est proposé en option.

Si un oculaire est installé sur le dispositif de mise au point, retirez-le. Introduisez le tube du dispositif de mise au point complètement, en utilisant les molettes de mise au point, jusqu'à ce que le tube argenté cesse d'être visible. Vous regarderez dans le dispositif de mise au point le reflet du miroir secondaire projeté par le miroir primaire. Au cours de cette étape, ignorez le reflet du contour du miroir primaire. Insérez le bouchon de collimation dans le dispositif de mise au point et regardez à travers. Avec le dispositif de mise au point retiré jusqu'en bout de course, vous devriez voir la totalité du miroir primaire se réfléchissant sur le miroir secondaire. Si le miroir primaire n'est pas centré sur le miroir secondaire, réglez les vis du miroir secondaire en les desserrant et en les resserrant alternativement jusqu'à ce que la périphérie du miroir primaire soit centrée sur votre champ de vision. **NE PAS desserrer ou resserrer la vis centrale du support du miroir secondaire car elle est destinée à maintenir ce miroir dans la bonne position.**

Alignement du miroir primaire

Vous devez ensuite régler les vis du miroir primaire pour centrer à nouveau le reflet du petit miroir secondaire, afin que le contour du miroir se détache sur le miroir primaire. Lorsque vous regardez dans le dispositif de mise au point, les contours des miroirs doivent avoir un aspect concentrique. Reprenez les étapes un et deux jusqu'à parvenir à ce résultat.

Retirez le bouchon de collimation et regardez dans le dispositif de mise au point, où vous devriez voir votre œil se réfléchir dans le miroir secondaire.

Retirez le bouchon de collimation et regardez dans le dispositif de mise au point, où vous devriez voir votre œil se réfléchir dans le miroir secondaire.

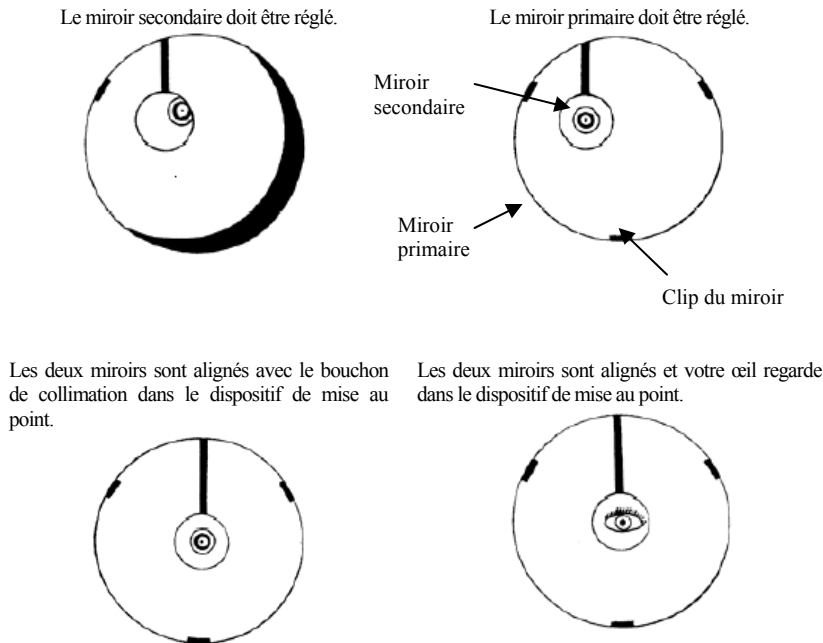


Figure 7-1 PowerSeeker 76AZ

Collimation de nuit sur des étoiles

Après avoir effectué avec succès la collimation de jour, la collimation de nuit sur des étoiles peut s'effectuer en réglant précisément le miroir primaire pendant que le tube du télescope est placé sur sa monture et pointé sur une étoile brillante. Le télescope devrait être réglé pour une observation de nuit et l'image de l'étoile devrait être étudiée à une puissance de grossissement variant de moyenne à élevée (grossissement de 30 à 60 par pouce d'ouverture). Si un modèle de mise au point non symétrique apparaît, il peut être possible de rectifier ce phénomène en effectuant à nouveau la collimation du miroir primaire uniquement.

Procédure (Veuillez lire ces instructions intégralement avant de commencer) :

Pour collimer une étoile de l'hémisphère nord, pointez l'instrument sur une étoile fixe telle que l'étoile Polaire. Vous trouverez cette étoile au nord dans le ciel, à une distance au-dessus de l'horizon équivalente à votre latitude. Il s'agit également de la dernière étoile du manche de la 'petite casserole' ou Petite Ourse. L'étoile Polaire n'est pas l'étoile la plus lumineuse du ciel et elle peut parfois être assez pâle, selon les conditions atmosphériques. Dans l'hémisphère Sud, pointez sur Sigma Octantis.

Avant de recommencer la collimation du miroir primaire, repérez les vis de collimation situées à l'arrière du tube du télescope. La cellule arrière (illustrée en Figure 7-1) possède trois grosses vis moletées qui servent à la collimation et trois petites vis moletées permettant de verrouiller le miroir en position. Les vis de collimation servent à incliner le miroir primaire. Il faut commencer par desserrer les petites vis moletées de quelques tours chacune. Normalement, $\frac{1}{8}$ de tour suffira, et le maximum requis pour les grosses vis de collimation n'ira pas au-delà de $\frac{1}{2}$ à $\frac{3}{4}$ de tour. Dévissez chaque vis de collimation une par une et, à l'aide de l'outil de collimation ou de l'oculaire, examinez comment la collimation est affectée (voir le paragraphe ci-dessous). Il peut être nécessaire d'effectuer plusieurs essais, mais vous parviendrez éventuellement à l'alignement souhaité.

Il est préférable d'utiliser l'outil de collimation en option ou un oculaire collimateur. Regardez dans le dispositif de mise au point et vérifiez si le reflet du miroir secondaire s'est rapproché du centre du miroir primaire.

Après avoir centré l'étoile Polaire ou une étoile brillante dans le champ de vision, faites la mise au point avec l'oculaire standard ou votre oculaire le plus puissant, c'est-à-dire celui qui a la plus petite distance focale, soit 6 mm ou 4 mm par exemple. L'autre option consiste à utiliser un oculaire de distance focale plus importante avec une lentille de Barlow. Lorsque l'étoile est nette, elle devrait avoir l'aspect d'un point lumineux très précis. Si, lors de la mise au point sur l'étoile, elle apparaît de forme irrégulière ou avec un halo lumineux sur les bords, cela signifie que vos miroirs sont mal alignés. Si vous remarquez l'existence d'un halo lumineux sur l'étoile qui ne se déplace pas et reste stable, lorsque vous effectuez votre mise au point, une nouvelle collimation permettra alors d'obtenir une image nette.

Lorsque vous êtes satisfait de votre collimation, resserrez les petites vis de blocage.

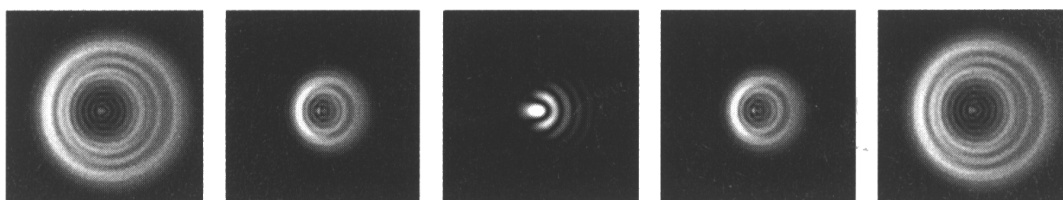


Figure 7-2

Bien que les dessins de l'étoile semblent identiques des deux côtés de la mise au point, ils sont asymétriques. L'obscurcissement est dévié du côté gauche du dessin de la diffraction, indiquant par là une mauvaise collimation.

Notez dans quel sens la lumière semble augmenter. Par exemple, si le halo semble survenir sur la position trois heures du champ de vision, vous devez alors déplacer la vis ou le jeu de vis de collimation nécessaires pour déplacer l'image de l'étoile en direction du halo. Dans cet exemple, le but est d'amener l'image de l'étoile dans votre oculaire, en réglant les vis de collimation, en direction de la position trois heures du champ de vision. Le réglage d'une seule vis peut suffire à déplacer suffisamment l'image de l'étoile du centre du champ de vision à mi-chemin environ, ou moins, vers le bord du champ (lorsque l'on utilise un oculaire à fort grossissement).

Les réglages de la collimation donnent de meilleurs résultats lorsque l'on observe la position de l'étoile dans le champ de vision en tournant simultanément les vis de réglage. De cette façon, il est possible de voir exactement dans quel sens a lieu le mouvement. Il peut être utile d'effectuer cette procédure à deux : une personne qui observe et indique quelles vis tourner et de combien, pendant que l'autre procède aux réglages.

IMPORTANT : Après avoir effectué le premier réglage, ou chaque réglage, il est nécessaire de réorienter le tube du télescope pour ramener l'étoile au centre du champ de vision. On peut estimer la symétrie de l'image de l'étoile en s'éloignant ou en se rapprochant d'une mise au point précise et en notant le dessin de l'étoile. Si des réglages adéquats sont effectués, on devrait constater une amélioration. Étant donné qu'il existe trois vis, il peut être nécessaire d'en régler au moins deux pour parvenir au mouvement nécessaire du miroir.

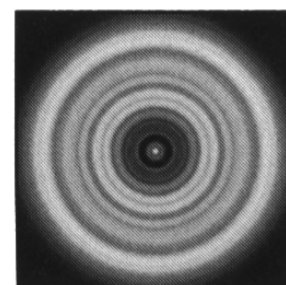


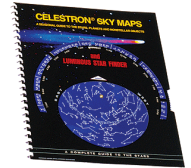
Figure 7-3

Un télescope collimaté devrait avoir l'allure d'un dessin d'anneaux symétriques similaire au disque de diffraction observé ici.

CELESTRON Accessoires en option

Vous trouverez des accessoires supplémentaires pour votre télescope PowerSeeker qui amélioreront la qualité de vos observations tout en augmentant l'utilité de votre télescope. Vous trouverez ci-dessous une liste d'accessoires variés accompagnée d'une brève description. Visitez le site web de Celestron ou consultez le Catalogue d'accessoires Celestron pour obtenir des descriptions détaillées et vous renseigner sur tous les accessoires disponibles.

Cartes du ciel (Réf. 93722) – Les cartes du ciel Celestron constituent le guide d'apprentissage idéal du ciel nocturne. Même dans le cas où vous connaîtriez déjà la plupart des constellations, ces cartes aident à localiser de nombreux astres fascinants.



Oculaires Omni Plossl – Pour 60AZ, 70AZ et 76AZ uniquement. De prix économique, ces oculaires permettent des observations d'une netteté irréprochable sur la totalité du champ de vision. Ces oculaires ont un montage de lentille à 4 éléments et possèdent les distances focales suivantes : 4 mm, 6 mm, 9 mm, 12,5 mm, 15 mm, 20 mm, 25 mm, 32 mm et 40 mm – tous avec des barillets de 1,25 po (31 mm).

Lentille de Barlow Omni (Réf. 93326) – Utilisée avec n'importe quel oculaire du 60AZ, 70AZ et 76AZ, elle en double le grossissement. Une lentille de Barlow est une lentille négative qui augmente la distance focale d'un télescope. L'Omni 2x est un barillet de 1,25 po (31 mm), de moins de 3 po (76 mm) de long et ne pesant que 113 g (4 oz).

Filtre lunaire (Réf. 94119-A) – Le filtre lunaire est un filtre d'oculaire économique de 31 mm (1,25 po) qui réduit la luminosité de la Lune et améliore le contraste, permettant ainsi d'observer un plus grand nombre de détails sur la surface de la Lune.



Filtre UHC/RPL de réduction de la pollution lumineuse 31 mm (1,25 po) (Réf. 94123) – Ce filtre est conçu pour améliorer l'observation des objets astronomiques du ciel profond à partir d'une zone urbaine. Le filtre réduit de manière sélective la transmission de certaines longueurs d'ondes lumineuses, en particulier celles produites par la lumière artificielle. Pour modèles 60AZ, 70AZ et 76AZ uniquement.

Lampe torche de nuit – (Réf. 93588) – Cette lampe torche Celestron comportant deux diodes LED rouges permet une meilleure préservation de la vision nocturne que les filtres rouges ou autres systèmes. Luminosité réglable. Fonctionne avec une seule pile de 9 volts incluse.

Outil de collimation (Réf. 94183) – La collimation de votre télescope newtonien s'effectuera aisément avec cet accessoire pratique accompagné d'instructions détaillées.

Oculaire collimateur – 1,25 po (31 mm) (Réf. 94182) – L'oculaire collimateur est idéal pour une collimation précise des télescopes newtoniens.

Adaptateur d'appareil photo numérique – Universel (Réf. 93626) – Une plate-forme de fixation universelle qui vous permet de faire de la photographie afocale (photographie via l'oculaire d'un télescope) en vous servant de votre appareil photo numérique.



Adaptateur en T– Universel 31 mm (1,25 po) (Réf. 93625) – Cet adaptateur est prévu pour le dispositif de mise au point de 31 mm (1,25 po) de votre télescope 60AZ, 70AZ et 76AZ. Il vous permet de fixer votre appareil photo SLR de 35 mm pour la photographie terrestre de même que la photographie lunaire et planétaire.

| Spécifications du PowerSeeker | 21039 | 21041 | 21036 | 21044 |
|---|------------------------------------|---|---|--|
| | PS 50AZ | PS 60AZ | PS 70AZ | PS 76AZ |
| Conception optique | Lunette | Lunette | Lunette | Newtonien |
| Ouverture | 50 mm (2,0 po) | 60 mm (2,4 po) | 70 mm (2,8 po) | 76 mm (3,0 po) |
| Distance focale | 600 mm | 700 mm | 700 mm | 700 mm |
| Rapport focal | f/12 | f/12 | f/10 | f/9 |
| Revêtements optiques | Revêtement intégral | Revêtement intégral | Revêtement intégral | Revêtement intégral |
| Chercheur | 5x24 | 5x24 | 5x24 | 5x24 |
| Redresseur à 90° | Prisme diagonal 24 mm (0,96 po) | Redresseur d'images 31 mm (1,25 po) | Redresseur d'images 31 mm (1,25 po) | s.o. |
| Oculaires | 20 mm 0,96 po (24 mm) (30x) | 20 mm 1,25 po (31 mm) (35x) | 20 mm 1,25 po (31 mm) (35x) | Redresseur d'image 20 mm 1,25 po (31 mm) (35x) |
| | 12 mm 0,96 po (24 mm) (50x) | s.o. | s.o. | s.o. |
| | 4 mm 0,96 po (24 mm) (150x) | 4 mm 1,25 po (31 mm) (175x) | 4 mm 1,25 po (31 mm) (175x) | 4 mm 1,25 po (31 mm) (175x) |
| Champ de vision angulaire apparent -- 20 mm à 50° -- 10 mm à 40° | | | | |
| Lentille de Barlow - 3x | 0,96 po (24 mm) | 1,25 po (31 mm) | 1,25 po (31 mm) | 1,25 po (31 mm) |
| | Avec 20 mm (90x) | Avec 20 mm (105x) | Avec 20 mm (105x) | Avec 20 mm (105x) |
| | Avec 12 mm (105x) | s.o. | s.o. | s.o. |
| | Avec 4 mm (450x) | Avec 4 mm (525x) | Avec 4 mm (525x) | Avec 4 mm (525x) |
| Champ de vision angulaire avec oculaire standard 20 mm | 1,7° | 1,4° | 1,4° | 1,4° |
| Champ de vision angulaire linéaire avec oculaire 20 mm – pi/1000 verges | 89 | 74 | 74 | 74 |
| Monture | Altazimutale | Altazimutale | Altazimutale | Altazimutale |
| Bouton de blocage de l'altitude | oui | oui | oui | oui |
| Manette de verrouillage de l'azimut | non | oui | oui | oui |
| CD-ROM « The SkyX » | oui | oui | oui | oui |
| Grossissement maximum utile | 120x | 142x | 165x | 180x |
| Magnitude limite stellaire | 11,1 | 11,4 | 11,7 | 11,9 |
| Résolution -- Raleigh (secondes d'arc) | 2,66 | 2,31 | 1,98 | 1,82 |
| Résolution -- Limite Dawes " " | 2,28 | 1,93 | 1,66 | 1,53 |
| Puissance de captage de la lumière | 51x | 73x | 100x | 118x |
| Longueur du tube optique | 56 cm (22 po) | 71 cm (28 po) | 76 cm (30 po) | 66 cm (26 po) |
| Poids du télescope | 0,7 kg (1,5 pd) | 0,9 kg (2 pd) | 2,7 kg (6 pd) | 3,9 kg (8,5 pd) |
| Remarque : Les spécifications sont sujettes à des changements sans notification ou obligation. | | | | |



Telescopi serie PowerSeeker® **MANUALE DI ISTRUZIONI**

- ***PowerSeeker 50AZ # 21039***
- ***PowerSeeker 60AZ # 21041***
- ***PowerSeeker 70AZ # 21036***
- ***PowerSeeker 76AZ # 21044***

Indice analitico

| | |
|--|----|
| INTRODUZIONE | 3 |
| ASSEMBLAGGIO | 6 |
| Approntamento del treppiedi | 6 |
| Collegamento del tubo del telescopio alla montatura | 7 |
| Spostamento manuale del telescopio | 8 |
| Installazione del diagonale e dell'oculare (telescopio rifrattore) – 60AZ | 8 |
| Installazione del diagonale e dell'oculare (telescopio rifrattore) – 50AZ | 8 |
| Installazione dell'oculare sul telescopio di Newton | 9 |
| Installazione e uso della lente di Barlow | 9 |
| Installazione e uso dell'oculare raddrizzatore da 1,5x – 50AZ | 9 |
| Installazione del cannocchiale cercatore | 10 |
| Allineamento del cannocchiale cercatore | 10 |
| NOZIONI BASILARI SUL TELESCOPIO | 11 |
| Orientamento dell'immagine | 12 |
| Messa a fuoco | 12 |
| Calcolo dell'ingrandimento | 12 |
| Determinazione del campo visivo | 13 |
| Suggerimenti generali per l'osservazione | 13 |
| NOZIONI DI BASE SUL TELESCOPIO | 14 |
| Il sistema di coordinate celesti | 14 |
| Movimento delle stelle | 15 |
| OSSERVAZIONI CELESTI | 16 |
| Osservazione della luna | 16 |
| Osservazione dei pianeti | 16 |
| Osservazione del sole | 16 |
| Osservazione di oggetti del cielo profondo | 17 |
| Condizioni di visibilità | 19 |
| ASTROFOTOGRAFIA | 20 |
| Fotografia a fuoco primario con a breve tempo di esposizione | 20 |
| Fotografia planetaria e lunare con speciali dispositivi per la creazione di immagini | 20 |
| Creazione di immagini CCD per oggetti del cielo profondo | 20 |
| Fotografia terrestre | 20 |
| MANUTENZIONE DEL TELESCOPIO | 21 |
| Cura e pulizia dell'ottica | 21 |
| Collimazione di un telescopio di Newton | 21 |
| ACCESSORI OPZIONALI | 24 |
| DATI TECNICI DEL POWERSEEKER | 25 |

Congratulazioni per il vostro acquisto di un telescopio PowerSeeker. La serie di telescopi PowerSeeker presenta svariati modelli diversi. Questo manuale riguarda quattro modelli con montature altazimutali (quella altazimutale è la montatura più semplice, con movimenti in elevazione o verticale e in azimut o laterale): un telescopio rifrattore da 50 mm, uno da 60 mm ed uno da 70 mm, e un telescopio di Newton da 76 mm. I telescopi della serie PowerSeeker sono realizzati con materiali della più alta qualità per assicurarne la stabilità e la durata e vi consentiranno di divertirvi per tutta la loro durata utile con una manutenzione minima.

Questi telescopi sono stati concepiti per chi acquista un telescopio per la prima volta, ed offrono un valore eccezionale. La serie PowerSeeker un design piccolo e portatile, ma le sue ampie prestazioni ottiche faranno appassionare qualsiasi nuovo utente al mondo dell'astronomia per dilettanti. Inoltre, il telescopio PowerSeeker è ideale per le osservazioni terrestri, che risulteranno godibilissime per gli utenti grazie alle alte potenze della sua ottica.

I telescopi PowerSeeker sono coperti da una **garanzia limitata di due anni**. Per i dettagli, consultate il nostro sito Web all'indirizzo www.celestron.com

Ecco alcune delle tante funzioni standard del PowerSeeker.

- Tutti gli elementi ottici in vetro sono rivestiti, per offrire immagini chiare e nitide.
- Montatura rigida altazimutale a funzionamento fluido che permette di puntare facilmente il telescopio sugli oggetti individuati.
- Treppiedi in alluminio preassemblato che garantisce una piattaforma stabile.
- Approntamento rapido e facile che non richiede l'uso di attrezzi.
- CD-ROM "The SkyX" (Il cielo) – software astronomico che offre all'utente informazioni sul cielo e mappe stellari stampabili.
- Tutti i modelli possono essere usati per osservazioni sia terrestri che astronomiche con gli accessori standard in dotazione.

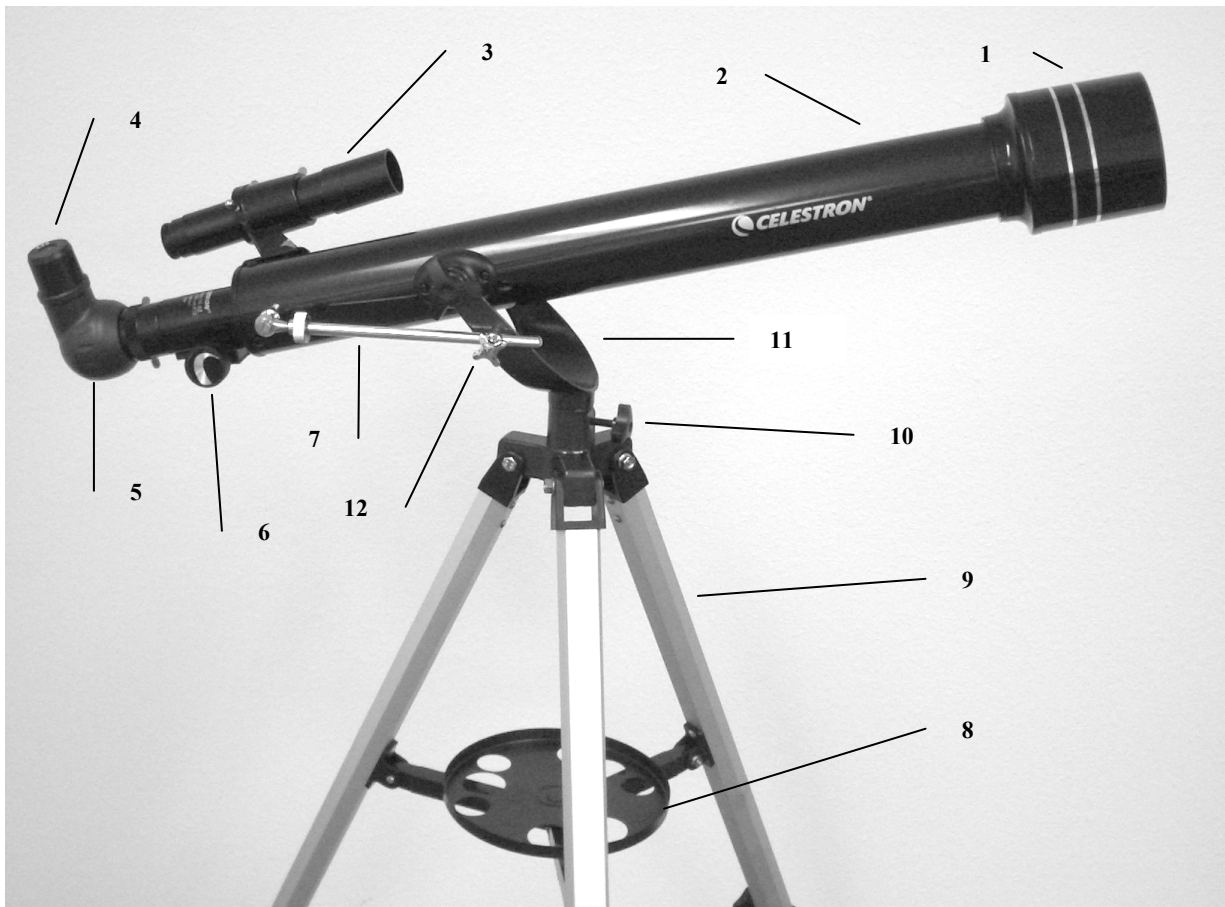
Prima di iniziare il vostro viaggio attraverso l'universo, leggete attentamente questo manuale. Potrebbero essere necessarie alcune sedute di osservazione per acquisire dimestichezza con il telescopio: vi consigliamo quindi di tenere a portata di mano questo manuale fino a quando non sarete diventati esperti nel funzionamento del vostro dispositivo. Il manuale offre informazioni dettagliate su ogni procedimento, oltre ad importanti materiali di riferimento e suggerimenti utili che renderanno la vostra esperienza di osservazione il più semplice e godibile possibile.

Il telescopio è stato concepito per offrirvi anni di osservazioni divertenti e gratificanti. Prima di usare il telescopio, occorre tuttavia prendere in considerazione alcune avvertenze che assicureranno la vostra sicurezza e proteggeranno l'apparecchiatura.

Avvertenze



- **Non guardate mai direttamente il sole ad occhio nudo né con il telescopio (se non disponete dell'apposito filtro solare), per evitare danni permanenti e irreversibili agli occhi.**
- **Non usate mai il telescopio per proiettare un'immagine del sole su qualsiasi superficie. Un surriscaldamento interno può danneggiare il telescopio e qualsiasi accessorio ad esso collegato.**
- **Non usate mai un filtro solare per oculare né un prisma di Herschel. Il surriscaldamento interno del telescopio può causare l'incrinatura o la rottura di questi dispositivi, permettendo alla luce solare non filtrata di penetrare e raggiungere l'occhio.**
- **Non lasciate mai incustodito il telescopio, sia quando sono presenti bambini che quando sono presenti adulti che potrebbero non conoscere le giuste procedure operative del telescopio.**



**Figura 1-1 Telescopio rifrattore PowerSeeker 60AZ
(PowerSeeker 50AZ e PowerSeeker 70AZ simile)**

| | | | |
|----|----------------------------|-----|---|
| 1. | Lente dell'obiettivo | 7. | Gruppo barraasta per movimento lento verticale (altezza) in elevazione (non sul 50AZ) |
| 2. | Tubo ottico del telescopio | 8. | Vassoio portaccessori |
| 3. | Cannocchiale cercatore | 9. | Treppiedi |
| 4. | Oculare | 10. | Blocco di azimut (non sul 50AZ) |
| 5. | Diagonale | 11. | Montatura altazimutale |
| 6. | Manopola di messa a fuoco | 12. | Manopola di bloccaggio dell'altezza |

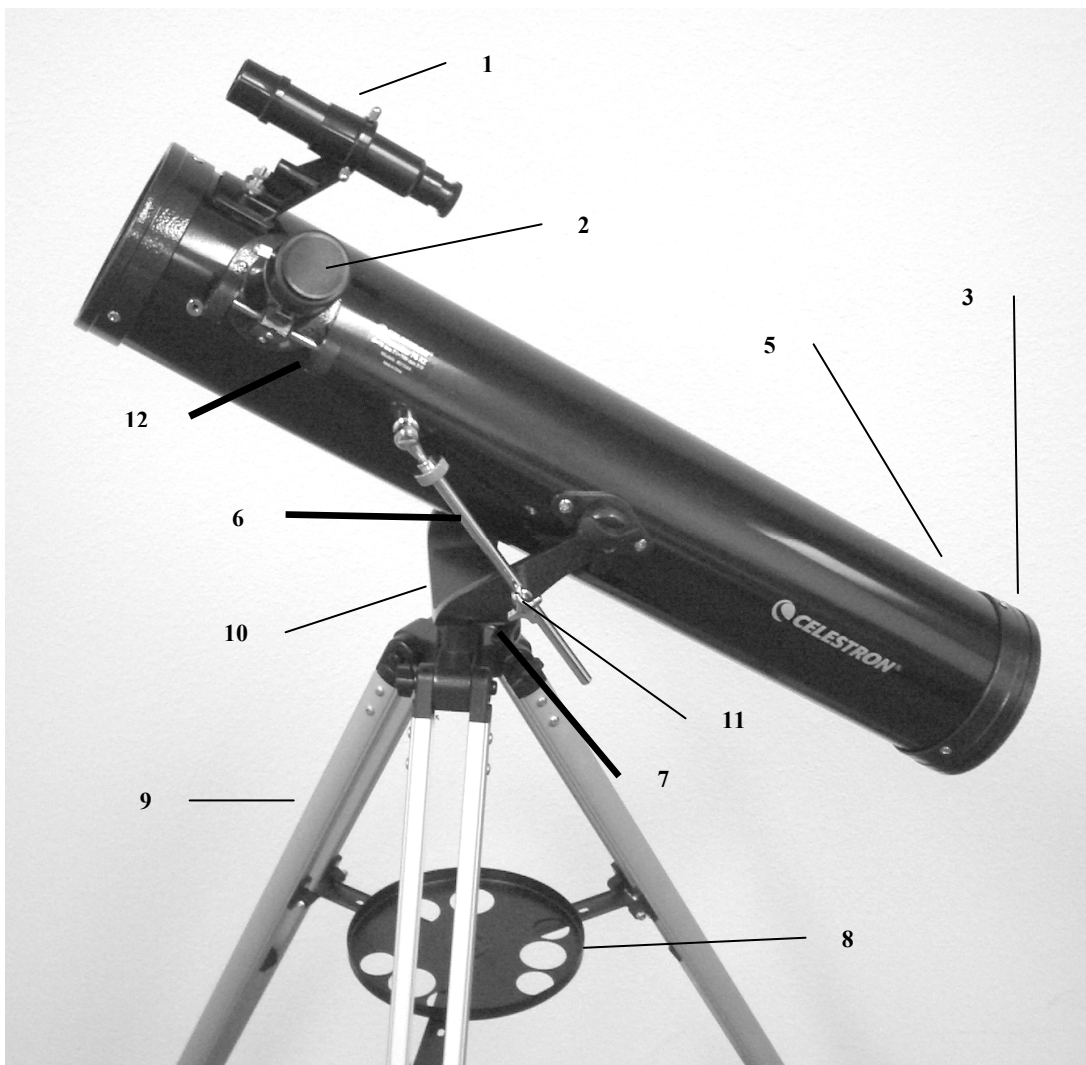


Figura 1-2 Telescopio di Newton PowerSeeker 76AZ

| | | | |
|----|---|-----|---------------------------|
| 1. | Cannocchiale cercatore | 7. | Blocco di azimut |
| 2. | Oculare | 8. | Vassoio portaccessori |
| 3. | Viti di regolazione della collimazione (parte posteriore) | 9. | Treppiedi |
| 4. | Tubo ottico del telescopio | 10. | Montatura altazimutale |
| 5. | Specchio primario | 11. | Blocco dell'altezza |
| 6. | Gruppo barra per movimento lento verticale (altezza) | 12. | Manopola di messa a fuoco |

Questa sezione descrive le istruzioni di assemblaggio del telescopio PowerSeeker. Il telescopio deve essere approntato per la prima volta al chiuso, in modo che sia più facile identificare le sue varie parti e imparare la corretta procedura di assemblaggio prima di avventurarsi all'aperto.

Ogni PowerSeeker viene spedito in una scatola, e le parti contenute nella scatola che sono uguali per tutti i modelli sono: tubo ottico, montatura altazimutale e CD-ROM "The SkyX". Il modello 50AZ include accessori da 0,96 pollici: oculare da 20 mm, oculare da 12 mm, oculare da 4 mm, lente di Barlow con ingrandimento da 3x e oculare raddrizzatore con ingrandimento 1,5x.

I modelli 60AZ, 70AZ e 76AZ includono accessori da 1,25 pollici: oculare da 20 mm (raddrizzatore dell'immagine per il 76AZ), oculare da 4 mm, lente di Barlow da 3x, diagonale raddrizzatore dell'immagine per il 60AZ.

Approntamento del treppiedi

1. Estrarre il treppiedi dalla scatola (Figura 2-1). Il treppiedi è già preassemblato, e il suo approntamento è quindi molto facile. Ogni treppiedi è diverso a seconda del modello, ma ha un aspetto simile a quello illustrato nelle foto sotto.
2. Mettere in piedi il treppiedi e allargarne le gambe fino ad estenderle completamente; quindi spingere leggermente verso il basso il supporto delle gambe (Figura 2-2). La parte superiore del treppiedi si chiama testa del treppiedi (montatura AZ).
3. Ora, installare il vassoio portaccessori del treppiedi (Figura 2-3) sul supporto delle gambe del treppiedi (centro della Figura 2-2).
4. Sulla parte inferiore del vassoio portaccessori del treppiedi si trova una vite fissata al centro (eccetto che nel 50AZ). La vite viene fissata ad un foro filettato al centro del supporto delle gambe del treppiedi, girandola in senso orario. Notare: occorre tirare leggermente verso l'alto il supporto delle gambe del treppiedi per facilitare il collegamento. Continuare a girare il vassoio fino a quando non risulta fissato senza serrarlo eccessivamente. Il modello 50AZ è leggermente diverso, in quanto per fissare il vassoio si svita una piccola manopola al suo centro (vedere la Figura 2-3a) e poi si posiziona il vassoio sopra il foro filettato e si serra la manopola.

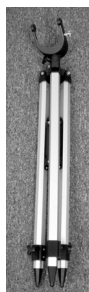


Figura 2-1



Figura 2-2



Figura 2-3



Figura 2-3a

5. Il treppiedi è ora completamente montato (Figura 2-4).
6. Si possono estendere le gambe del treppiedi fino alla lunghezza desiderata. L'altezza più bassa del treppiedi è di circa 69 cm (27 pollici), ma le gambe si possono estendere fino a raggiungere un'altezza di circa 119 cm (47 pollici). Per regolare l'altezza, si allentano le manopole di bloccaggio nella parte inferiore di ciascuna gamba del treppiedi (Figura 2-5) girandole in senso antiorario, e poi si estraggono le gambe fino all'altezza desiderata; quindi si serrano bene le manopole. Un treppiedi esteso completamente ha un aspetto simile a quello mostrato nella Figura 2-6.
7. Il treppiedi risulterà più rigido e stabile alle altezze inferiori.



Figura 2-4

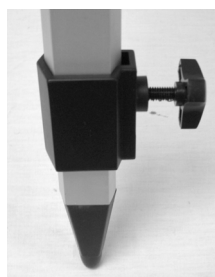


Figura 2-5



Figura 2-6

Collegamento del tubo del telescopio alla montatura

Il tubo ottico del telescopio si collega alla montatura altazimutale con il gruppo barra per movimento lento verticale e con le rispettive manopole (per i modelli 60AZ, 70AZ e 76AZ). Il modello 50AZ si collega direttamente alla testa della montatura altazimutale. Prima di iniziare, rimuovere il cappuccio della lente dell'obiettivo (telescopio rifrattore) o il cappuccio dell'apertura anteriore (telescopio di Newton). Per montare il tubo del telescopio sulla montatura (per i modelli 60AZ, 70AZ e 76AZ), attenersi alla seguente procedura.

- 1 Rimuovere la carta protettiva che copre il tubo ottico.
- 2 Mettere il tubo ottico del telescopio all'interno della montatura a giogo (altazimutale) in modo che il gruppo barra per movimento lento verticale si trovi sullo stesso lato della vite di bloccaggio dell'altezza dell'elevazione (vedere la Figura 1-1). **Si noti che su alcuni telescopi la barra potrebbe essere fissata al tubo ottico del telescopio. Se la barra non è fissata al tubo ottico, rimuovere la vite dal meccanismo (con l'utensile fornito) mostrato all'estrema sinistra nella Figura 2-7 e posizionare la barra come mostrato nella Figura 2-7. Quindi, far passare la vite attraverso il foro nella barra e nel meccanismo, e serrarla.**
- 3 Svitare la manopola di bloccaggio dell'altezza in modo che il foro nel bullone ad occhio risulti libero (vedere la Figura 2-8).
- 4 Far passare la barra del gruppo attraverso il bullone a occhio e poi serrare la manopola di bloccaggio dell'altezza – Figura 2-9.
- 5 Avvitare le due manopole (una su ciascun lato della montatura) attraverso la parte superiore della montatura nei fori filettati presenti nel tubo ottico e serrarle – Figura 2-7.



Figura 2-7



Figura 2-8



Figura 2-9

Per il modello 50AZ, eseguire la seguente procedura.

1. Rimuovere la carta protettiva che copre il tubo ottico.
2. Disporre il tubo ottico del telescopio sulla montatura altazimutale in modo che il foro sulla parte superiore della piattaforma del tubo ottico sia allineato con i fori presenti nella testa della montatura – vedere la Figura 2-11.
3. Inserire la manopola di bloccaggio dell'altezza (vedere la parte centrale della Figura 2-10) attraverso la testa della montatura e la piattaforma del tubo ottico (assicurarsi che il foro sia completamente libero prima di serrare la manopola).



Figura 2-10



Figura 2-11

Spostamento manuale del telescopio

La montatura altazimutale del PowerSeeker è facile da spostare in qualsiasi posizione la si voglia puntare. Per i modelli 60AZ, 70AZ e 76AZ il movimento verticale (altezza) è controllato dalla manopola di bloccaggio dell'altezza (Figura 2-12). Il movimento laterale (azimut) è controllato dal blocco di azimut (Figura 2-12). Quando entrambe le manopole sono allentate è possibile trovare facilmente gli oggetti (attraverso il cannocchiale cercatore); bloccare i comandi una volta individuati gli oggetti.

Per piccole regolazioni dell'altezza, si gira l'anello zigrinato della barra per movimento lento in elevazione (quando il blocco dell'altezza è serrato) in una direzione o nell'altra – vedere la Figura 2-9.



Figura 2-12

Per il modello 50AZ, allentare la manopola di bloccaggio dell'altezza (Figura 2-9) e poi spostare il telescopio sulla località desiderata; una volta raggiunta la località, serrare la manopola di bloccaggio dell'altezza.

Nota: prima di serrare la manopola di bloccaggio dell'altezza, occorre individuare con il cannocchiale cercatore la località che si sta cercando.

Installazione del diagonale e dell'oculare (telescopio rifrattore) – 60AZ e 70AZ

Il diagonale è un prisma che devia la luce ad un angolo retto rispetto al percorso ottico del rifrattore. Questo permette all'utente di eseguire le osservazioni da una posizione più comoda rispetto a quella che occuperebbe se dovesse guardare direttamente attraverso il telescopio. Questo diagonale è un modello raddrizzatore d'immagine che corregge l'immagine in modo che risulti diritta e orientata correttamente da sinistra a destra, facilitando le osservazioni terrestri. Inoltre, il diagonale può essere ruotato in qualsiasi posizione che risulti più comoda per l'utilizzatore. Per installare il diagonale e l'oculare, effettuare le seguenti operazioni.

1. Inserire il piccolo cilindro del diagonale nell'adattatore per oculare da 1,25 pollici del tubo di messa a fuoco sul rifrattore – Figura 2-13. Assicurarsi che le due viti a testa zigrinata sull'adattatore dell'oculare non sporgano nel tubo del focalizzatore prima dell'installazione, e che il coperchio a tappo sia rimosso dall'adattatore dell'oculare.
2. Inserire nel diagonale l'estremità a barilotto cilindro cromato di uno degli oculari e serrare la vite a testa zigrinata. Prima di inserire l'oculare assicurarsi che la vite zigrinata non sporga nel diagonale.
3. Gli oculari possono essere cambiati con altri di lunghezza focale diversa invertendo le istruzioni indicate nel passaggio 2 indicato sopra.



Figura 2-13

Installazione del diagonale e dell'oculare (telescopio rifrattore) – 50AZ



Figura 2-14

Il diagonale per il modello 50AZ si chiama prisma diagonale stellare: in esso il prisma corregge l'immagine in modo da raddrizzarla, ma l'immagine resta tuttavia invertita lateralmente. Il diagonale e gli oculari hanno un diametro di 0,96 pollici. Tutti i passaggi indicati sopra valgono anche per il modello 50AZ.

Installazione dell'oculare sul telescopio di Newton

L'oculare è un elemento ottico che ingrandisce l'immagine focalizzata dal telescopio. Senza l'oculare sarebbe impossibile usare il telescopio visivamente. La lunghezza focale e il diametro del cilindro sono gli elementi di riferimento più comuni dell'oculare. Maggiore è la lunghezza focale (ovvero più alto il suo numero), minore è l'ingrandimento dell'oculare (ovvero la sua potenza). Di solito, l'utilizzatore impiegherà durante le sue osservazioni una potenza da bassa a moderata. Per ulteriori informazioni su come determinare la potenza, consultare la sezione "Calcolo dell'ingrandimento". L'oculare si inserisce perfettamente nel focalizzatore del telescopio di Newton. Per collegare gli oculari, effettuare le seguenti operazioni:

1. Assicurarsi che le viti zigrinate non sporgano nel tubo del focalizzatore. Inserire quindi il barilotto cromato dell'oculare nel tubo del focalizzatore (togliere prima il coperchio a tappo del focalizzatore) e serrare le viti zigrinate – vedere la Figura 2-15.
2. L'oculare da 20 mm si chiama oculare raddrizzatore, perché corregge l'immagine in modo che non risulti capovolta e sia orientata lateralmente in modo corretto. Questo rende il telescopio utile per le visualizzazioni terrestri.
3. Gli oculari possono essere cambiati invertendo la procedura descritta sopra.



Figura 2-15

Installazione e uso della lente di Barlow

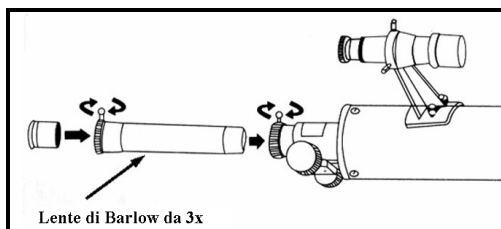


Figura 2-16

Il telescopio è dotato anche di una lente di Barlow da 3x che triplica la potenza di ingrandimento di ciascun oculare. Tuttavia, le immagini molto ingrandite vanno usate solo in condizioni ideali (vedere la sezione "Calcolo dell'ingrandimento" di questo manuale).

Per usare la lente di Barlow con i telescopi rifrattori, rimuovere il diagonale e inserire la lente di Barlow direttamente nel tubo del focalizzatore. Per eseguire la visualizzazione si inserisce quindi un oculare nella lente di Barlow. Si può anche inserire il diagonale nella lente di Barlow e poi usare un oculare nel diagonale, ma così facendo si potrebbe non essere in grado di ottenere la focalizzazione con tutti gli oculari.

Per i telescopi di Newton, inserire la lente di Barlow direttamente nel focalizzatore. Inserire quindi un oculare nella lente di Barlow.

Nota: per facilitare la messa a fuoco, si consiglia di iniziare usando un oculare a bassa potenza.

Installazione e uso dell'oculare raddrizzatore da 1,5x – 50AZ

Il PowerSeeker 50AZ è dotato di un oculare raddrizzatore da 1,5x, usato principalmente per le visualizzazioni terrestri diurne. Questo oculare corregge l'immagine visualizzata nel telescopio in modo che sia diritta invece che capovolta, e sia anche orientata in modo corretto lateralmente. Installare ed usare questo oculare seguendo le stesse procedure indicate nella sezione qui sopra per la lente di Barlow. Non si può usare la lente di Barlow quando si usa questo oculare.

Quando si usa l'oculare raddrizzatore, la potenza ottenuta con i vari oculari è la seguente:

- con 20 mm = 45x
- con 12 mm = 75x
- con 4 mm = 225x

Installazione del cannocchiale cercatore

Per installare il cannocchiale cercatore, procedere nel modo seguente.

1. Individuare il cannocchiale cercatore (sarà montato nella sua staffa) – vedere le Figure 1-1 e 1-2.
2. Togliere le viti zigrinate situate sui perni filettati presenti sul tubo ottico – vedere la Figura 2-17.
3. Montare la staffa del cannocchiale cercatore mettendola sopra i perni che sporgono dal tubo ottico, e poi, tenendola in posizione, avvitare sui dadi zigrinati e serrare i dadi.
4. Notare che il cannocchiale cercatore va orientato in modo che la lente di diametro superiore sia rivolta verso la parte anteriore del tubo ottico.
5. Togliere i cappucci delle lenti da entrambe le estremità del cannocchiale cercatore.



Figura 2-17

Allineamento del cannocchiale cercatore

Per allineare il cannocchiale cercatore, attenersi alla seguente procedura:

1. Di giorno, individuare un oggetto distante e centrarlo con un oculare a bassa potenza (20 mm) nel telescopio principale.
2. Guardare attraverso il cannocchiale cercatore (dalla parte del cannocchiale cercatore con l'oculare) e prendere nota della posizione dello stesso oggetto.
3. Senza spostare il telescopio principale, girare le viti zigrinate di regolazione situate attorno alla staffa del cannocchiale cercatore, fino a quando il mirino del cannocchiale non risulta centrato sull'oggetto scelto con il telescopio principale.

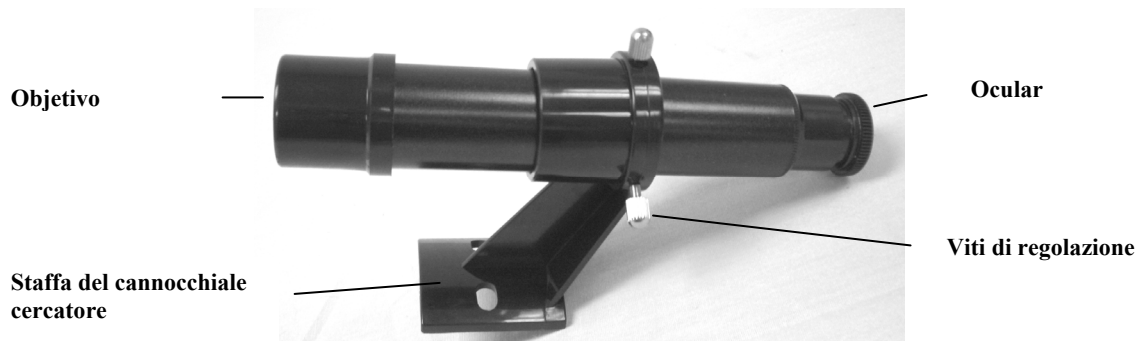
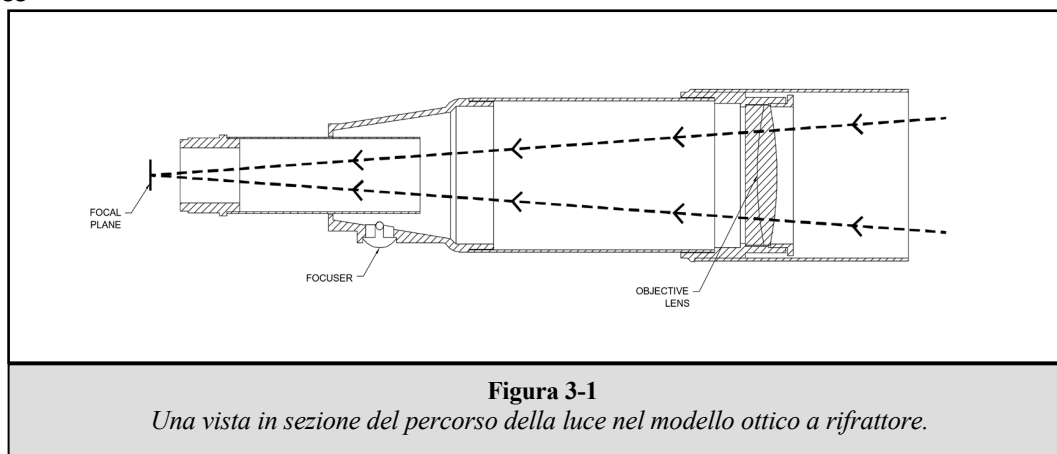


Figura 2-18 Cannocchiale cercatore con staffa

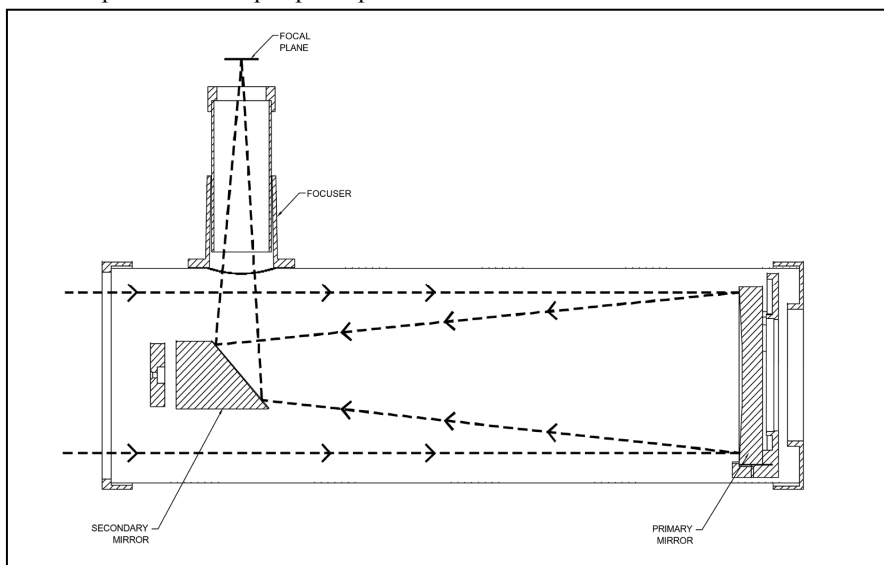
CELESTRON **Nozioni basilari sul telescopio**

Il telescopio è uno strumento che raccoglie e mette a fuoco la luce. La natura del modello ottico usato determina il modo in cui la luce viene focalizzata. Alcuni telescopi, noti come rifrattori, usano lenti; altri, noti come riflettori (di Newton), usano specchi.

Sviluppato agli inizi del 1600, il telescopio **rifrattore** è il modello più antico di telescopio. Il suo nome deriva dal metodo che impiega per mettere a fuoco i raggi di luce in ingresso. Il rifrattore usa una lente per curvare o rifrangere i raggi di luce in entrata: da qui il suo nome (vedere la Figura 3-1). Nei primi modelli venivano usate lenti ad elemento singolo. La lente singola tuttavia agisce come un prisma e scompone la luce nei colori dell'arcobaleno, un fenomeno noto come aberrazione cromatica. Per ovviare a questo problema, fu introdotta una lente a due elementi, nota come lente acromatica. Ciascun elemento ha un indice di rifrazione diverso, e questo permette di focalizzare nello stesso punto due lunghezze d'onda di luce diverse. La maggior parte delle lenti a due elementi, di solito realizzate con vetro Crown e vetro Flint, sono corrette per la luce rossa e verde. La luce azzurra può ancora essere focalizzata in un punto leggermente diverso.



Un telescopio riflettore di **Newton** usa un unico specchio concavo come specchio primario. La luce entra nel tubo viaggiando fino allo specchio situato alla sua estremità posteriore. La luce viene deviata verso avanti nel tubo fino ad un singolo punto, il suo punto focale. Mettendo la testa davanti al telescopio per guardare l'immagine con un oculare si impedirebbe il funzionamento del riflettore; pertanto, uno specchio piatto chiamato *diagonale* intercetta la luce e la riflette verso il lato del tubo, ad angolo retto rispetto ad esso. L'oculare viene posizionato in quel punto per facilitare la visualizzazione.



Il telescopio riflettore di Newton sostituisce degli specchi a spesse lenti, per raccogliere e focalizzare la luce e fornisce un potere di raccolta della luce molto superiore ad un prezzo ragionevole. Poiché il percorso della luce viene intercettato e riflesso verso il lato del telescopio, si possono avere lunghezze focali che arrivano anche a 1000 mm con un telescopio relativamente piccolo e portatile. Un telescopio riflettore di Newton offre caratteristiche straordinarie di raccolta della luce tali da permettere all'utente di interessarsi seriamente all'astronomia del cielo profondo anche spendendo piuttosto poco. I telescopi riflettori di Newton richiedono però maggiori cura e manutenzione, perché il loro specchio primario è esposto all'aria e alla polvere. Tuttavia, questo piccolo inconveniente non pregiudica la popolarità del telescopio presso gli utenti che vogliono un telescopio economico che sia in grado di risolvere oggetti distanti e tenui.

Orientamento dell'immagine

L'orientamento dell'immagine cambia a seconda di come l'oculare viene inserito nel telescopio. Quando si usa un prisma diagonale stellare con telescopi rifrattori, l'immagine non è capovolta, ma è invertita lateralmente (cioè si ottiene un'immagine speculare). Se si inserisce l'oculare direttamente nel focalizzatore del telescopio rifrattore (cioè senza usare il diagonale), l'immagine è sia capovolta che invertita lateralmente. Tuttavia, quando si usa il telescopio rifrattore PowerSeeker e il diagonale raddrizzatore dell'immagine in dotazione standard, l'immagine viene orientata correttamente sotto ogni aspetto.



Figura 3-3

Messa a fuoco

Per mettere a fuoco il telescopio rifrattore o di Newton, basta girare la manopola di messa a fuoco situata subito sotto il porta oculare (vedere le Figure 2-13, 2-14 e 2-15). Ruotando la manopola in senso orario si mette a fuoco un oggetto più lontano di quello che si sta attualmente osservando. Ruotando la manopola in senso antiorario si mette a fuoco un oggetto più vicino di quello che si sta attualmente osservando.

Nota: Se si portano lenti correttive (ovvero gli occhiali da vista), si consiglia di toglierli durante l'osservazione con un oculare collegato al telescopio. Quando invece si usa una fotocamera, occorre indossare sempre le lenti correttive per assicurare la messa a fuoco più nitida possibile. Se si soffre di astigmatismo, le lenti correttive vanno indossate sempre.

Calcolo dell'ingrandimento

Si può modificare la potenza del telescopio cambiando l'oculare. Per determinare la potenza di ingrandimento del telescopio, basta dividere la lunghezza focale del telescopio per la lunghezza focale dell'oculare usato. La formula è la seguente:

$$\text{Ingrandimento} = \frac{\text{Lunghezza focale del telescopio (mm)}}{\text{Lunghezza focale dell'oculare (mm)}}$$

Supponiamo per esempio che si stia usando l'oculare da 20 mm in dotazione al telescopio. Per determinare l'ingrandimento, basta dividere la lunghezza focale del telescopio (il PowerSeeker 60AZ in questo esempio ha una lunghezza focale di 700 mm) per la lunghezza focale dell'oculare, ovvero 20 mm. Dividendo 700 per 20 si ottiene come risultato un ingrandimento di 35x.

Sebbene la potenza sia variabile, ogni strumento che osserva il normale cielo ha un limite al più alto ingrandimento utile. La regola generale per la potenza è 60 volte il numero dei pollici di apertura. Per esempio, il PowerSeeker 60AZ ha un diametro di 2,4 pollici. Moltiplicando 2,4 per 60 si ottiene un ingrandimento utile massimo pari 144. Sebbene questo sia l'ingrandimento utile massimo, la maggior parte delle osservazioni viene eseguita nella gamma di potenza da 20 a 35 per ogni pollice di apertura, che è un ingrandimento da 48x a 84x per il telescopio PowerSeeker 60AZ. Si può determinare l'ingrandimento del proprio telescopio nello stesso modo.

Una nota sull'uso delle alte potenze – Le potenze superiori vengono usate principalmente per le osservazioni lunari e a volte planetarie, dove si può ingrandire molto l'immagine, ma occorre ricordare che il contrasto e la luminosità saranno molto bassi a causa dell'alto ingrandimento. Usando l'oculare da 4 mm con la lente di Barlow da 3x si ottiene una potenza estremamente alta che può essere usata in rare occasioni – si ottiene la potenza ma l'immagine sarà scura, con un basso contrasto, perché è stata ingrandita il più possibile. Per ottenere le immagini più luminose con i più alti livelli di contrasto, usare le potenze inferiori.

Determinazione del campo visivo

La determinazione del campo visivo è importante se si vuole avere un'idea delle dimensioni angolari dell'oggetto che si sta osservando. Per calcolare il campo visivo effettivo, dividere il campo apparente dell'oculare (fornito dal produttore dell'oculare) per l'ingrandimento. La formula è la seguente:

$$\text{Campo angolare reale} = \frac{\text{Campo apparente dell'oculare}}{\text{Ingrandimento}}$$

Come si può vedere, prima di determinare il campo visivo occorre calcolare l'ingrandimento. Usando l'esempio indicato nella sezione precedente, possiamo determinare il campo visivo usando lo stesso oculare da 20 mm in dotazione standard con il telescopio PowerSeeker 60AZ. L'oculare da 20 mm ha un campo visivo apparente di 50°. Dividere 50° per l'ingrandimento, e si ottiene una potenza 35. Questa potenza determina un campo effettivo (reale) di 1,4°.

Per trasformare i gradi in piedi a 914 metri (1.000 iarde), cosa più utile per l'osservazione terrestre, basta moltiplicare per 52,5. Continuando con l'esempio, moltiplicare il campo angolare di 1,4° per 52,5. Il risultato è una larghezza di campo visivo di 22,5 metri (74 piedi) ad una distanza di 914 m (mille iarde).

Suggerimenti generali per l'osservazione

Quando si usa qualsiasi strumento ottico, ci sono alcune cose da ricordare per ottenere la migliore immagine possibile.

- Non guardare mai attraverso il vetro delle finestre. Il vetro delle normali finestre domestiche è otticamente imperfetto, e quindi può variare in spessore da una parte all'altra della stessa finestra. Questa mancanza di omogeneità influisce sulla capacità di focalizzazione del telescopio. Nella maggior parte dei casi non si potrà ottenere un'immagine davvero nitida, e in altri casi si potrebbe addirittura ottenere un'immagine doppia.
- Non guardare mai attraverso o sopra oggetti che producono onde termiche. Tali oggetti includono parcheggi in asfalto d'estate o tetti di edifici.
- Cieli velati, nebbia e foschia possono anch'essi rendere difficile la focalizzazione quando si eseguono osservazioni terrestri. La quantità di dettagli visibili in queste condizioni è decisamente ridotta.
- Se si portano lenti correttive (ovvero gli occhiali da vista), si consiglia di toglierli quando si osserva con un oculare collegato al telescopio. Quando invece si usa una fotocamera, occorre indossare sempre le lenti correttive per garantire la messa a fuoco più nitida possibile. Se si soffre di astigmatismo, le lenti correttive vanno indossate sempre.

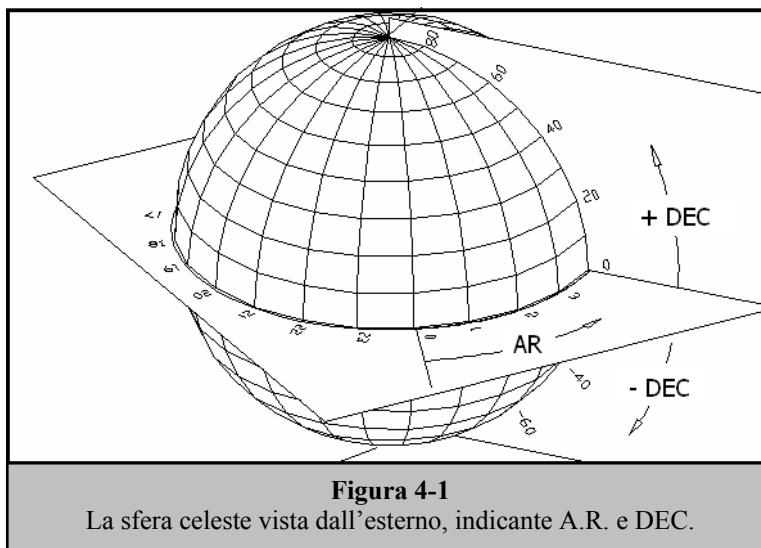
Fino a questo punto, il manuale ha descritto l'assemblaggio e il funzionamento di base del telescopio. Tuttavia, per comprendere in modo più approfondito il dispositivo, occorre acquisire conoscere alcune nozioni sul cielo notturno. Questa sezione descrive l'osservazione astronomica in generale e include informazioni sul cielo notturno e sull'allineamento polare.

Il sistema di coordinate celesti

Per riuscire a trovare gli oggetti nel cielo, gli astronomi usano un sistema di coordinate celesti simile al nostro sistema di coordinate geografiche sulla Terra. Il sistema di coordinate celesti presenta poli, linee di longitudine e latitudine ed un equatore. Per la maggior parte, queste coordinate restano fisse rispetto alle stelle di sfondo.

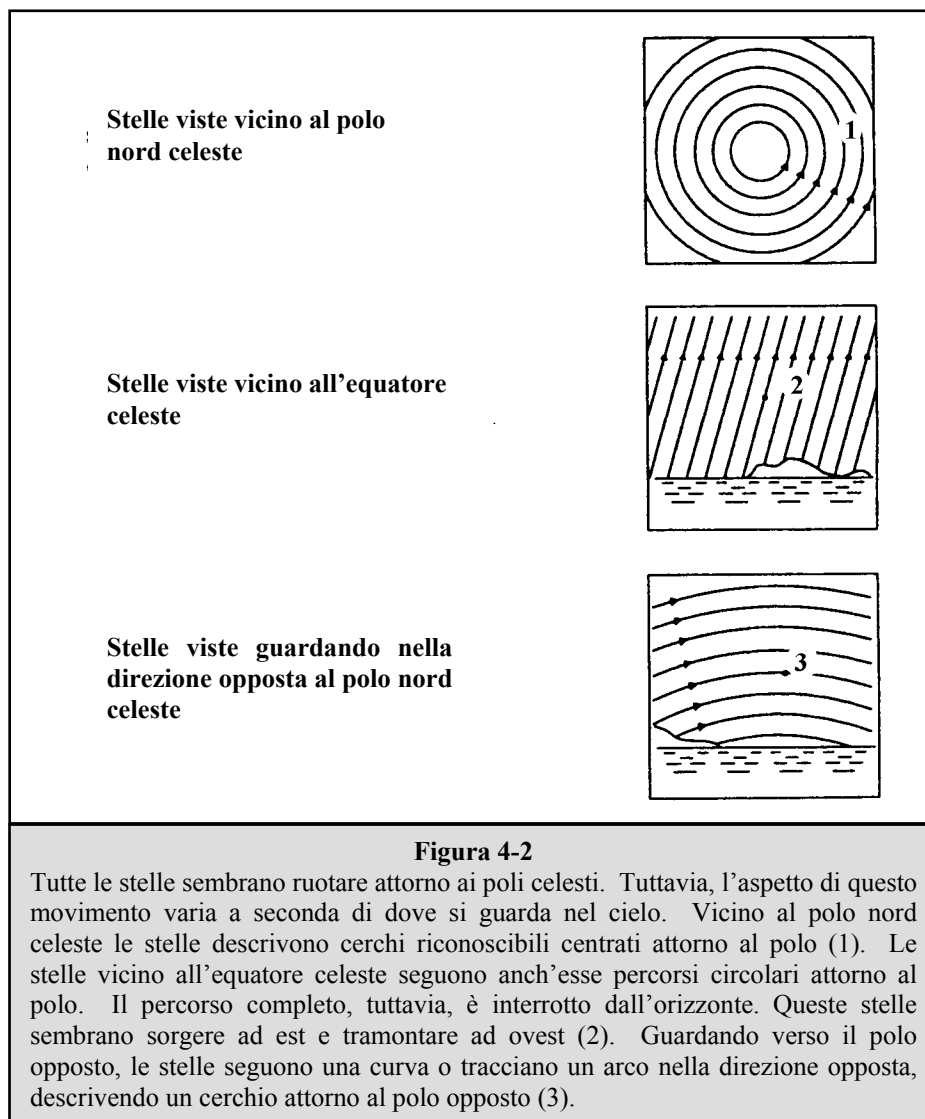
L'equatore celeste passa attorno alla Terra per 360 gradi e separa l'emisfero celeste settentrionale da quello meridionale. Come l'equatore della Terra, corrisponde a zero gradi. Sulla Terra questa sarebbe la latitudine. Tuttavia, nel cielo ci si riferisce alla latitudine come alla declinazione, abbreviata come DEC. Le linee di declinazione sono indicate in base alla loro distanza angolare sopra e sotto l'equatore celeste. Le linee vengono suddivise in gradi, minuti di arco e secondi di arco. Le letture di declinazione a sud dell'equatore riportano il segno meno (-) davanti alla coordinata, mentre quelle a nord dell'equatore celeste non hanno alcuna designazione davanti ad esse, oppure presentano un segno più (+).

L'equivalente celeste della longitudine si chiama Ascensione Retta, abbreviata come A.R. Come le linee di longitudine sulla Terra, le linee dell'Ascensione Retta vanno da un polo all'altro e sono distanziate uniformemente di 15 gradi. Sebbene le linee di longitudine siano separate da una distanza angolare, sono anche una misura di tempo. Ciascuna linea di longitudine si trova ad un'ora di distanza dalla linea successiva. Poiché la Terra compie un'intera rivoluzione ogni 24 ore, ci sono 24 linee in tutto. Di conseguenza, le coordinate di A.R. sono contrassegnate in unità di tempo. Inizia da un punto arbitrario nella costellazione dei Pesci, designato come 0 ore, 0 minuti e 0 secondi. Tutti gli altri punti sono designati in base al ritardo temporale rispetto a questa coordinata quando passa su di essi spostandosi verso ovest.



Movimento delle stelle

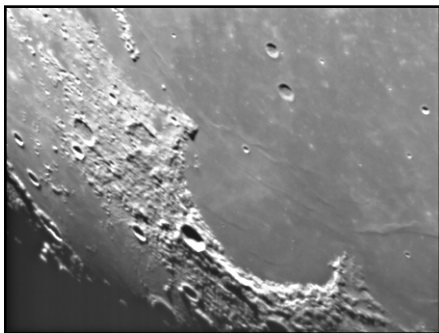
Il movimento quotidiano del sole attraverso il cielo è noto persino all'osservatore più distratto. Questo apparente percorso non è dovuto al movimento del sole, come credevano i primi astronomi, bensì è il risultato della rotazione della Terra. La rotazione della Terra causa anche un percorso nelle stelle, facendo descrivere loro un grande cerchio mentre la Terra completa una rotazione. Le dimensioni del percorso circolare seguito da una stella dipendono dalla sua posizione nel cielo. Le stelle vicine all'equatore celeste descrivono i cerchi più grandi, sorgendo a est e tramontando a ovest. Man mano che ci si sposta verso il polo nord celeste, il punto attorno al quale le stelle dell'emisfero settentrionale sembrano ruotare, questi cerchi diventano più piccoli. Le stelle che si trovano alle latitudini celesti intermedie sorgono a nord-est e tramontano a nord-ovest. Le stelle che si trovano alle alte latitudini celesti sono sempre al di sopra dell'orizzonte, e sono definite circumpolari perché non sorgono né tramontano mai. Non è possibile vedere le stelle compiere un cerchio completo, perché la luce del sole durante il giorno impedisce di vedere la luce delle stelle. Tuttavia, parte di questo movimento circolare delle stelle in questa regione del cielo può essere osservata approntando una fotocamera su un treppiedi ed aprendo l'otturatore per un paio d'ore. L'esposizione cronometrata rivelerà semicerchi centrati attorno al polo. (Questa descrizione dei movimenti stellari è applicabile anche all'emisfero meridionale, con la differenza che tutte le stelle a sud dell'equatore celeste si muovono attorno al polo sud celeste).



CELESTRON® **Osservazioni celesti**

Con il telescopio approntato, si è pronti per le osservazioni. Questa sezione offre suggerimenti per l'osservazione sia del sistema solare sia degli oggetti del cielo profondo, oltre a delineare generali condizioni di osservazione che influenzano i risultati delle osservazioni.

Osservazione della luna



È spesso una grande tentazione osservare la luna quando è piena. In questa fase lunare, la faccia che vediamo è completamente illuminata, e la sua luce può essere eccessiva. Inoltre, si può vedere un contrasto minimo o addirittura nullo.

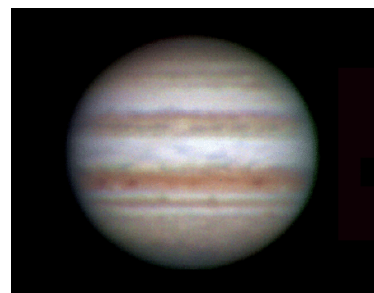
Uno dei momenti migliori per osservare la luna è durante le sue fasi parziali (quando si trova in prossimità del suo primo o del suo terzo quarto). Lunghe ombre rivelano una quantità eccezionale di dettagli sulla superficie lunare. Ad una bassa potenza, si potrà vedere in una sola volta la maggior parte del disco lunare. Si può passare ad oculari opzionali per ottenere una potenza (ingrandimento) maggiore in modo da focalizzare un'area più piccola.

Suggerimenti per l'osservazione lunare

Per aumentare il contrasto e far risaltare i dettagli sulla superficie lunare, usare i filtri opzionali. Un filtro giallo funziona bene per migliorare il contrasto, mentre un filtro polarizzante o a densità neutra riduce il riflesso e la luminosità totali della superficie.

Osservazione dei pianeti

Altri oggetti affascinanti da osservare sono i cinque pianeti visibili ad occhio nudo. Si può vedere Venere mentre passa attraverso le sue fasi simili a quelle della luna. Marte può rivelare una miriade di dettagli della superficie ed una, se non entrambe, le sue calotte polari. Si potranno vedere le cinture di nubi di Giove ed il suo grande punto rosso (se è visibile nel momento in cui si esegue l'osservazione). Inoltre, si potranno vedere anche le lune di Giove mentre orbitano attorno al pianeta gigante. Saturno, con i suoi bellissimi anelli, è facilmente visibile ad una potenza di ingrandimento moderata.



Suggerimenti per l'osservazione dei pianeti

- Tenere presente che le condizioni atmosferiche sono di solito il fattore che limita la quantità di dettagli visibili sui pianeti. Si consiglia quindi di evitare di osservare i pianeti quando si trovano bassi sull'orizzonte o quando si trovano direttamente al di sopra di una superficie che irradia calore, come il tetto di un palazzo o un camino. Consultare la sezione "Condizioni di osservazione" più avanti in questo capitolo.
- Per aumentare il contrasto e far risaltare i dettagli sulla superficie dei pianeti, si consiglia di provare a usare i filtri per oculare Celestron.

Osservazione del sole

Sebbene venga sottovalutata da molti astronomi dilettanti, l'osservazione del sole è divertente e gratificante. Tuttavia, poiché il sole è così luminoso, vanno prese speciali precauzioni quando si osserva questa nostra stella, per non danneggiare gli occhi né il telescopio.

Per osservare il sole in modo sicuro, usare un appropriato filtro solare che riduca l'intensità della sua luce. Con un filtro, si possono vedere le macchie solari mentre si spostano attraverso il disco solare, e le facole, che sono zone luminose visibili vicino ai margini del sole.

- I momenti migliori per osservare il sole sono la mattina presto o il pomeriggio tardo, quando l'aria è più fresca.
- Per centrare il sole senza guardare nell'oculare, osservare l'ombra del tubo del telescopio fino a quando non forma un'ombra circolare.

Osservazione di oggetti del cielo profondo

Gli oggetti del cielo profondo sono semplicemente quegli oggetti che si trovano oltre i confini del nostro sistema solare. Includono ammassi di stelle, nebulose planetarie, nebulose diffuse, stelle doppie e altre galassie al di fuori della nostra Via Lattea. La maggior parte degli oggetti del cielo profondo hanno una dimensione angolare. Di conseguenza, per poterli vedere occorre solo una potenza da bassa a moderata. Visivamente, sono troppo deboli per rivelare qualsiasi colore visibile nelle fotografie a lunga esposizione. Appaiono invece in bianco e nero. E, a causa della bassa luminosità della loro superficie, vanno osservati da una località in cui il cielo è molto scuro. L'inquinamento luminoso attorno alle grandi aree urbane offusca la maggior parte delle nebulose rendendole difficili, se non impossibili, da osservare. Filtri di riduzione dell'inquinamento luminoso consentono di ridurre la luminosità di fondo del cielo aumentando così il contrasto.

Saltare da una stella all'altra “Star Hopping”

Un comodo modo per trovare oggetti del cielo profondo si chiama “star hopping”, che significa letteralmente “saltare da una stella all'altra”. Lo “star hopping” viene eseguito quando l'utente impiega stelle luminose come guida ad un oggetto. Per riuscire nello “star hopping”, è utile conoscere il campo visivo del proprio telescopio. Se si sta usando l'oculare standard da 20 mm con il telescopio PowerSeeker, il campo visivo è all'incirca di 1,4°. Se si conosce un oggetto che si trova ad una distanza di 3° dalla propria attuale ubicazione, basta spostarsi di circa due volte il campo visivo. Se si usa un altro oculare, occorre consultare la sezione che spiega come determinare il campo visivo. Sotto sono riportate le istruzioni per individuare due oggetti molto richiesti.

La galassia Andromeda (Figura 5-1), nota anche come M31, è un bersaglio facile. Per trovare la M31, effettuare le seguenti operazioni:

1. Individuare la costellazione di Pegaso, un grande quadrato visibile in autunno (nel cielo orientale, spostandosi verso il punto sopra di sé) e nei mesi invernali (sopra di sé, spostandosi verso ovest).
2. Iniziare dalla stella nell'angolo nord-orientale—Alfa (α) Andromedae.
3. Spostarsi verso nord-est di circa 7°. Qui si trovano due stelle di pari lucentezza—Delta (δ) e Pi (π) Andromeda—a circa 3° di distanza l'una dall'altra.
4. Continuare nella stessa direzione di altri 8°. Qui si trovano due stelle —Beta (β) e Mu (μ) Andromedae—anch'esse ad una distanza l'una dall'altra di circa 3°.
5. Spostarsi di 3° verso nord-est—la stessa distanza presente fra le due stelle—fino ad arrivare alla galassia di Andromeda.

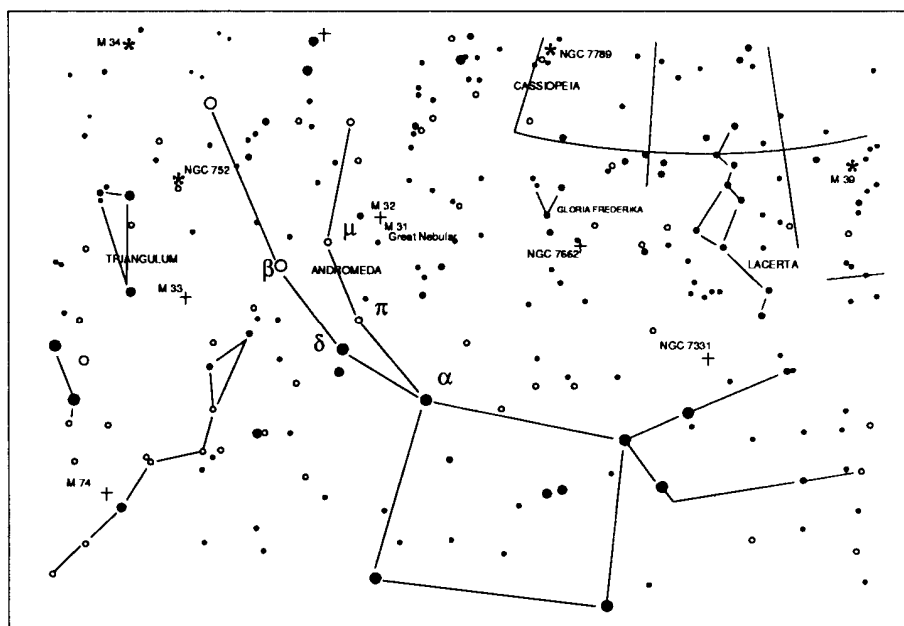


Figura 5-1

Lo “star hopping” fino alla galassia di Andromeda (M31) è semplicissimo, perché tutte le stelle necessarie per farlo sono visibili ad occhio nudo.

È necessario un po’ di esercizio per acquistare familiarità con il metodo dello “star hopping”, e gli oggetti che non hanno nelle loro vicinanze delle stelle visibili ad occhio nudo saranno difficili da trovare. Uno di questi oggetti è denominato M57 (Figura 5-2), la famosa “Ring Nebula” (nebulosa anello). Ecco come trovarla.

1. Individuare la costellazione della Lira, un piccolo parallelogramma visibile in estate e nei mesi autunnali. La Lira è facile da individuare perché contiene la stella luminosa Vega.
2. Iniziare dalla stella Vega—Alfa (α) Lyrae—e spostarsi di alcuni gradi verso sud-est per trovare il parallelogramma. Le quattro stelle che compongono questa forma geometrica sono tutte di luminosità simile, e questo le rende facili da individuare.
3. Individuare, fra le stelle che compongono il parallelogramma, quelle più a sud: Beta (β) e Gamma (γ) Lyrae.
4. Puntare su un punto a circa metà strada fra queste due stelle.
5. Spostarsi di circa $\frac{1}{2}^\circ$ verso Beta (β) Lyrae, restando su una traiettoria lineare che collega le due stelle.
6. Guardare attraverso il telescopio: la Ring Nebula dovrebbe trovarsi nel proprio campo visivo. Le dimensioni angolari della Ring Nebula sono piuttosto piccole e difficili da vedere.
7. Poiché la Ring Nebula è piuttosto tenue, potrebbe essere necessario l’uso della “visione distolta” per vederla. Quella della “visione distolta” è una tecnica che consiste nel guardare in un punto vicino all’oggetto che si sta osservando. Così, se si sta osservando la Ring Nebula, occorre centrarla nel proprio campo visivo e poi guardare leggermente di lato. Così facendo la luce proveniente dall’oggetto visualizzato cade sui bastoncini sensibili al bianco e nero degli occhi, invece che sui coni sensibili al colore. (Si ricordi che quando si osservano oggetti tenui è importante cercare di compiere l’osservazione da un luogo buio, lontano dalle luci della strada e della città. L’occhio medio richiede circa 20 minuti per adattarsi completamente all’oscurità. Quindi occorre usare sempre una torcia con filtro rosso per preservare la visione notturna adattata all’oscurità).

Questi due esempi dovrebbero dare un’idea di come “saltare da una stella all’altra” per raggiungere gli oggetti del cielo profondo. Per usare questo metodo con altri oggetti, consultare un atlante stellare e poi “saltare” fino all’oggetto scelto usando le stelle visibili ad occhio nudo.

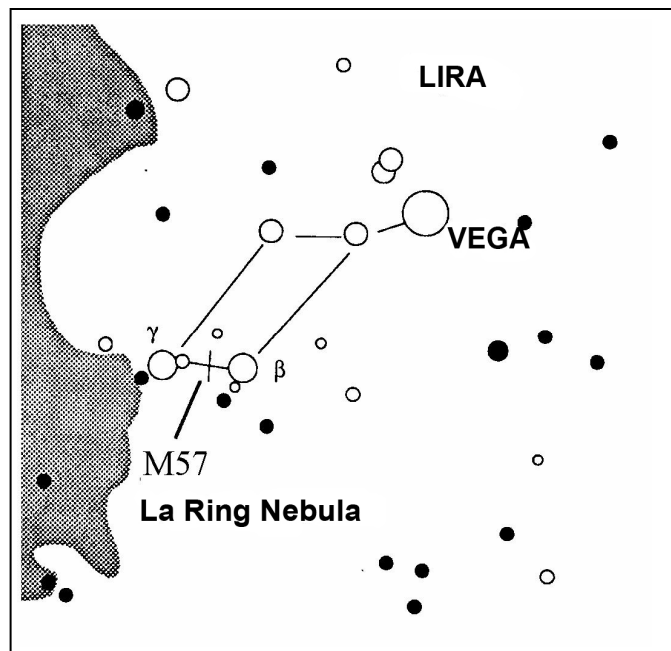


Figura 5-2

Condizioni di visibilità

Le condizioni di visualizzazione influenzano ciò che si può vedere attraverso il telescopio durante una sessione di osservazione. Tali condizioni includono limpidezza, illuminazione del cielo e visibilità. La comprensione delle condizioni di visualizzazione e dell'effetto che hanno sull'osservazione aiuterà l'utente a sfruttare al meglio il proprio telescopio.

Limpidezza

La limpidezza è la trasparenza dell'atmosfera dipendono dalle nuvole, dall'umidità e dalle altre particelle sospese nell'aria. Le spesse nuvole cumuliformi sono completamente opache, mentre i cirri possono essere sottili e permettere il passaggio della luce proveniente dalle stelle più luminose. I cieli velati assorbono più luce di quelli limpidi, rendendo più tenui gli oggetti più difficili da vedere e riducendo il contrasto degli oggetti più luminosi. Anche gli aerosol lanciati nell'atmosfera superiore dalle eruzioni vulcaniche possono avere un effetto sulla limpidezza. Le condizioni ideali sono presenti quando il cielo notturno è scuro come l'inchiostro.

Illuminazione del cielo

La generale luminosità del cielo causata dalla luna, le aurore, il riverbero notturno e l'inquinamento luminoso influiscono moltissimo sulla limpidezza. Sebbene non costituiscano un problema per i pianeti e le stelle più brillanti, i cieli luminosi riducono il contrasto delle nebulose estese rendendole difficili, se non addirittura impossibili, da vedere. Per ottimizzare la visibilità, si consiglia di limitare le osservazioni del cielo profondo alle notti senza luna, lontano dai cieli inquinati dalla luce che si trovano attorno alle principali aree urbane. I filtri LPR migliorano le osservazioni del cielo profondo eseguite in aree con inquinamento luminoso, bloccando la luce indesiderata e trasmettendo al tempo stesso la luce proveniente da determinati oggetti del cielo profondo. Si possono d'altra parte osservare pianeti e stelle anche da aree con inquinamento luminoso o in presenza della luna.

Visibilità

Le condizioni di visibilità si riferiscono alla stabilità dell'atmosfera, e influenzano direttamente la quantità di piccoli dettagli visibili negli oggetti estesi. L'aria nella nostra atmosfera agisce come una lente, che diflette e deforma i raggi di luce in arrivo. La curvatura dipende dalla densità dell'aria. Strati caratterizzati da varie temperature hanno diverse densità e, di conseguenza, la luce viene curvata in modo diverso. I raggi di luce provenienti dallo stesso oggetto arrivano leggermente spostati, creando un'immagine imperfetta o indistinta. Queste perturbazioni atmosferiche variano da momento a momento e da luogo a luogo. La dimensione delle particelle aeree rispetto all'apertura del dispositivo di osservazione determina la qualità della "visibilità". In buone condizioni di visibilità, piccoli dettagli sono visibili sui pianeti più brillanti come Giove e Marte, e le stelle sono immagini di punti nitidi. In condizioni di scarsa visibilità, le immagini sono indistinte e le stelle appaiono come chiazze.

Le condizioni qui descritte si riferiscono sia alle osservazioni visive che a quelle fotografiche.



Figura 5-3

Le condizioni di visibilità influenzano direttamente la qualità dell'immagine. Queste figure rappresentano una fonte puntiforme (ovvero una stella) in condizioni di visibilità da scarse (sinistra) a eccellenti (destra). La maggior parte delle volte, le condizioni di visibilità producono immagini comprese fra questi due estremi.



I telescopi della serie PowerSeeker sono stati concepiti per le osservazioni visive. Dopo aver guardato per qualche tempo il cielo notturno, si vorrà provare a fotografarlo. Sono possibili alcune semplici forme di fotografia con il telescopio 60AZ, 70AZ e quello 76AZ, sia in ambito terrestre che astronomico, sebbene la fotografia astronomica riesca meglio usando una montatura equatoriale o una montatura altazimutale computerizzata. Segue una breve discussione di alcuni dei metodi di fotografia disponibili; suggeriamo all'utente di effettuare ricerche su vari libri per trovare informazioni dettagliate su questo argomento.

Come minimo si richiedono una fotocamera digitale o una fotocamera SLR da 35 mm. Collegare la fotocamera al telescopio attenendosi alle seguenti indicazioni:

- Fotocamera digitale – occorre l'adattatore universale per fotocamera digitale (N. di catalogo 93626). L'adattatore permette alla fotocamera di essere montata in modo rigido, per la fotografia terrestre e per l'astrofotografia con fuoco primario.
- Fotocamera SLR da 35 mm – occorre rimuovere la lente dalla fotocamera e collegare un anello a T per il proprio modello specifico di fotocamera. Poi occorre un adattatore a T (N. di catalogo 93625) per il collegamento da un lato all'anello a T e dall'altro al tubo di messa a fuoco del telescopio. Il telescopio è diventato ora la lente della fotocamera.

Fotografia a fuoco primario con a breve tempo di esposizione

La fotografia a fuoco primario con breve tempo di esposizione è il modo migliore di iniziare a creare immagini di oggetti celesti. Viene effettuata collegando la fotocamera al telescopio come descritto nel paragrafo qui sopra. Ecco un paio di punti da tenere presenti:

- Si può acquisire un'immagine della Luna e dei pianeti più luminosi con esposizioni molto brevi. Si dovranno fare esperimenti con varie impostazioni e vari tempi di esposizione. Si possono ottenere molte informazioni leggendo il manuale di istruzioni della fotocamera, e le si possono completare con quanto si può trovare in libri dettagliati su questo soggetto.
- Se possibile, scattare le fotografie da un sito di osservazione celeste buio.
- Ricordare che si tratta solo di fotografie molto semplici. Per l'astrofotografia più seria e dettagliata occorrono una montatura equatoriale o una montatura altazimutale computerizzata.

Fotografia planetaria e lunare con speciali dispositivi per la creazione di immagini

Negli ultimi anni è stata sviluppata una nuova tecnologia che permette di acquisire splendide immagini dei pianeti e della luna in modo relativamente facile, con risultati davvero straordinari. Celestron offre il NexImage (N. di catalogo 93712), una speciale fotocamera che include un software per l'elaborazione delle immagini. Addirittura la prima sera che si esce a fare osservazioni celesti si possono catturare immagini planetarie che fanno concorrenza a quelle che i professionisti acquisivano con grandi telescopi solo pochi anni fa.

Creazione di immagini CCD per oggetti del cielo profondo

Sono state sviluppate speciali fotocamere per acquisire immagini di oggetti del cielo profondo. Queste fotocamere sono state sviluppate negli ultimi anni e sono diventate molto più economiche, permettendo ai dilettanti di acquisire immagini fantastiche. Sono stati scritti molti libri su come acquisire le migliori immagini possibili. La tecnologia continua a evolversi, lanciando sul mercato prodotti migliori e più facili da usare.

Fotografia terrestre

Il telescopio funge da eccellente teleobiettivo per la fotografia terrestre. Si possono acquisire immagini di varie vedute pittoresche, animali selvatici, natura, praticamente di tutto. Per ottenere le immagini migliori si dovrà sperimentare con la messa a fuoco, le velocità e così via. Si può adattare la fotocamera al telescopio attenendosi alle istruzioni delineate nella parte superiore di questa pagina.

CELESTRON®

Manutenzione del telescopio

Sebbene il telescopio richieda poca manutenzione, sarà bene ricordare alcune cose per assicurare le prestazioni ottimali del dispositivo.

Cura e pulizia dell'ottica

Occasionalmente, potrebbero accumularsi polvere e/o umidità sulla lente dell'obiettivo o sullo specchio primario, a seconda del tipo di telescopio in dotazione. Prestare particolare attenzione quando si pulisce qualsiasi strumento, per non danneggiarne l'ottica.

Se si è accumulata polvere sull'ottica, rimuoverla con una spazzolina (di peli di cammello) o con un contenitore di aria pressurizzata. Spruzzare l'aria in posizione angolata rispetto alla superficie del vetro, per un periodo compreso fra due e quattro secondi. Usare quindi una soluzione detergente per componenti ottici ed una salvietta di carta bianca per eliminare eventuali residui. Applicare la soluzione alla salvietta e poi usare la salvietta di carta per pulire l'ottica. I passaggi vanno applicati con una pressione leggera e devono andare dal centro della lente (o dello specchio) verso il suo esterno. **NON strofinare con movimenti circolari!**

Si può usare un detergente per lenti disponibile in commercio o si può preparare la propria miscela. Una buona soluzione detergente è composta da alcol isopropilico miscelato con acqua distillata. La soluzione dovrebbe essere per il 60% alcol isopropilico e per il 40% acqua distillata. Oppure si può usare detergente liquido per stoviglie diluito con acqua (un paio di gocce di detergente in 1 litro d'acqua).

Occasionalmente, si potrebbe riscontrare un accumulo di rugiada sull'ottica del telescopio durante una sessione di osservazione. Se si vuole continuare l'osservazione, la rugiada va rimossa, con un asciugacapelli (all'impostazione di potenza minima) o puntando il telescopio verso il terreno fino a quando la rugiada non evapora.

Se si condensa umidità all'interno dell'ottica, rimuovere gli accessori dal telescopio. Collocare quindi il telescopio in un ambiente privo di polvere e puntarlo verso il basso. Così facendo si eliminerà l'umidità dal tubo del telescopio.

Per ridurre al minimo l'esigenza di pulire il telescopio, rimettere al loro posto tutti i coperchi delle lenti non appena si finisce di usare il dispositivo. Poiché le celle NON sono sigillate, i coperchi vanno disposti sopra le aperture quando non si usa il telescopio. Così facendo si impedisce agli agenti contaminanti di penetrare nel tubo ottico.

La pulizia e le regolazioni interne vanno eseguite solo dalla divisione Celestron addetta alle riparazioni. Se il telescopio necessita di pulizia interna, si prega di chiamare il produttore per ottenere un numero di autorizzazione alle restituzioni ed una stima del prezzo richiesto per la pulizia.

Collimazione di un telescopio di Newton

Le prestazioni ottiche della maggior parte dei telescopi di Newton possono essere ottimizzate eseguendo se necessario la ricollimazione (allineamento) dell'ottica del telescopio. Collimare il telescopio significa semplicemente bilanciare i elementi ottici. Una collimazione scadente determina aberrazioni e distorsioni ottiche.

Prima di collimare il telescopio, occorre acquistare familiarità con tutti i suoi componenti. Lo specchio primario è lo specchio grande situato all'estremità posteriore del tubo del telescopio. Questo specchio viene regolato allentando e serrando le tre viti, situate a 120 gradi l'una dall'altra, che si trovano all'estremità del tubo del telescopio. Lo specchio secondario (il piccolo specchio ellittico che si trova sotto il focalizzatore, nella parte anteriore del tubo) presenta anch'esso tre viti di regolazione; per eseguire la collimazione si avrà bisogno di strumenti opzionali (descritti sotto). Per determinare se il telescopio necessita di collimazione, puntarlo innanzitutto all'esterno, verso una parete luminosa o verso il cielo azzurro.

Allineamento dello specchio secondario

La procedura che segue descrive la collimazione diurna del telescopio usando lo strumento per collimazione di Newton (N. di catalogo 94183) offerto da Celestron. Per collimare il telescopio senza lo strumento per collimazione, leggere la seguente sezione sulla collimazione notturna su una stella. Per ottenere una collimazione molto precisa, viene offerto l'oculare per collimazione da 1 ¼ pollici (N. di catalogo 94182).

Se nel focalizzatore c'è un oculare, rimuoverlo. Servendosi delle manopole di messa a fuoco, ritirare completamente il tubo del focalizzatore, fino a quando la sua parte color argento non è più visibile. Attraverso il focalizzatore si guarderà un riflesso dello specchio secondario, proiettato dallo specchio primario. Durante questo procedimento, ignorare il riflesso proiettato dallo specchio primario. Inserire il tappo di collimazione nel focalizzatore e guardare attraverso di esso. Con il fuoco retratto completamente, si dovrebbe essere in grado di vedere l'intero specchio primario riflesso nello specchio secondario. Se lo specchio primario non è centrato nel secondario, regolare le viti del secondario serrandole e allentandole alternatamente fino a quando la periferia dello specchio primario non risulta centrata nella propria visuale. NON allentare né serrare la vite centrale nel supporto dello specchio secondario, in quanto mantiene la corretta posizione dello specchio.

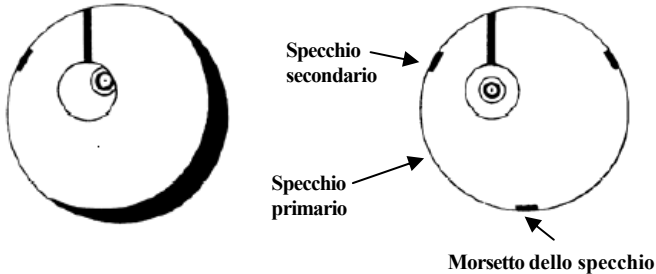
Allineamento dello specchio primario

Ora regolare le viti dello specchio primario per centrare di nuovo il riflesso del piccolo specchio secondario, in modo che se ne veda il profilo proiettato contro la vista del primario. Nel guardare nel focalizzatore, i profili proiettati degli specchi dovrebbero apparire concentrici. Ripetere i passaggi uno e due fino a quando non si ottiene questo risultato.

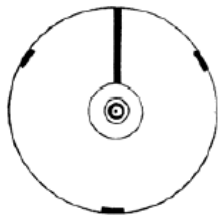
Rimuovere il tappo di collimazione e guardare nel focalizzatore; si dovrebbe vedere il riflesso del proprio occhio nello specchio secondario.

Viste di collimazione di Newton come appaiono attraverso il focalizzatore usando il tappo di collimazione

Lo specchio secondario richiede regolazione. Lo specchio primario richiede regolazione.



Entrambi gli specchi allineati con il tappo di collimazione nel focalizzatore.



Entrambi gli specchi allineati con l'occhio che guarda nel focalizzatore.

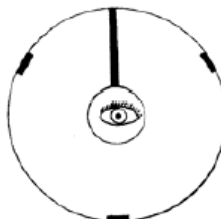


Figura 7-1 PowerSeeker 76AZ

Collimazione notturna su una stella

Dopo aver completato con successo la collimazione diurna, si può eseguire la collimazione notturna su una stella regolando precisamente lo specchio primario mentre il tubo del telescopio si trova sulla sua montatura ed è puntato su una stella luminosa. Occorre approntare il telescopio di notte e studiare l'immagine di una stella ad una potenza da media ad alta (potenza di 30-60 per pollice di apertura). Se la focalizzazione non è simmetrica, potrebbe essere possibile correggere il problema eseguendo solo la ricollimazione dello specchio primario.

Procedura (si prega di leggere nella completamente questa sezione prima di iniziare):

Per eseguire la collimazione su una stella nell'emisfero settentrionale, puntare il telescopio su una stella stazionaria, come la stella polare (Polaris). La si può trovare nel cielo settentrionale, ad una distanza sopra l'orizzonte pari alla propria latitudine. La stella polare è anche la stella terminale nel "manico" del Piccolo Carro, o Orsa Minore. Non è la stella più luminosa nel cielo, e potrebbe persino apparire tenue e indistinta, a seconda delle condizioni del cielo sovrastante la propria posizione. Per l'emisfero meridionale, puntare il telescopio sulla Sigma Octantis.

Prima di eseguire la ricollimazione dello specchio primario, individuare le viti di collimazione sul retro del tubo del telescopio. La cella posteriore (mostrata nella Figura 7-1) ha tre viti grandi, usate per la collimazione, e tre viti piccole, usate per bloccare in posizione lo specchio. Le viti di collimazione inclinano lo specchio primario. Si inizia allentando le piccole viti di bloccaggio di pochi giri ciascuna. Di solito, movimenti nell'ordine di $\frac{1}{8}$ di giro fanno già la differenza, e movimenti da circa $\frac{1}{2}$ giro a $\frac{3}{4}$ di giro sono il massimo richiesto per le grandi viti di collimazione. Girare una vite di collimazione alla volta, servendosi di un utensile o di un oculare per collimazione per verificare come il movimento influenza la collimazione (vedere il paragrafo qui sotto). Occorrerà fare alcune prove, ma prima o poi si otterrà la centratura desiderata.

Si consiglia di usare l'utensile o l'oculare per collimazione opzionali. Guardare nel focalizzatore e notare se il riflesso secondario si è spostato più vicino al centro dello specchio primario.

Tenendo la stella Polaris o un'altra stella luminosa centrata entro il campo visivo, mettere a fuoco con l'oculare standard o con l'oculare della massima potenza, cioè quello dalla lunghezza focale minima in mm, come un 6 mm o un 4 mm. Un'altra opzione è quella di usare un oculare di lunghezza focale superiore insieme ad una lente di Barlow. Quando una stella è focalizzata, dovrebbe apparire come un punto nitido di luce. Se quando si mette a fuoco la stella questa appare di forma irregolare o ai suoi bordi la luce diverge, questo significa che gli specchi non sono allineati correttamente. Se si nota che la luce divergente proveniente dalla stella resta ferma in posizione quando si entra ed esce dalla focalizzazione esatta, la ricollimazione aiuterà ad ottenere un'immagine più nitida.

Quando si è soddisfatti della collimazione, serrare le piccole viti di bloccaggio.

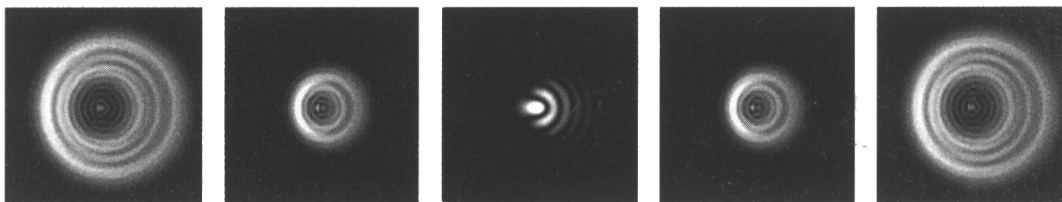


Figura 7-2

Anche se l'immagine della stella appare uguale su entrambi i lati della focalizzazione, è asimmetrica. L'ostruzione scura è spostata sul lato sinistro del modello di diffrazione, indicando una scarsa collimazione.

Notare in che direzione la luce sembra divergere. Per esempio, se la luce sembra divergere in direzione delle ore tre nel campo visivo, occorre spostare quella vite o quella combinazione di viti di collimazione che sono necessarie a spostare l'immagine della stella nella direzione della svasatura. In questo esempio, si vuole spostare l'immagine della stella nel proprio oculare, regolando le viti di collimazione, verso la posizione corrispondente alle ore tre nel campo visivo. Potrebbe essere sufficiente anche solo regolare una vite abbastanza da spostare l'immagine della stella dal centro del campo visivo fino a circa metà strada, o meno, verso il bordo del campo visivo stesso (quando si usa un oculare ad alta potenza).

Il modo migliore di eseguire le regolazioni della collimazione consiste nel visualizzare la posizione della stella nel campo visivo e nel girare al tempo stesso le viti di regolazione. In questo modo si può vedere esattamente in che direzione si verifica il movimento. Potrebbe essere utile essere in due a eseguire la collimazione: una persona che visualizza e indica quali viti girare e di quanto, e l'altra che esegue le regolazioni sulle viti.

IMPORTANTE: Dopo aver effettuato la prima regolazione, o ciascuna regolazione dopo di essa, è necessario ripuntare il tubo del telescopio per centrare di nuovo la stella nel campo visivo. Si può poi giudicare la simmetria dell'immagine della stella uscendo dalla focalizzazione esatta e rientrandovi, ed esaminando l'immagine della stella. Se vengono eseguite le giuste regolazioni, si dovrebbero notare dei miglioramenti. Poiché sono presenti tre viti, potrebbe essere necessario spostarne almeno due per ottenere il miglioramento che si desidera nell'allineamento dello specchio.

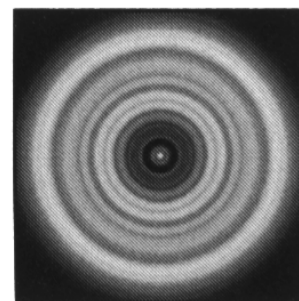


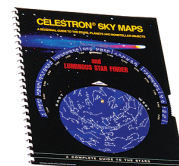
Figura 7-3

Un telescopio collimato deve produrre un'immagine di anello simmetrica simile al disco di diffrazione illustrato qui.

CELESTRON **Accessori opzionali**

Gli accessori opzionali per il telescopio PowerSeeked contribuiranno ad aumentare il piacere delle osservazioni e ne amplieranno l'utilità. Ecco una breve lista degli accessori disponibili, accompagnata da brevi descrizioni. Per un elenco di tutti gli accessori disponibili e per le loro descrizioni complete, si prega di visitare il sito Web Celestron o di consultare il Catalogo degli accessori Celestron.

Mappe celesti (N. di catalogo 93722) – Le mappe celesti Celestron sono una guida ideale per imparare a conoscere il cielo notturno. Anche se si sa già come muoversi fra le principali costellazioni, queste mappe possono aiutare a individuare molti tipi di oggetti affascinanti.



Oculari Omni Plossl – Solo per i modelli 60AZ, 70AZ e 76AZ. Questi oculari hanno prezzi economici ed offrono visualizzazioni nitidissime sull'intero campo visivo. Hanno un design di lente a 4 elementi, con le seguenti lunghezze focali: 4 mm, 6 mm, 9 mm, 12,5 mm, 15 mm, 20 mm, 25 mm, 32 mm e 40 mm – tutte in cilindri da 1,25 pollici.

Lente di Barlow Omni (N. di catalogo 93326)– Usata con qualsiasi oculare dei modelli 60AZ, 70AZ e 76AZ, ne raddoppia l'ingrandimento. Una lente di Barlow è una lente negativa che aumenta la lunghezza focale di un telescopio. La Omni con ingrandimento di 2x ha un cilindro da 1,25 pollici, una lunghezza inferiore a 76 mm (3 pollici) e pesa solo 113 g (4 once).

Filtro lunare (N. di catalogo 94119-A) – Si tratta di un economico filtro per oculare da 1,25 pollici (per i modelli 60AZ, 70AZ e 76AZ) usato per ridurre la luminosità della luna e migliorare il contrasto, in modo che si possano osservare maggiori dettagli sulla superficie lunare.



Filtro UHC/LPR da 1,25 pollici (N. di catalogo 94123) – Questo filtro è concepito per migliorare le visualizzazioni degli oggetti astronomici del cielo profondo quando si eseguono le osservazioni da aree urbane. Riduce in modo selettivo la trasmissione di certe lunghezze d'onda di luce, in modo specifico quelle prodotte dalle luci artificiali. Solo per i modelli 60AZ, 70AZ e 76AZ.

Torcia elettrica per la visione notturna (N. di catalogo 93588) – La torcia elettrica Celestron impiega due LED rossi per preservare meglio la visione notturna, rispetto ai filtri rossi e agli altri dispositivi. La luminosità è regolabile. Funziona con un'unica batteria da 9 V, in dotazione.

Strumento per collimazione (N. di catalogo 94183) – Collimare il telescopio di Newton è un gioco da ragazzi con questo pratico accessorio cui sono accluse istruzioni dettagliate.

Oculare per collimazione – 1,25 pollici (N. di catalogo 94182) – L'oculare per collimazione è ideale per eseguire la collimazione precisa dei telescopi di Newton.

Adattatore per fotocamera digitale – Universale (N. di catalogo 93626) – Una piattaforma di montaggio universale che permette la fotografia afocale (fotografia attraverso l'oculare di un telescopio) usando la fotocamera digitale.



Adattatore a T – Universale da 1,25 pollici (N. di catalogo 93625) – Questo adattatore si collega al focalizzatore da 1,25 pollici dei telescopi modello 60AZ, 70AZ e 76AZ. Permette di collegare una fotocamera SLR da 35 mm per la fotografia sia terrestre che lunare e planetaria.

| Dati tecnici del PowerSeeker | 21039 | 21041 | 21036 | 21044 |
|--|---|--|--|---|
| | PS 50AZ | PS 60AZ | PS 70AZ | PS 76AZ |
| Design ottico | Telescopio rifrattore | Telescopio rifrattore | Telescopio rifrattore | Telescopio di Newton |
| Apertura | 50 mm (2,0 pollici) | 60 mm (2,4 pollici) | 70 mm (2,8 pollici) | 76 mm (3,0 pollici) |
| Lunghezza focale | 600 mm | 700 mm | 700 mm | 700 mm |
| Rapporto focale | f/12 | f/12 | f/10 | f/9 |
| Rivestimenti ottici | Completamente rivestiti | Completamente rivestiti | Completamente rivestiti | Completamente rivestiti |
| Cannocchiale cercatore | 5x24 | 5x24 | 5 x 24 | 5x24 |
| Diagonale | Prisma diagonale stellare 0,96 pollici | Raddrizzatore d'immagine 1,25 pollici | Raddrizzatore d'immagine 1,25 pollici | N/A |
| Oculari | 20 mm 0,96 pollici (30x) | 20 mm 1,25 pollici (35x) | 20 mm 1,25 pollici (35x) | 20 mm Raddrizzatore dell'immagine 1,25 pollici (35x) |
| | 12 mm 0,96 pollici (50x) | N/A | N/A | N/A |
| | 4 mm 0,96 pollici (150x) | 4 mm 1,25 pollici (175x) | 4 mm 1,25 pollici (175x) | 4 mm 1,25 pollici (175x) |
| Campo visivo apparente -- 20 mm a 50° | | | | |
| -- 10 mm a 40° | | | | |
| Lente di Barlow – 3x | 0,96 pollici | 1,25 pollici | 1,25 pollici | 1,25 pollici |
| | Con 20 mm (90x) | Con 20 mm (105x) | Con 20 mm (105x) | Con 20 mm (105x) |
| | Con 12 mm (150x) | N/A | N/A | N/A |
| | Con 4 mm (450x) | Con 4 mm (525x) | Con 4 mm (525x) | Con 4 mm (525x) |
| Campo visivo angolare con oculare da 20 mm | 1,7° | 1,4° | 1,4° | 1,4° |
| Campo visivo lineare con oculare da 20 mm – piedi/1000 iarde | 89 | 74 | 74 | 74 |
| Montatura | Altazimutale | Altazimutale | Altazimutale | Altazimutale |
| Manopola di bloccaggio dell'altezza | Sì | Sì | Sì | Sì |
| Blocco di azimut | No | Sì | Sì | Sì |
| CD-ROM "The SkyX" (Il cielo) | Sì | Sì | Sì | Sì |
| Massimo ingrandimento utile | 120x | 142x | 165x | 180x |
| Magnitudine stellare limite | 11,1 | 11,4 | 11,7 | 11,9 |
| Risoluzione -- Raleigh (secondi d'arco) | 2,66 | 2,31 | 1,98 | 1,82 |
| Risoluzione -- Limite di Dawes " " | 2,28 | 1,93 | 1,66 | 1,53 |
| Potere di raccolta di luce | 51x | 73x | 100x | 118x |
| Lunghezza del tubo ottico | 22 pollici (56 cm) | 28 pollici (71 cm) | 30 pollici (76 cm) | 26 pollici (66 cm) |
| Peso del telescopio | 1,5 libbre (0,7 kg) | 2,0 libbre (0,9 kg) | 6 libbre (2,7 kg) | 8,5 libbre (3,9 kg) |
| Nota: le specifiche tecniche sono soggette a cambiamenti senza obbligo di notifica. | | | | |



Celestron
2835 Columbia Street
Torrance, CA 90503 U.S.A.
Tel. (310) 328-9560
Fax. (310) 212-5835
Website www.celestron.com

Copyright 2010 Celestron - All rights reserved.
Copyright 2010 Celestron - Alle Rechte vorbehalten.
Copyright 2010 Celestron - Todos los derechos reservados.
Copyright 2010 Celestron - Tous droits réservés.
Copyright 2010 Celestron - Tutti i diritti sono riservati.

(Products or instructions may change without notice or obligation.)
(Produkte oder Anleitung können ohne Mitteilung oder Verpflichtung geändert werden.)
(Los productos o instrucciones pueden cambiar sin notificación u obligación).
(Les produits ou instructions peuvent changer sans notification ou obligation).
(I prodotti e le istruzioni sono soggetti a cambiamenti senza obbligo di notifica).

| | |
|------------------------|-------------------|
| Item # 21041-INST | Printed in China |
| Artikel-Nr. 21041-INST | Gedruckt in China |
| Artículo N° 21041-INST | Impreso en China |
| Article n° 21041-INST | Imprimé en Chine |
| Articolo n. 21041-INST | Stampato in Cina |

\$10.00
01-10

REV2 052709