

# NexiusZoom (EVO)

## HIGHLIGHTS

- Binocular and trinocular heads with HWF 10x/22 mm (NexiusZoom) or HWF 10x/23 mm eyepieces (NexiusZoom EVO)
- Standard magnifications from 6.7 to 45x or 6.5 to 55x (EVO)
- Magnifications up to 180x or 220x (EVO) with auxiliary lenses
- Ergonomically designed stands
- Double 3 W LED illumination
- Large working distance
- 10 years warranty

## TECHNICAL SPECIFICATIONS

### EYEPIECES

The standard NexiusZoom is supplied with a pair of HWF 10x/22 mm eyepieces.  
The NexiusZoom EVO is supplied with a pair of HWF 10x/23 mm eyepieces

### HEAD

Binocular or trinocular heads with 45° inclined tubes. Both eyepieces with ± 5 diopter adjustments.  
Interpupillary distance adjustable between 54 mm and 75 mm

### OBJECTIVES

The standard NexiusZoom is supplied with a 1:6.7 zoom objective with 0.67x to 4.5x magnifications, a field of view from 33 mm to 4.9 mm. Working distance 110 mm. Auxiliary lenses 0.5x, 0.75x, 1.5x and 2.0x available.

The NexiusZoom EVO is supplied with a 1:8.4 zoom objective with 0.65x to 5.5x magnifications, a field of view from 35.4 mm to 4.2 mm. Working distance 110 mm. Auxiliary lenses 0.5x, 0.75x, 1.5x and 2.0x available.

*All optics are anti-fungus treated and anti-reflection coated for maximum light throughput*

### STAND

Ergonomically designed pillar or rack & pinion stand with LED illumination and 2 object clamps. Ergonomically designed universal or boom stands, without illumination. Articulated arm stand for table mounting, without illumination. Alloy metal cast, hardened off-white painted



NZ.1903-S



NZ.5302 / NZ.5303



NZ.9505

### STAGE

NEW: 180 x 155mm X-Y mechanical stage with 76 x 55mm translation stage and transparent glass plate for NexiusZoom, fixed on stage of microscope. Only available with new microscopes(due to fixing), so it has to be ordered with the purchase of a microscope (See picture: NZ.9505)

### ILLUMINATION

The 3 W transmitted and incident LED illuminators with internal power supply 100-240 V operation.  
Both illuminators can be used simultaneously and the light intensities can be adjusted separately

### PACKAGING

Supplied with power cord, dust cover, a spare fuse, user manual. All packed in a polystyrene box



NexiusZoom EVO NZ.5313

**MODELS NEXIUSZOOM 0.67-4.5 (WF10X/22MM)**

	Binocular	Trinocular	Pillar stand	Rack & pinion stand	Universal stand	Boom stand	Articulated arm stand	Weight(kg)
NZ.1902-P	•		•					5.0
NZ.1902-S	•			•				4.9
NZ.1902-U	•				•			15.6
NZ.1902-B	•					•		22.1
NZ.1902-A	•						•	8.6
NZ.1903-P		•	•					5.2
NZ.1903-S		•		•				5.1
NZ.1903-U		•			•			15.7
NZ.1903-B		•				•		22.2
NZ.1903-A		•					•	8.7

**MODELS NEXIUSZOOM EVO 0.65-5.5 (WF10X/23MM)**

	Binocular	Trinocular	Pillar stand	Rack & pinion stand	Universal stand	Boom stand	Articulated arm stand	Weight (kg)
NZ.1702-P	•		•					5.0
NZ.1702-S	•			•				4.9
NZ.1702-U	•				•			15.6
NZ.1702-B	•					•		22.1
NZ.1702-A	•						•	8.6
NZ.1703-P		•	•					5.2
NZ.1703-S		•		•				5.1
NZ.1703-U		•			•			15.7
NZ.1703-B		•				•		22.2
NZ.1703-A		•					•	8.7

**MAGNIFICATIONS**
**NexiusZoom standard** Working distance and field of view with standard HWF 10x / 22 High Wide Field eyepieces

Zoom indication	Objective 1x (standard) Working distance 110 mm		Auxiliary lens 0.5x Working distance 165 mm		Auxiliary lens 0.75x Working distance 120 mm		Auxiliary lens 1.5x Working distance 45 mm		Auxiliary lens 2x Working distance 30 mm	
	Total Magnifications	Field of view in mm	Total Magnifications	Field of view in mm	Total Magnifications	Field of view in mm	Total Magnifications	Field of view in mm	Total Magnifications	Field of view in mm
0.67	6.7	32.8	3.35	65.7	5.0	43.8	10.1	21.9	13.4	16.4
0.7	7.0	31.4	3.5	62.9	5.3	41.9	10.5	21.0	14.0	15.7
0.8	8.0	27.5	4.0	55.0	6.0	36.7	12.0	18.3	16.0	13.8
1.0	10.0	22.0	5.0	44.0	7.5	29.3	15.0	14.7	20.0	11.0
1.5	15.0	14.7	7.5	29.3	11.3	19.6	22.5	9.8	30.0	7.3
2.0	20.0	11.0	10.0	22.0	15.0	14.7	30.0	7.3	40.0	5.5
3.0	30.0	7.3	15.0	14.7	22.5	9.8	45.0	4.9	60.0	3.7
4.0	40.0	5.5	20.0	11.0	30.0	7.3	60.0	3.7	80.0	2.8
4.5	45.0	4.9	22.5	9.8	33.8	6.5	67.5	3.3	90.0	2.4

**NexiusZoom EVO** Working distance and field of view with standard HWF 10x / 23 High Wide Field eyepieces

Zoom indication	Objective 1x (standard) Working distance 110 mm		Auxiliary lens 0.5x Working distance 165 mm		Auxiliary lens 0.75x Working distance 120 mm		Auxiliary lens 1.5x Working distance 45 mm		Auxiliary lens 2x Working distance 30 mm	
	Total Magnifications	Field of view in mm	Total Magnifications	Field of view in mm	Total Magnifications	Field of view in mm	Total Magnifications	Field of view in mm	Total Magnifications	Field of view in mm
0.65	6.5	35.4	3.25	70.8	4.9	47.2	9.8	23.6	13.0	17.7
0.7	7.0	32.9	3.5	65.7	5.3	43.4	10.5	21.9	14.0	16.4
0.8	8.0	28.8	4.0	57.5	6.0	38.3	12.0	19.2	16.0	14.4
1.0	10.0	23.0	5.0	46.0	7.5	30.7	15.0	15.3	20.0	11.5
1.5	15.0	15.3	7.5	30.7	11.3	20.4	22.5	10.2	30.0	7.7
2.0	20.0	11.5	10.0	23.0	15.0	15.3	30.0	7.7	40.0	5.8
3.0	30.0	7.7	15.0	15.3	22.5	10.2	45.0	5.1	60.0	3.8
4.0	40.0	5.8	20.0	11.5	30.0	7.7	60.0	3.8	80.0	2.9
4.5	45.0	5.1	22.5	10.2	33.8	6.8	67.5	3.4	90.0	2.6
5.5	55.0	4.2	27.5	8.4	41.3	5.6	82.5	2.8	110	2.1



NZ.1902-U



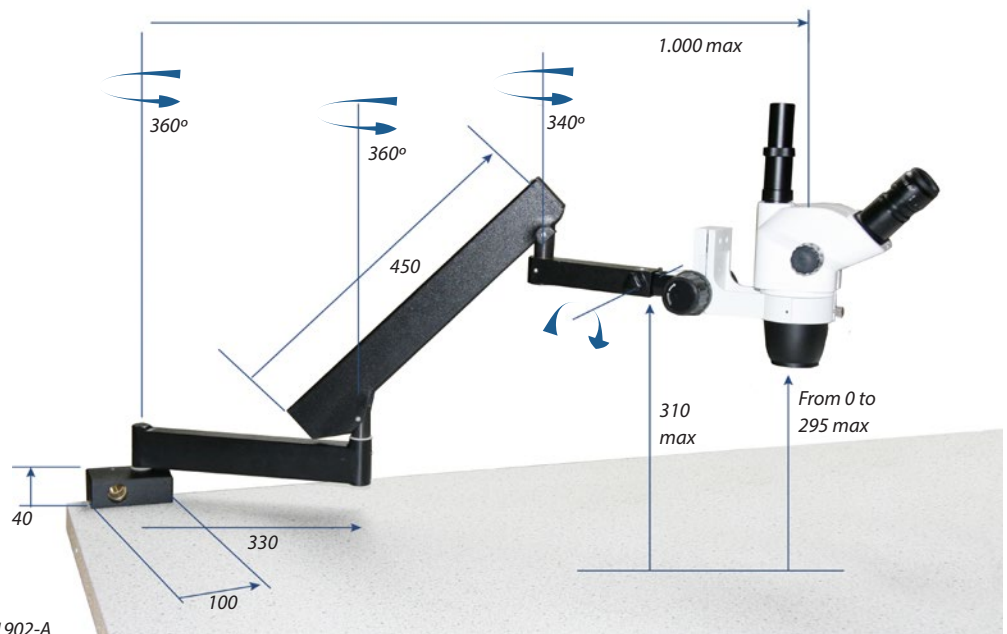
NZ.1902-P



NZ.1903-B



NZ.1902-S




NZ.1902-A


**ESD SAFE MODELS**

	Binocular	Trinocular	Pillar stand	Rack & pinion stand	Universal stand	Boom stand	Articulated arm stand	Antistatic ESD	Weight (kg)
NZ.1902-P-ESD	•		•					•	5.0
NZ.1902-S-ESD	•			•				•	4.9
NZ.1902-U-ESD	•				•			•	15.6
NZ.1902-B-ESD	•					•		•	22.1
NZ.1903-P-ESD		•	•					•	5.3
NZ.1903-S-ESD		•		•				•	5.1
NZ.1903-U-ESD		•			•			•	15.7
NZ.1903-B-ESD		•				•		•	22.2



NZ.1903-P-ESD 

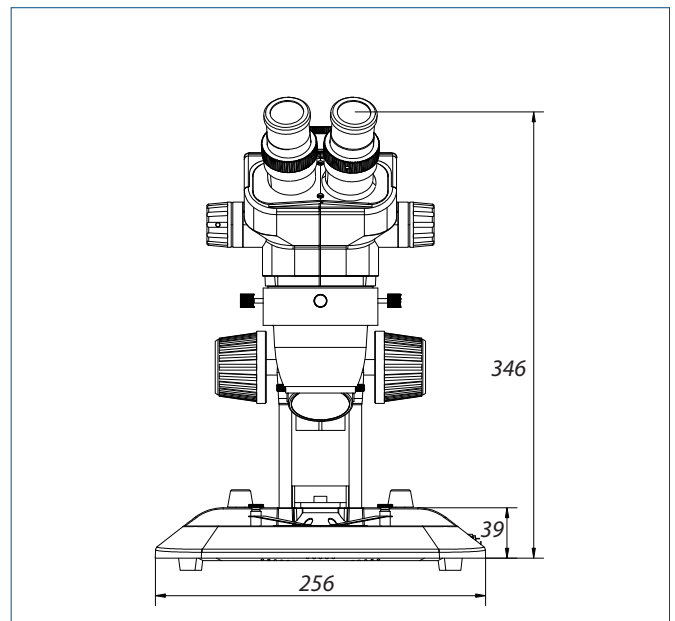
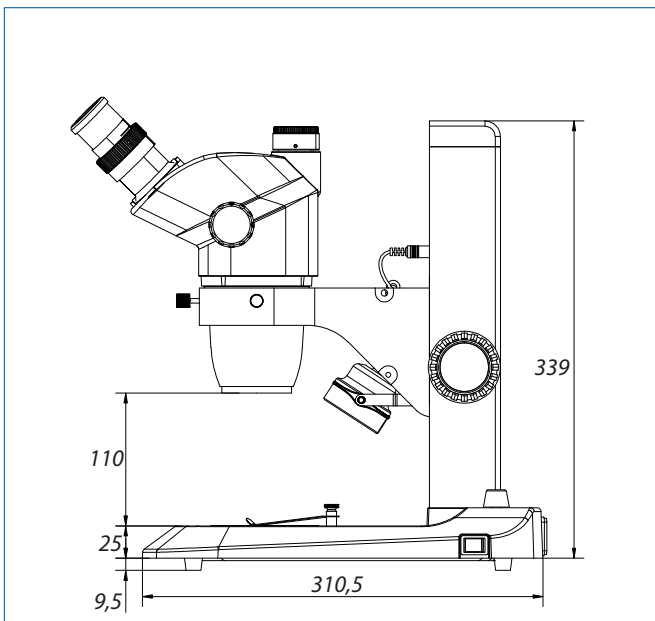


NZ.1903-S-ESD 



NZ.1903-U-ESD 

**DIMENSIONS**



## ACCESSORIES AND SPARE PARTS

- NZ.5302** NexiusZoom binocular head with eyepieces  
**NZ.5303** NexiusZoom trinocular head with eyepieces  
**NZ.5312** NexiusZoom EVO binocular head with eyepieces  
**NZ.5313** NexiusZoom EVO trinocular head with eyepieces
- NZ.6010** Pair of HWF 10x / 22 mm eyepieces  
**NZ.6015** Pair of HWF 15x / 16 mm eyepieces  
**NZ.6020** Pair of HWF 20x / 12 mm eyepieces  
**NZ.6110** HWF 10x / 22 mm eyepiece with micrometer  
**NZ.6210** Pair of HWF 10x / 23 mm eyepieces (only suitable for the EVO)
- NZ.6099** Pair of eyecups
- NZ.8903** Auxiliary lens 0.3x (not suitable for NZ.1902-S, NZ.1903-S, NZ.1902-S-ESD and NZ.1903-S-ESD)  
**NZ.8905** Auxiliary lens 0.5x. Working distance 165 mm (not suitable for NZ.1902-S and NZ.1903-S)  
**NZ.8907** Auxiliary lens 0.75x. Working distance 120 mm  
**NZ.8915** Auxiliary lens 1.5x. Working distance 45 mm  
**NZ.8920** Auxiliary lens 2.0x. Working distance 30 mm (not suitable for NZ.1902-S and NZ.1903-S)  
**NZ.8950** Protection glass for NexiusZoom head
- NZ.9010** Ergonomic rack & pinion stand with transmitted and incident LED illuminators  
**NZ.9015** Ergonomic pillar stand with transmitted and incident LED illuminators  
**NZ.9020** Universal (single arm) stand without NexiusZoom head holder  
**NZ.9030** Boom (double arm) stand without NexiusZoom head holder  
**NZ.9090** NexiusZoom head holder (for NZ.9020 and NZ. 9030)  
**NZ.9025** Articulated arm stand with table clamp | (without NexiusZoom head holder)  
**NZ.9081** NexiusZoom head holder (for articulated arm stand NZ.9025)
- NZ.9520** Polarization kit for NexiusZoom: 360° rotatable round stage with built-in polarization filter (NZ.9524) + analyzer in mount to be screwed under head (NZ.9525)  
**NZ.9524** 360° rotatable round stage with built-in polarization filter for NexiusZoom  
**NZ.9525** 360° rotatable analyser in mount to be screwed under head of NexiusZoom
- AE.5168-NZ** Heating stage with PID controller up to 50oC  
**NZ.9950** Standard opaque stage plate  
**NZ.9956** Black/white stage plate  
**NZ.9570** Pair of object clamps for stage  
**NZ.9572** Adjustable GEM object clamp for NexiusZoom (EVO)
- NZ.9833** C-mount adapter with 0.33x lens for 1/3" cameras (suitable for trinocular models)  
**NZ.9850** C-mount adapter with 0.5x lens for 1/2" cameras (suitable for trinocular models)
- 50.876** Dark field attachment
- AE.5130** Universal SLR camera adapter with 2x projection lens for 23.2 mm tubes. Need T2 adapter  
**AE.5020** T2 adapter for Nikon D digital SLR cameras  
**AE.5040** T2 adapter for Canon EOS digital SLR cameras Other T2 adapters on request
- LE.1974** Ring illuminator with 72 LEDs with adjustable light intensity. External mains adapter 100-240 V. With segment controller. Brightness of 21.000 Lux at height of 100 mm and color temperature of 6.500K. Mounting diameter between 25-61 mm  
**LE.1973** Ring illuminator with 144 LEDs with adjustable light intensity. External mains adapter 100-240 V. With segment controller. Brightness of 23.000 Lux at height of 100 mm and color temperature of 6.500K. Mounting diameter between 25-61 mm  
**AE.1112** Object micrometer 50 mm (divided in 500 parts on glass slide 76 x 26 mm)